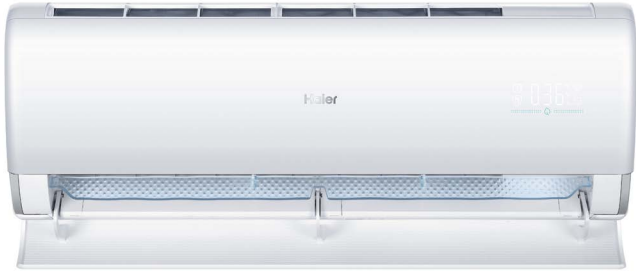


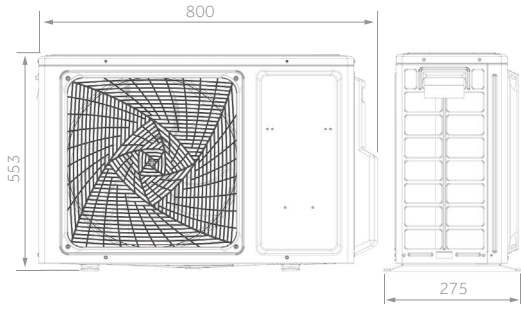
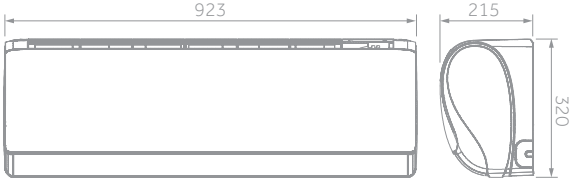
# JADE SUPERMATCH



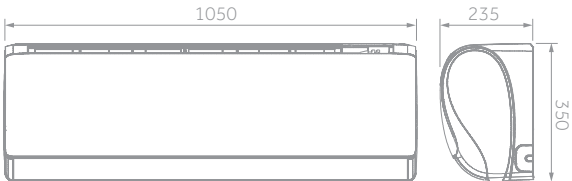
AS25 - AS35



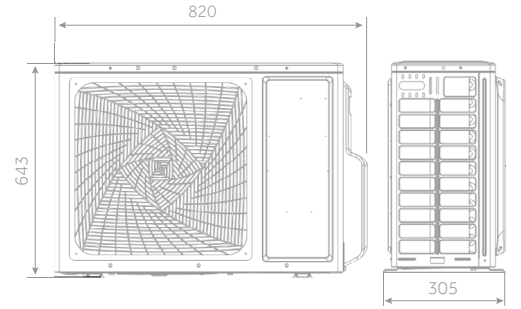
1U25 - 1U35



AS50



1U50



2,5 kW

3,5 kW

5,0 kW

# JADE SUPERMATCH

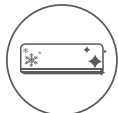
2,5 kW

3,5 kW

5,0 kW



PM 2.5 Detection



Self Clean

Precise  
Dehumidification

Silence

Wi-Fi control  
integrated

I Feel



3D



Eco Sensor



Puri Clean

- PM 2,5 detection
- Self-Clean
- Precise dehumidification
- Low noise level
- Wi-Fi control integrated
- Easy installation
- 3D airflow: continuous movement of horizontal and vertical deflectors
- Eco Sensor
- Puri Clean

| INDOOR UNIT                                     | Model         |                     | AS25S2SJ1FA-3     | AS35S2SJ1FA-3     | AS50S2SJ1FA-3     |
|---|---------------|---------------------|-------------------|-------------------|-------------------|
| OUTDOOR UNIT                                    | Model         |                     | 1U25MECFRA-3      | 1U35MECFRA-3      | 1U50S2SJ2FA-2     |
| <b>Performance data</b>                         |               |                     |                   |                   |                   |
| Output power - COOLING                          | nom (min-max) | kW                  | 2,60 (1,00-4,00)  | 3,50 (1,00-4,00)  | 5,20 (1,40-6,00)  |
| Output power - HEATING                          | nom (min-max) | kW                  | 3,20 (1,10-5,40)  | 4,20 (1,30-5,80)  | 6,00 (1,40-6,90)  |
| Absorbed power - COOLING                        | nom (min-max) | kW                  | 0,577 (0,30-1,25) | 0,795 (0,30-1,35) | 1,413 (0,30-2,10) |
| Absorbed power - HEATING                        | nom (min-max) | kW                  | 0,666 (0,30-1,85) | 0,893 (0,30-1,85) | 1,500 (0,30-2,35) |
| Energy class                                    | EER           | W/W                 | 4,50              | 4,40              | 3,68              |
|   | COP           | W/W                 | 4,80              | 4,70              | 4,00              |
| COOLING Pdesign                                 | 35 °C         | kW                  | 2,60              | 3,50              | 5,20              |
| HEATING Pdesign                                 | (-10 °C)      | kW                  | 2,60              | 2,65              | 4,60              |
| Energy class                                    | SEER          |                     | 8,75 (A+++)       | 8,75 (A+++)       | 7,50 (A++)        |
|   | SCOP          |                     | 5,10 (A+++)       | 5,10 (A+++)       | 4,60 (A++)        |
| Annual Energy Consumption - COOLING             |               | kWh/a               | 104               | 140               | 243               |
| Annual Energy Consumption - HEATING             |               | kWh/a               | 714               | 727               | 1400              |
| <b>Indoor Unit</b>                              |               |                     |                   |                   |                   |
| Power supply                                    |               | Ph/V/Hz             | 1/220-240/50      | 1/220-240/50      | 1/220-240/50      |
| Treated air volume                              | H             | m <sup>3</sup> /h   | 550               | 600               | 900               |
| Dehumidification                                |               | L/h                 | 1,2               | 1,6               | 2,0               |
| High sound power - COOLING                      |               | dB                  | 56                | 57                | 57                |
| High sound power - HEATING                      |               | dB                  | 56                | 57                | 57                |
| Sound pressure - COOLING                        |               | dB(A)               | 36/32/29/15       | 37/33/30/16       | 41/37/33/28       |
| Sound pressure - HEATING                        |               | dB(A)               | 36/32/29/15       | 37/33/30/16       | 41/37/33/28       |
| Net dimensions                                  | WxDxH         | mm                  | 923x215x320       | 923x215x320       | 1050x235x350      |
| Packaging dimensions                            | WxDxH         | mm                  | 1032x318x418      | 1032x318x418      | 1160x347x455      |
| Net/gross weight                                |               | kg                  | 12,0/15,2         | 12,0/15,2         | 14,9/18,9         |
| <b>Outdoor Unit</b>                             |               |                     |                   |                   |                   |
| Power supply                                    |               | Ph/V/Hz             | 1/220-240/50      | 1/220-240/50      | 1/220-240/50      |
| Power cable                                     |               | N x mm <sup>2</sup> | 3 x 1,5           | 3 x 1,5           | 3 x 2,5           |
| Interconnection cable                           |               | N x mm <sup>2</sup> | 4 x 1,0           | 4 x 1,0           | 4 x 1,0           |
| Sound power                                     | H             | dB                  | 61                | 62                | 63                |
| Sound pressure                                  | H             | dB(A)               | 48                | 49                | 50                |
| Running current cooling/heating                 | Max           | A                   | 8,0/8,0           | 8,0/8,0           | 10,68/10,68       |
| Starting current cooling/heating                | Max           | A                   | 1,5/1,5           | 1,5/1,5           | 2,0/2,0           |
| Net dimensions                                  | WxDxH         | mm                  | 800x275x553       | 800x275x553       | 820x305x643       |
| Packaging dimensions                            | WxDxH         | mm                  | 902x375x607       | 902x375x607       | 940x390x697       |
| Net/gross weight                                |               | kg                  | 29,8/33,6         | 29,8/33,6         | 35,7/38,5         |
| Compressor type                                 |               |                     | Rotary Inverter   | Rotary Inverter   | Rotary Inverter   |
| <b>Installation data</b>                        |               |                     |                   |                   |                   |
| Refrigerant                                     |               |                     | R32               | R32               | R32               |
| Liquid pipe                                     | ∅             | mm (inch)           | 6,35 (1/4)        | 6,35 (1/4)        | 6,35 (1/4)        |
| Gas pipe  | ∅             | mm (inch)           | 9,52 (3/8)        | 9,52 (3/8)        | 12,70 (1/2)       |
| Standard pipe length without refrigerant charge |               | m                   | 7                 | 7                 | 7                 |
| Maximum pipe length                             |               | m                   | 20                | 20                | 25                |
| Maximum IU - OU elevation                       |               | m                   | 10                | 10                | 15                |
| Refrigerant charge in the factory               |               | kg                  | 0,74              | 0,74              | 1,1               |
| Refrigerant charge in the factory               |               | TCO <sub>2</sub> eq | 0,50              | 0,50              | 0,74              |
| Additional ref. charge over std length          |               | g/m                 | 20                | 20                | 20                |
| Operating limits - COOLING (in/out)             | min-max       | °C                  | 21~35°C/-10~43°C  |                   | 21~-35°C/-20~43°C |
| Operating limits - HEATING (in/out)             | min-max       | °C                  | 10~27°C/-20~24°C  |                   | 10~27°C/-20~24°C  |

The data in this catalogue is purely indicative as the data may vary. Please be advised to check the accuracy of the data with the supplier before purchasing products.