



SERVICING

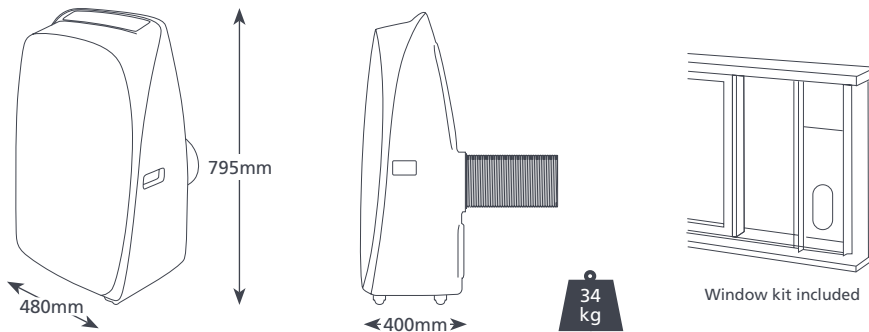
portable air conditioning unit



A portable AC unit with airflow adjustment, sleep & eco settings and a timer mode, meaning you can keep at a comfortable temperature wherever you are!

KEY FEATURES

- Cooling/heating and cooling models
- Heating*, Cooling, Auto, Fan and Dehumidify
- Large Colour Digital Display
- Remote control
- Sleep, Eco and Timer modes
- Airflow adjustment
- Auto restart
- Infra red remote control
- Discharge hose with window & wall kit
- Self evaporating condensate system



SPECIFICATIONS	
Cooling capacity	12,000Btu/h – 3.5kW
Heating capacity	9,700Btu/h – 3.3kW*
Power supply	230v 50 Hz 6A
Temperature range	16-35°C
Sound level	62dB(A)
Power cable	1.9m with plug
Flexi outlet tube	135mm i/d, 147mm o/d, 1.8m length

* Heating model only

OPTIONS	
Description	Part No.
Cooling only (UK)	AX3000/1
Cooling & Heating (UK)	AX3005/1
Cooling only (EU)	AX3001/1
Cooling & Heating (EU)	AX3006/1

