



Housing: Die-Cast Aluminum, Painted Black
 Blade: Thermoplastic PBT, UL 94V-0
 Insulation Resistance: 100M Ω , 500VDC/min between bare wire and frame
 Dielectric Strength: 1500VAC for one minute
 Operation Temperature: -10°C-70°C(Humidity 35%-85%RH)
 Storage Temperature: -40°C-85°C(Humidity 35%-85%RH)
 Motor Protection: Impedance Protected
 Weight: 370 g

AC AXIAL FAN
 120x120x25mm

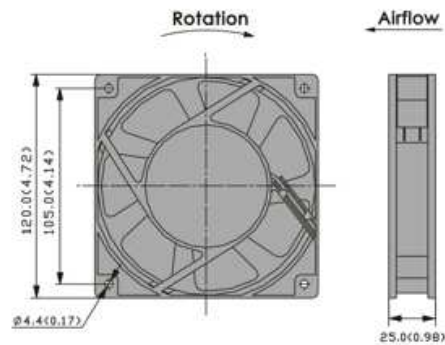
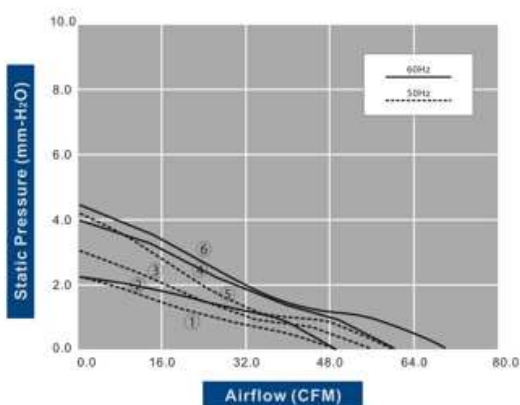


SS

Model Number	Voltage (VAC)	Frequency (Hz)	AirFlow (CFM)	Stat.Pres. (mm-H ₂ O)	Noise (dBA)	Speed (RPM)	Current (mA)	Power (W)	Available Bearing	Curves
FA1225B11T3-61	115	50/60	50.8/50.8	2.2/2.2	30.5/30.5	1,800/1,800	90/90	9/8	B,5	①/②
FA1225B11T5-61	115	50/60	55.8/60.9	3.0/3.8	32.5/33.5	2,000/2,200	130/130	11/10	B,5	③/④
FA1225B11T7-61	115	50/60	59.9/69.0	4.1/4.4	33.5/38.4	2,150/2,450	170/170	14/13	B,5	⑤/⑥
FA1225B22T3-61	230	50/60	50.8/50.8	2.2/2.2	30.5/30.5	1,800/1,800	50/50	9/8	B,5	①/②
FA1225B22T5-61	230	50/60	55.8/60.9	3.0/3.8	32.5/33.5	2,000/2,200	60/60	11/10	B,5	③/④
FA1225B22T7-61	230	50/60	59.5/69.0	4.1/4.4	33.5/38.4	2,150/2,450	70/70	14/13	B,5	⑤/⑥

- For "Sleeve" bearing version, change the "B" in the model number to "S".
- For "Wire Lead" version, change the "T" in the model number to "W".

Specifications are subject to change without notice



unit: mm(inch)