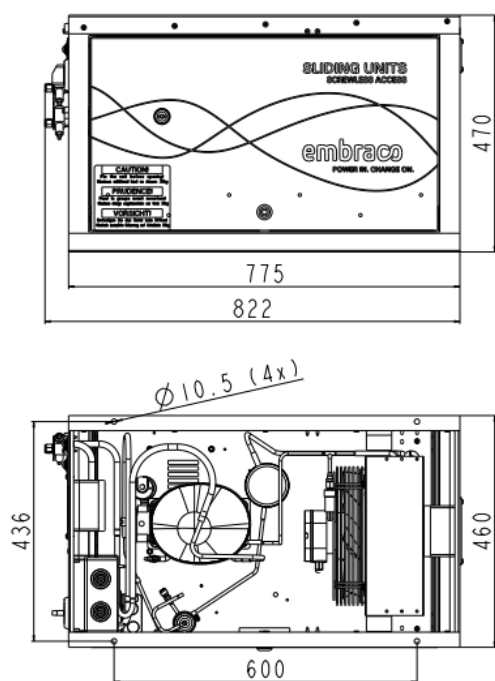


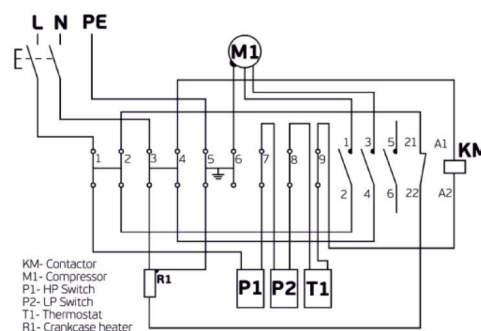
GENERAL DATA

| | |
|-----------------------------|------------------|
| Application: | M/HBP |
| Refrigerant: | R134a |
| Expansion Device: | C-V |
| Weight: | 66 kg |
| Receiver: | 1.1 liter |
| Voltage/Frequency: | 220 - 240 V 50 ~ |
| Height: | 66 mm |
| Length: | 822 mm |
| Width: | 460 mm |
| Institute Approvals: | CE |

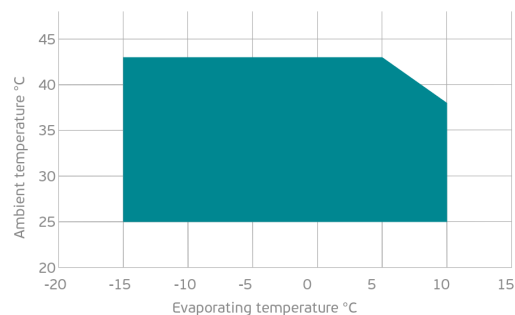
EXTERNAL DIMENSIONS



WIRING DIAGRAM



OPERATING ENVELOPE



COMPONENTS (SPARE PARTS)

| | | | | | |
|---------------------|------------------------------|--------------|---------------------|-------------------------|------------|
| condenser: | 3R11T | 2451206 | lpressostat: | PS1-A3K | 2466036 |
| dryer: | FILTER DRYER 6MM ODF | 2730006 | sightglass: | SIGHT GLASS 6MM ODF | 2464031 |
| compressor: | NEK6212Z | 269AA51...AM | elkit: | ELKOM NEK6212Z | 269AA51N1A |
| valve_suca: | SOLDER 3/8" | 2110119 | valve_disch: | SOLDER 1/4" | 2110120 |
| heater: | CRANKCASE HEATER 230V/40W | 2464205 | flexihose: | FLEXI HOSE 10MM ODF | 2464241 |
| hpressostat: | P100CP-102D | 2466033 | fankit: | AXIAL FAN 230V/50HZ/1PH | 1996726 |

For additional accessories please contact our technical support

ELECTRICAL DATA

Motor Type: CSIR -
Locked Rotor Amperage (RLA): 19.5 A
Max.Current: 3.78 A

At maximum evaporating temperature and maximum ambient temperature.

FAN MOTOR

Number: 1 -
Shaft Power: - W
Air Flow: 840 m³/hod
Blade Diameter: 250 mm

PERFORMANCE CURVE DATA

Standard: EN13215_RG20 / return gas 20°C, subcooling 3K

50 Hz

| | Evaporating Temperature (°C) | Cooling Capacity (W) | Power Consumption (W) | Current Consumption (A) | Efficiency (W) |
|------------------------------------|------------------------------|----------------------|-----------------------|-------------------------|----------------|
| 25°C Ambient Temperature | 10°C | 1 460 | 646 | 3.86 | 2.26 |
| | 5°C | 1 253 | 582 | 3.63 | 2.15 |
| | 0°C | 1 063 | 524 | 3.44 | 2.03 |
| | -5°C | 888 | 471 | 3.28 | 1.88 |
| | Rated point -10°C | 730 | 425 | 3.15 | 1.72 |
| | -15°C | 589 | 384 | 3.06 | 1.53 |
| 32°C Ambient Temperature | 10°C | 1 328 | 666 | 3.98 | 1.99 |
| | 5°C | 1 139 | 600 | 3.75 | 1.90 |
| | 0°C | 965 | 540 | 3.55 | 1.79 |
| | -5°C | 807 | 486 | 3.38 | 1.66 |
| | Rated point -10°C | 664 | 438 | 3.25 | 1.52 |
| | -15°C | 536 | 396 | 3.16 | 1.35 |
| 43°C Ambient Temperature | 5°C | 958 | 651 | 3.91 | 1.47 |
| | 0°C | 807 | 583 | 3.67 | 1.38 |
| | -5°C | 668 | 522 | 3.48 | 1.28 |
| | Rated point -10°C | 544 | 467 | 3.32 | 1.17 |
| | -15°C | 433 | 419 | 3.19 | 1.03 |