

FLEXIS PLUS



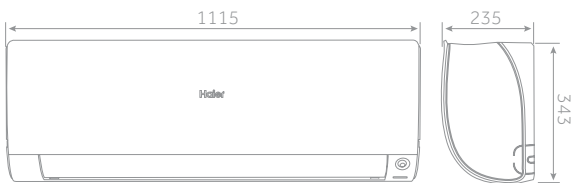
AS25 - AS35 - AS42



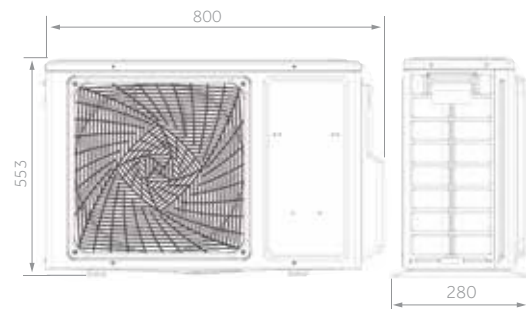
AS50



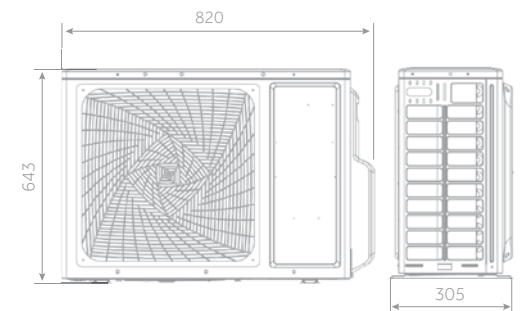
AS71



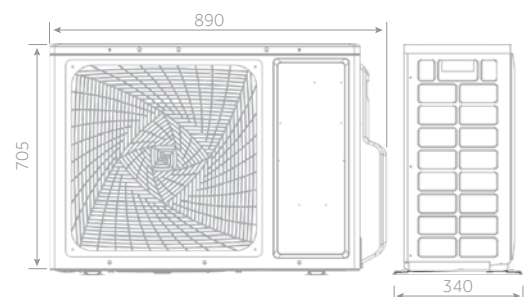
1U25 - 1U35 - 1U42



1U50

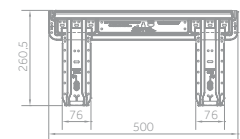


1U71

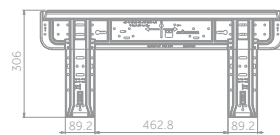


MOUNTING DIMENSIONS

AS25-AS35-AS42-AS50



AS71



2,5 kW - 4,2 kW

5,0 kW

7,1 kW

FLEXIS PLUS

Haier

A+++ / A++

2,6 kW

3,5 kW

5,2 kW

7,0 kW



Standard HQ-HJ



- Self-Clean
- Eco sensor
- Easy installation
- Low noise level
- Integrated Wi-Fi control
- 56°C Steri-Clean
- 3D airflow: continuous movement of horizontal and vertical deflectors
- Heating cable w/Nordic version
- UVC Sterilisation



INDOOR UNIT BLACK	Model	AS25S2SF1FA-MB3	AS35S2SF1FA-MB3	AS50S2SF1FA-MB3	AS71S2SF1FA-MB3	
INDOOR UNIT WHITE	Model	AS25S2SF1FA-MW3	AS35S2SF1FA-MW3	AS50S2SF1FA-MW3	AS71S2SF1FA-MW3	
OUTDOOR UNIT STANDARD	Model	1U25S2SM1FA-2	1U35S2SM1FA-2	1U50S2SJ2FA-2	1U71S2ST1FA	
OUTDOOR UNIT NORDIC	Model	1U25MEHFRA-1	1U35MEHFRA-1	1U50KEFRA-1	-	
Performance data						
Output power - COOLING	nom (min-max)	kW	2,60 (0,80-3,20)	3,50 (1,00-4,00)	5,20 (1,40-6,00)	7,00 (2,20-7,50)
Output power - HEATING	nom (min-max)	kW	3,20 (0,80-4,20)	4,20 (1,00-5,20)	6,00 (1,40-6,90)	8,00 (2,40-8,50)
Absorbed power - COOLING	nom (min-max)	kW	0,650 (0,20-1,20)	0,870 (0,30-1,50)	1,413 (0,50-2,00)	2,167 (0,70-2,50)
Absorbed power - HEATING	nom (min-max)	kW	0,800 (0,30-1,50)	1,102 (0,50-1,60)	1,500 (0,52-2,35)	2,156 (0,70-2,90)
Energy class	EER	W/W	4,00	4,00	3,60	3,23
	COP	W/W	4,00	3,81	4,00	3,71
COOLING Pdesign	35 °C	kW	2,60	3,50	5,20	7,00
HEATING Pdesign	(-10 °C)	kW	2,40	2,80	4,60	5,60
Energy class	SEER		8,50 (A+++)	8,50 (A+++)	7,20 (A++)	7,10 (A++)
	SCOP		4,60 (A++)	4,60 (A++)	4,60 (A++)	4,00 (A+)
Annual Energy Consumption - COOLING		kWh/a	107	144	253	345
Annual Energy Consumption - HEATING		kWh/a	731	854	1400	1959
Indoor Unit						
Power supply		Ph/V/Hz	1/220-240/50	1/220-240/50	1/220-240/50	1/220-240/50
Treated air volume	H	m ³ /h	600	650	900	1100
Dehumidification		L/h	1,2	1,6	2,0	2,8
High sound power - COOLING		dB	53	55	57	60
High sound power - HEATING		dB	53	55	57	60
Sound pressure - COOLING		dB(A)	38/32/25/16	39/33/26/17	45/41/37/28	47/43/37/33
Sound pressure - HEATING		dB(A)	38/32/25/19	39/33/26/20	45/41/37/28	47/43/37/33
Net dimensions	WxDxH	mm	856x197x300	856x197x300	999x225x323	1115x235x343
Packaging dimensions	WxDxH	mm	952x283x389	952x283x389	1100x314x420	1202x319x432
Net/gross weight		kg	9,5/12,0	9,5/12,0	12,0/15,0	15,2/18,2
Outdoor Unit						
Power supply		Ph/V/Hz	1/220-240/50	1/220-240/50	1/220-240/50	1/220-240/50
Power cable		N x mm ²	3 x 1,5	3 x 1,5	3 x 2,5	3 x 2,5
Interconnection cable		N x mm ²	4 x 1,0	4 x 1,0	4 x 1,0	4 x 1,0
Sound power	H	dB	59	61	63	70
Sound pressure	H	dB(A)	47	48	51	57
Running current cooling/heating	Max	A	6,8/6,8	7,2/7,2	10,68/10,68	13,0/13,0
Starting current cooling/heating	Max	A	1,5/1,5	1,5/1,5	2,0/2,0	2,0/2,0
Net dimensions	WxDxH	mm	800x280x553	800x280x553	820x305x643	890x340x705
Packaging dimensions	WxDxH	mm	902x375x614	902x375x614	940x390x697	1046x460x780
Net/gross weight		kg	27,6/30,4	30,0/32,9	37,8/40,5	45,0/50,0
Compressor type			Rotary inverter	Rotary inverter	Twin rotary inverter	Twin rotary inverter
Installation data						
Refrigerant			R32	R32	R32	R32
Liquid pipe	∅	mm (inch)	6,35 (1/4)	6,35 (1/4)	6,35 (1/4)	9,52 (3/8)
Gas pipe	∅	mm (inch)	9,52 (3/8)	9,52 (3/8)	12,70 (1/2)	15,88 (5/8)
Standard pipe length without refrigerant charge		m	7	7	7	7
Maximum pipe length		m	20	20	25	50
Maximum IU - OU elevation		m	10	10	15	30
Refrigerant charge in the factory		kg	0,63	0,78	1,10	1,30
Refrigerant charge in the factory		TCO ₂ eq	0,43	0,53	0,74	0,88
Additional ref. charge over std length		g/m	20	20	20	45
Operating limits - COOLING (in/out)	min-max	°C	21-35/-20-43			
Operating limits - HEATING (in/out)	min-max	°C	10-27/-20-24			

The data in this catalogue is purely indicative as the data may vary. Please be advised to check the accuracy of the data with the supplier before purchasing products.

2,0 kW

2,5 kW

3,5 kW

4,2 kW

5,0 kW

7,1 kW



Standard HQ-HJ



Silence



Eco Sensor



Integrated Wi-Fi control



3D



Easy Installation



UVC Sterilisation



I Feel

- Low noise level
- Dual motion sensor
- Integrated Wi-Fi control
- 3D airflow: continuous movement of horizontal and vertical deflectors

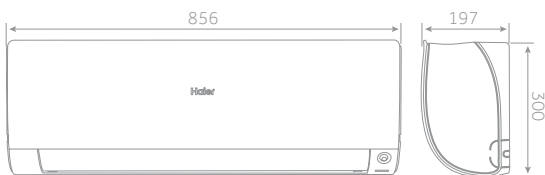
- Easy installation
- UVC Sterilisation
- I Feel



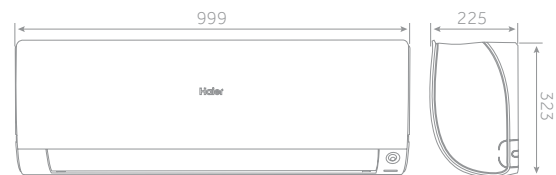
Indoor Unit	Model	AS20S2SF1FA-MW3		AS25S2SF1FA-MW3		AS35S2SF1FA-MW3		AS50S2SF1FA-MW3		AS71S2SF1FA-MW3	
		AS20S2SF1FA-MB3		AS25S2SF1FA-MB3		AS35S2SF1FA-MB3		AS50S2SF1FA-MB3		AS71S2SF1FA-MB3	
Performance data											
Output power - COOLING	nom (min-max)	kW	2,00	2,60 (0,80-3,20)	3,50 (1,00-4,00)	5,20 (1,40-6,00)	7,00 (2,20-7,50)				
Output power - HEATING	nom (min-max)	kW	2,50	3,20 (0,80-4,20)	4,20 (1,00-5,20)	6,00 (1,40-6,90)	8,00 (2,40-8,50)				
Power supply		Ph/V/Hz	1/220-240/50		1/220-240/50		1/220-240/50		1/220-240/50		1/220-240/50
Interconnection cable			4 x 1,0		4 x 1,0		4 x 1,0		4 x 1,0		4 x 1,0
Treated air volume	H	m3/h	600	600	650	900	1100				
Indoor Unit											
High sound power - COOLING		dB	53	53	55	57	60				
High sound power - HEATING		dB	53	53	55	57	60				
Sound pressure - COOLING		dB(A)	38/32/25/16	38/32/25/16	39/33/26/17	45/41/37/28	47/43/37/33				
Sound pressure -HEATING		dB(A)	38/32/25/19	38/32/25/19	39/33/26/20	45/41/37/28	47/43/37/33				
Net dimensions	WxDxH	mm	856x197x300	856x197x300	856x197x300	999x225x323	1115x235x343				
Packaging dimensions	WxDxH	mm	952x283x389	952x283x389	952x283x389	1100x314x420	1202x319x432				
Net/gross weight		kg	9,5/12,0	9,5/12,0	9,5/12,0	12,0/15,0	15,2/18,2				
Installation data											
Liquid pipe	Ø	mm	6,35 (1/4)	6,35 (1/4)	6,35 (1/4)	6,35 (1/4)	9,52 (3/8)				
Gas pipe	Ø	mm	9,52 (3/8)	9,52 (3/8)	9,52 (3/8)	12,70 (1/2)	15,88 (5/8)				
Control											
Standard	Remote control		HQ-HJ	HQ-HJ	HQ-HJ	HQ-HJ	HQ-HJ				

AS20 - AS25 - AS35 - AS42

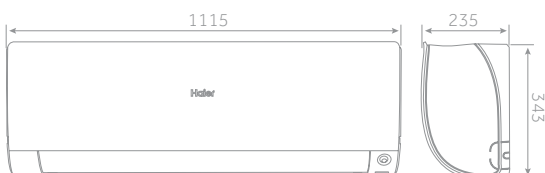
AS50



AS71



MOUNTING DIMENSIONS



AS20-AS25-AS35-AS42-AS50

AS71

