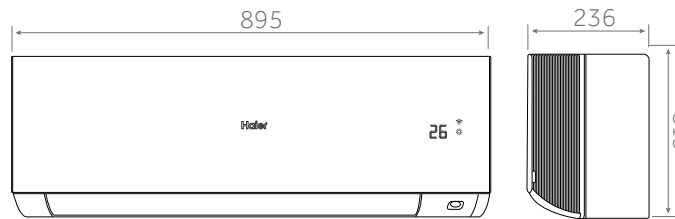




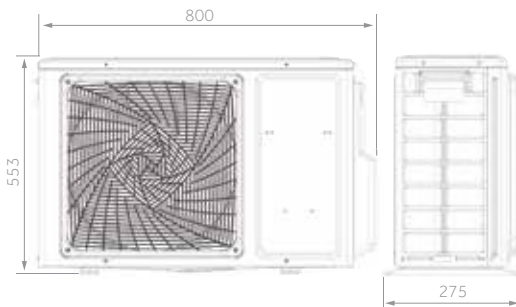
reddot winner 2022



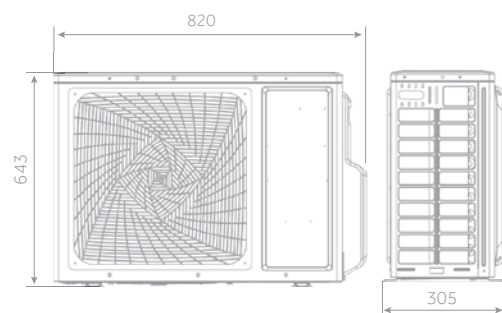
AS25 - AS35 - AS50 - AS71



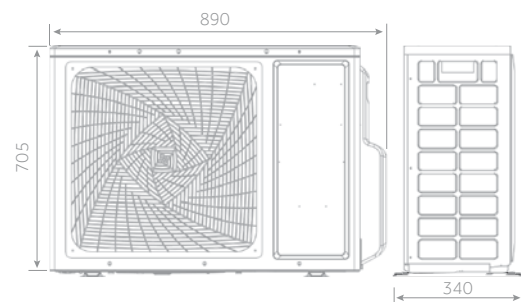
1U25 - 1U35



1U50



1U71



2,5 kW - 3,5 kW

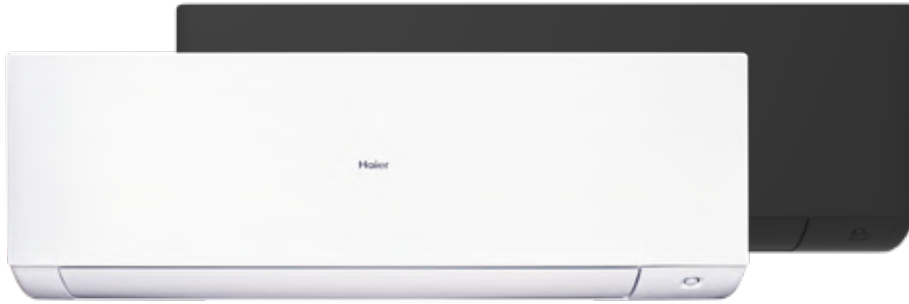
5,0 kW

7,1 kW

EXPERT ^{NEW}

Haier

MONOSPLIT



A+++ / A++

2,8 kW

3,5 kW

5,0 kW

7,1 kW



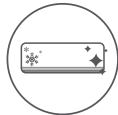
Standard HR-HJ



Easy Installation



I Feel



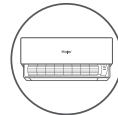
Self Clean



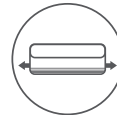
Eco Sensor



Integrated Wi-Fi Control



Easy to Disassemble



2-Way Piping Design



UVC Pro

- Easy Installation
- I Feel
- Self-Clean
- Eco Sensor
- Integrated Wi-Fi control
- Easy to Clean
- 2-Way Pipe Design
- UVC Pro
- 3D airflow: continuous movement of horizontal and vertical deflectors



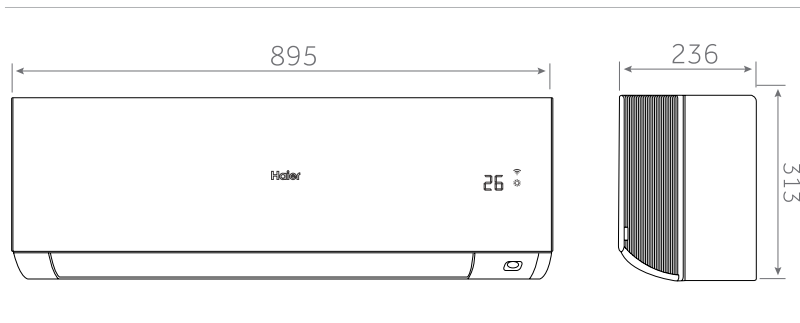
| INDOOR UNIT WHITE | Model | | AS25XCAHRA | AS35XCAHRA | AS50XCAHRA | AS71XCAHRA |
|---|---------------|---------------------|-------------------|-------------------|----------------------|----------------------|
| INDOOR UNIT BLACK | Model | | AS25XCAHRA-MB | AS35XCAHRA-MB | AS50XCAHRA-MB | AS71XCAHRA-MB |
| OUTDOOR UNIT | Model | | 1U25S2SM1FA-2 | 1U35S2SM1FA-2 | 1U50S2SJ2FA-2 | 1U71S2ST1FA |
| Performance data | | | | | | |
| Output power - COOLING | nom (min-max) | kW | 2,80 (0,80-3,20) | 3,50 (1,00-4,00) | 5,00 (1,40-5,50) | 6,20(2,20-7,00) |
| Output power - HEATING | nom (min-max) | kW | 3,20 (0,80-4,20) | 4,20 (1,00-5,20) | 5,60 (1,70-6,20) | 6,80(2,40-7,80) |
| Absorbed power - COOLING | nom (min-max) | kW | 0,651 (0,20-1,20) | 0,875 (0,30-1,40) | 1,470 (0,50-2,00) | 1,92(0,70-2,60) |
| Absorbed power - HEATING | nom (min-max) | kW | 0,761 (0,30-1,50) | 1,037 (0,50-1,60) | 1,509 (0,52-2,30) | 1,83(0,60-2,90) |
| Energy class | EER | W/W | 4,30 | 4,00 | 3,40 | 3,23 |
| | COP | W/W | 4,20 | 4,05 | 4,00 | 3,71 |
| COOLING Pdesign | 35 °C | kW | 2,80 | 3,50 | 5,00 | 6,20 |
| HEATING Pdesign | (-10 °C) | kW | 2,50 | 2,80 | 4,60 | 5,60 |
| Energy class | SEER | | 8,80 (A+++) | 8,50 (A+++) | 6,60 (A++) | 6,80 (A++) |
| | SCOP | | 4,75 (A++) | 4,75 (A++) | 4,60 (A++) | 4,00 (A+) |
| Annual Energy Consumption - COOLING | | kWh/a | 111 | 144 | 265 | 320 |
| Annual Energy Consumption - HEATING | | kWh/a | 737 | 825 | 1400 | 1960 |
| Indoor Unit | | | | | | |
| Power supply | | Ph/V/Hz | 1/220-240/50 | 1/220-240/50 | 1/220-240/50 | 1/220-240/50 |
| Treated air volume | H | m ³ /h | 730 | 800 | 880 | 920 |
| Dehumidification | | L/h | 1,2 | 1,6 | 2,0 | 2,8 |
| High sound power - COOLING | | dB | 56 | 57 | 60 | 65 |
| High sound power - HEATING | | dB | 56 | 57 | 60 | 65 |
| Sound pressure - COOLING | | dB(A) | 39/32/25/16 | 40/33/26/17 | 45/37/29/20 | 47/45/37/29 |
| Sound pressure - HEATING | | dB(A) | 39/32/25/16 | 40/33/26/17 | 45/37/29/20 | 47/45/37/29 |
| Net dimensions | WxDxH | mm | 895x236x313 | 895x236x313 | 895x236x313 | 895x313x236 |
| Packaging dimensions | WxDxH | mm | 964x386x316 | 964x386x316 | 964x386x316 | 964x386x316 |
| Net/gross weight | | kg | 11,3/14,0 | 11,3/14,0 | 11,6/14,2 | 12,4/14,8 |
| Outdoor Unit | | | | | | |
| Power supply | | Ph/V/Hz | 1/220-240/50 | 1/220-240/50 | 1/220-240/50 | 1/220-240/50 |
| Power cable | | N x mm ² | 3 x 1,5 | 3 x 1,5 | 3 x 2,5 | 3 x 2,5 |
| Interconnection cable | | N x mm ² | 4 x 1,0 | 4 x 1,0 | 4 x 1,0 | 4 x 1,0 |
| Sound power | H | dB | 59 | 63 | 63 | 68 |
| Sound pressure | H | dB(A) | 48 | 49 | 50 | 53 |
| Running current cooling/heating | Max | A | 6,8/6,8 | 7,2/7,2 | 10,68/10,68 | 11,8/13 |
| Starting current cooling/heating | Max | A | 1,5/1,5 | 1,5/1,5 | 2,0/2,0 | 2,0/2,0 |
| Net dimensions | WxDxH | mm | 800x275x553 | 800x275x553 | 820x305x643 | 890x340x705 |
| Packaging dimensions | WxDxH | mm | 902x375x607 | 902x375x607 | 940x390x697 | 1046x460x780 |
| Net/gross weight | | kg | 27,6/30,4 | 30/32,9 | 35,7/38,5 | 44/48 |
| Compressor type | | | Rotary Inverter | Rotary Inverter | Twin rotary inverter | Twin rotary inverter |
| Installation data | | | | | | |
| Refrigerant | | | R32 | R32 | R32 | R32 |
| Liquid pipe | ∅ | mm (inch) | 6,35 (1/4) | 6,35 (1/4) | 6,35 (1/4) | 9,52 (3/8) |
| Gas pipe | ∅ | mm (inch) | 9,52 (3/8) | 9,52 (3/8) | 12,70 (1/2) | 15,88(5/8) |
| Standard pipe length without refrigerant charge | | m | 7 | 7 | 7 | 7 |
| Maximum pipe length | | m | 20 | 20 | 25 | 50 |
| Maximum IU - OU elevation | | m | 10 | 10 | 15 | 30 |
| Refrigerant charge in the factory | | kg | 0,63 | 0,78 | 1,10 | 1,23 |
| Refrigerant charge in the factory | | TCO2eq | 0,43 | 0,53 | 0,74 | 0,83 |
| Additional ref. charge over std length | | g/m | 20 | 20 | 20 | 20 |
| Operating limits - COOLING (in/out) | min-max | °C | 21-35/-20-43 | | | |
| Operating limits - HEATING (in/out) | min-max | °C | 10-27/-20-24 | | | |

The data in this catalogue is purely indicative as the data may vary. Please be advised to check the accuracy of the data with the supplier before purchasing products.

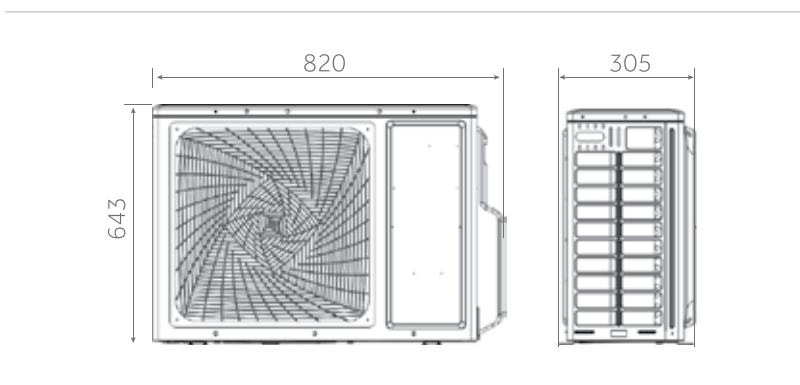
EXPERT NORDIC



AS25 - AS35



1U25 - 1U35



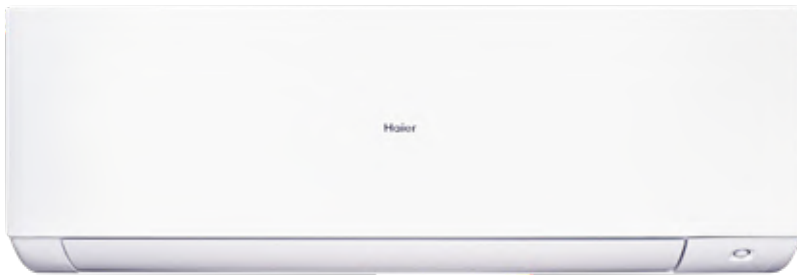
2,5 kW - 3,5kW

EXPERT NORDIC

Haier

2,5 kW

3,5 kW



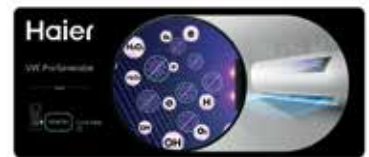
A+++ / A+++



Standard HQ-HJ



- I Feel
- Self-Clean
- Eco Sensor
- Integrated Wi-Fi control
- Easy to Clean
- UVC Pro
- -30°C Heating
- Freeze-Prevention Technology
- Compressor preheating technology



| INDOOR UNIT | Model | | AS25XCHHRA-NR | AS35XCHHRA-NR |
|---|---------------|---------------------|-------------------|-------------------|
| OUTDOOR UNIT | Model | | 1U25KEHFRA-NR | 1U35KEHFRA-NR |
| Performance data | | | | |
| Output power - COOLING | nom (min-max) | kW | 2,6 (1,00-3,50) | 3,5 (1,00-4,40) |
| Output power - HEATING | nom (min-max) | kW | 3,20 (1,00-7,40) | 4,20 (1,30-7,90) |
| Absorbed power - COOLING | nom (min-max) | kW | 0,577 (0,30-1,14) | 0,823 (0,40-1,21) |
| Absorbed power - HEATING | nom (min-max) | kW | 0,761 (0,40-2,40) | 1,000 (0,40-2,40) |
| Energy class | EER | W/W | 4,50 | 4,25 |
| | COP | W/W | 4,50 | 4,25 |
| COOLING Pdesign | 35 °C | kW | 2,60 | 3,50 |
| HEATING Pdesign | (-10 °C) | kW | 3,00 | 3,60 |
| Energy class | SEER | | 8,50 (A+++) | 8,50 (A+++) |
| | SCOP | | 5,10 (A+++) | 5,10 (A+++) |
| Annual Energy Consumption - COOLING | | kWh/a | 107 | 144 |
| Annual Energy Consumption - HEATING | | kWh/a | 824 | 988 |
| Indoor Unit | | | | |
| Power supply | | Ph/V/Hz | 1/230/50 | 1/230/50 |
| Treated air volume | H | m ³ /h | 750 | 810 |
| Dehumidification | | L/h | 1,2 | 1,6 |
| High sound power - COOLING | | dB | 55 | 56 |
| High sound power - HEATING | | dB | 55 | 56 |
| Sound pressure - COOLING | | dB(A) | 42/32/24/18 | 43/33/24/18 |
| Sound pressure -HEATING | | dB(A) | 42/32/24/18 | 43/33/24/18 |
| Net dimensions | WxDxH | mm | 895x236x313 | 895x236x313 |
| Packaging dimensions | WxDxH | mm | 964x386x316 | 964x386x316 |
| Net/gross weight | | kg | 12,4/14,8 | 12,4/14,8 |
| Outdoor Unit | | | | |
| Power supply | | Ph/V/Hz | 1/230/50 | 1/230/50 |
| Power cable | | N x mm ² | 3 x 1,5 | 3 x 1,5 |
| Interconnection cable | | N x mm ² | 4 x 1,0 | 4 x 1,0 |
| Sound power | H | dB | 62 | 63 |
| Sound pressure | H | dB(A) | 55 | 56 |
| Running current cooling/heating | Max | A | 10,9/10,9 | 11,36/11,36 |
| Starting current cooling/heating | Max | A | 1,5/1,5 | 1,5/1,5 |
| Net dimensions | WxDxH | mm | 820x305x643 | 820x305x643 |
| Packaging dimensions | WxDxH | mm | 940x390x697 | 940x390x697 |
| Net/gross weight | | kg | 35,7/38,5 | 35,7/38,5 |
| Compressor type | | | Rotary Inverter | Rotary Inverter |
| Installation data | | | | |
| Refrigerant | | | R32 | R32 |
| Liquid pipe | ∅ | mm (inch) | 6,35 (1/4) | 6,35 (1/4) |
| Gas pipe | ∅ | mm (inch) | 9,52 (3/8) | 9,52 (3/8) |
| Standard pipe length without refrigerant charge | | m | 7 | 7 |
| Maximum pipe length | | m | 20 | 20 |
| Maximum IU - OU elevation | | m | 10 | 10 |
| Refrigerant charge in the factory | | kg | 1,1 | 1,1 |
| Refrigerant charge in the factory | | TCO ₂ eq | 0,743 | 0,743 |
| Additional ref. charge over std length | | g/m | 20 | 20 |
| Operating limits - COOLING (in/out) | min-max | °C | 21-35/-20-43 | |
| Operating limits - HEATING (in/out) | min-max | °C | 10-27/-30-24 | |

The data in this catalogue is purely indicative as the data may vary. Please be advised to check the accuracy of the data with the supplier before purchasing products.

EXPERT NEW



2,0 kW

2,5 kW

3,5 kW

5,0 kW

7,1 kW



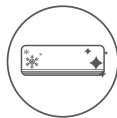
Standard HQ-HJ



Easy Installation



I Feel



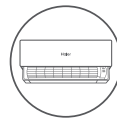
Self Clean



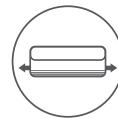
Coanda Plus



Eco Sensor



Easy to Disassemble



2-Way Piping Design

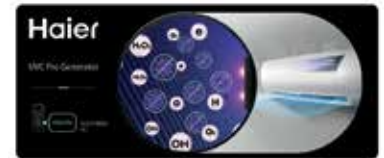


UVC Pro



Integrated Wi-Fi Control

- Easy Installation
- I Feel
- Self-Clean (Only Dual)
- Eco Sensor
- On-Off Card
- 2-Way Pipe Design
- UVC Pro
- Integrated Wi-Fi control



| Indoor Unit | Model | AS20XCAHRA | | AS25XCAHRA | | AS35XCAHRA | | AS50XCAHRA | | AS71XCAHRA | |
|----------------------------|----------------|------------|--------------|------------------|------------------|------------------|----------------|------------|--|------------|--|
| | | | | | | | | | | | |
| Performance data | | | | | | | | | | | |
| Output power - COOLING | nom (min-max) | kW | 2,00 | 2,80 (0,80-3,20) | 3,50 (1,00-4,00) | 5,00 (1,40-5,50) | 6,2(2,20-7,0) | | | | |
| Output power - HEATING | nom (min-max) | kW | 2,50 | 3,20 (0,80-4,20) | 4,20 (1,00-5,20) | 5,60 (1,70-6,20) | 6,8(2,40-7,80) | | | | |
| Power supply | | Ph/V/Hz | 1/220-240/50 | 1/220-240/50 | 1/220-240/50 | 1/220-240/50 | 1/220-240/50 | | | | |
| Interconnection cable | | | 4 x 1,0 | 4 x 1,0 | 4 x 1,0 | 4 x 1,0 | 4 x 1,0 | | | | |
| Treated air volume | H | m3/h | 730 | 730 | 800 | 880 | 920 | | | | |
| Indoor Unit | | | | | | | | | | | |
| High sound power - COOLING | | dB | 56 | 56 | 57 | 60 | 65 | | | | |
| High sound power - HEATING | | dB | 56 | 56 | 57 | 60 | 65 | | | | |
| Sound pressure - COOLING | | dB(A) | 39/32/25/16 | 39/32/25/16 | 40/33/26/17 | 45/37/29/20 | 47/45/37/29 | | | | |
| Sound pressure - HEATING | | dB(A) | 39/32/25/16 | 39/32/25/16 | 40/33/26/17 | 45/37/29/20 | 47/45/37/29 | | | | |
| Net dimensions | WxDxH | mm | 895x313x236 | 895x313x236 | 895x313x236 | 895x313x236 | 895/236/313 | | | | |
| Packaging dimensions | WxDxH | mm | 964x386x316 | 964x386x316 | 964x386x316 | 964x386x316 | 949/298/371 | | | | |
| Net/gross weight | | kg | 11,3/14,0 | 11,3/14,0 | 11,3/14,0 | 11,6/14,2 | 12,4/14,8 | | | | |
| Installation data | | | | | | | | | | | |
| Liquid pipe | Ø | mm | 6,35 (1/4) | 6,35 (1/4) | 6,35 (1/4) | 6,35 (1/4) | 9,52 (3/8) | | | | |
| Gas pipe | Ø | mm | 9,52 (3/8) | 9,52 (3/8) | 9,52 (3/8) | 12,70 (1/2) | 15,88 (5/8) | | | | |
| Control | | | | | | | | | | | |
| Standard | Remote control | | HQ-HJ | HQ-HJ | HQ-HJ | HQ-HJ | HQ-HJ | | | | |

AS20 - AS25 - AS35 - AS50 - AS71

