



pCO^{XS}

pCO^{XS}: a new star in the "pCO sistema" family

The pCO^{XS} came about because of the need to provide the functions of the "pCO sistema" programmable controller family to all those applications that were covered only by parametric controllers until now. Thanks to this new controller, the control software for single-circuit chillers and heat pumps, small roof-top units, and precision air conditioners, can be quickly customised based on each manufacturer's requirements.

The characteristics of the pCO^{XS} perfectly suit the requirements of the manufacturers of air-handling units. For this reason, a dedicated version with MP-Bus protocol by Belimo is now available. It requires a single 2-wire cable and allows easy connection to all the actuators of the unit (max 8) and an active or passive sensor directly to each actuator.

This way, large units can be controlled at affordable costs. Furthermore, the pCO^{XS} is guaranteed for full compatibility with all the current user interfaces of the "pCO sistema" (LED, alphanumeric LCD, graphic LCD), with all the controllers of the "pCO sistema" (pCO^B, pCO^C, pCO¹, pCO²), and with all the modules integrated into a pLAN local network (FCM speed regulation modules, drivers for electronic expansion valve, controller for ducted units and small air roof-top units).

The small size (8 DIN modules) of the pCO^{XS} controller, the number of inputs/outputs (21 in total), and the wide range of accessories that has always characterised the pCO controllers series, make this latest model a versatile and competitive solution for all the OEMs in the Air-Conditioning sector.

Application



Chiller



Air Handling Unit



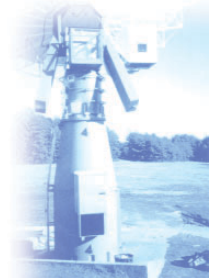
Roof-top



Computer rooms



Shelter

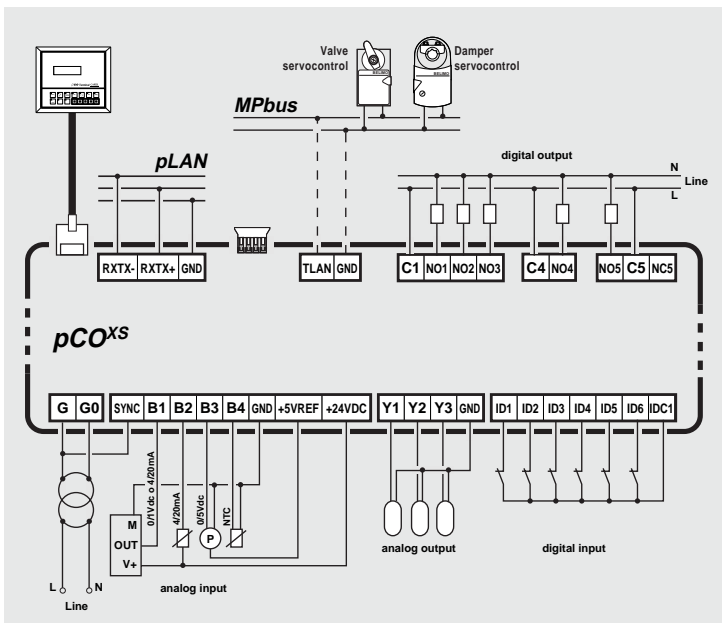


Technical characteristics

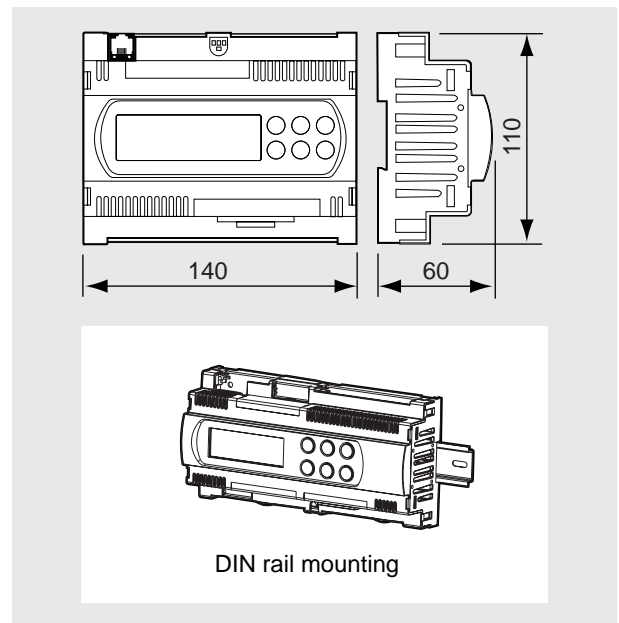
Storage conditions	-20T70, 90% rH no cond.
Operating conditions	-10T60, 90% rH no cond.
Index of protection	IP20, IP40 front panel only
Power supply	20/60Vdc e 24Vac ±15% 50/60Hz
Terminal block	removable connectors
Digital input	6 inputs from free contacts
Analogue input	4 (2 universal type: NTC, 0/1Vdc or 0/5Vdc ratiometric, 4/20mA and 2 passive type: NTC, 0/5Vdc)
Digital output	5 relay (2 SSR)

Analogue output	3 (2: 0/10Vdc type and 1: PWM type)
Serial line	3 (BMS, iLAN-MPbus, pLAN)
Available versions:	PCO1000AX0 without built-in interfaces PCO1000BX0 with built-in interfaces PCO1002AX0 without built-in interface and 2 SSR PCO1002BX0 with built-in interface and 2 SSR PCO1MP0AX0 without built-in interface and MPbus interface PCO1MP0BX0 with built-in interface and MPbus interface

Electrical wiring



Dimensions



Carel reserves the right to modify or change its products without prior notice

Cod. +302238291 - rel. 1.0 - 24.03.03

© Carel S.p.A. 2003 all rights reserved