



» **TCT101 Multifunction Timer / Counter / Tachometer / Terminal**

» **Ordering code**

Multifunction Timer
 Counters NPN/PNP
 Tachometer for encoders Push/Pull or Line Driver TTL
 MODbus RTU Master/Slave Terminal
 CANopen Master/Slave Terminal



» **Description**

Multifunction Timer-Counter-Terminal available in the following versions.

TCT101-1ABC :

Timer can be set in 5 different modes: Timer-ON, Timer-OFF, Pause-Work, Oscillator, PWM (time-proportioned output); all options with independent setting of ON/OFF time.

3 digital inputs are available for external command like Start, Stop, Reset; one input is also analog in order to allow change of working times by external potentiometer.

5 different time basis are selectable and counting can be incremental or decremental.

TCT101-2ABC :

Counter with digital NPN/PNP inputs to visualize incremental or decremental value on edge-up or edge-down. Beside counting input for Counter 1 and 2, it is possible also to program Hold and Reset input. Max frequency for input reading is 25KHz. Two relay outputs can be activated at reaching of programmed counting values.

TCT101-3ABC :

Tachometer for encoders type Push-Pull or Line-Driver TTL with reading frequency up to 50KHz. Recording of max and min peak on second display is programmable. Two outputs can be associated to setpoint values with programmable activation time.

TCT101-4ABC-T:

This version makes available all options (Timer, Counter, Tachometer) with one single relay output and serial communication RS485. Modbus-RTU Terminal is configurable as Master/Slave and allows to visualize on display two numeric variables at same time. 50 additional variables may be recalled in reading/writing mode by means of FNC key. Max baudrate is 57600 with networks up to 254 nodes. Isolated power supply enables the integration with a wide range of equipments.

TCT101-4ABC-TCAN :

Operating modes are the same as previous

» **Technical data**

BOX: 32x74(front)x58mm

SEALING: IP54 Front, IP30 Box, IP20 Terminal blocks

POWER SUPPLY: 24...230Vac/Vdc

CONSUMPTION: 2W

DISPLAY: 4 Digits green, + 4 Digits red, 6 LED red/orange, decimal point

OPERATING CONDITIONS: 0...40°C, 35..95rH%

DIGITAL INPUTS: 3 PNP/NPN selectable, 1 analog for potentiometers

INPUT FREQUENCY: 25KHz / 50KHz

OUTPUTS: 2 relays 5A resistive loads or 1 relay 5A + RS485 ModbusRTU/CANopen

BACK-UP: rechargeable condenser, approx 7days autonomy

CONFIGURATION: parameters protected by password

Memory Card optional, with/without battery

Software Labsoftview 2.0

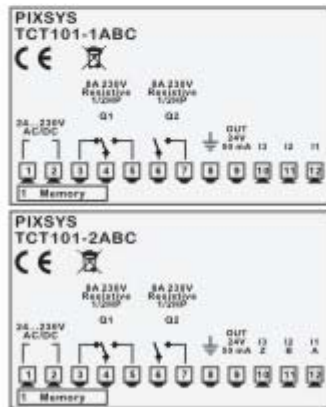
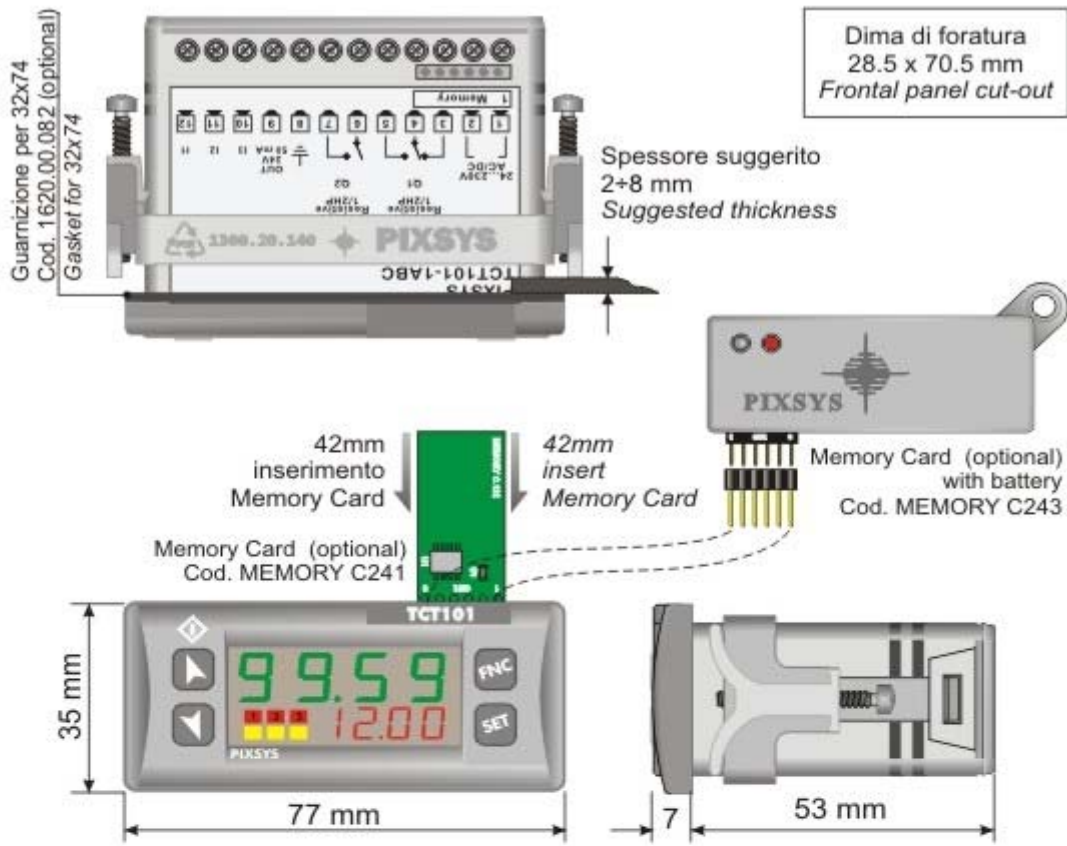
version but featuring CANopen connectivity, either as Master with predefined network or Slave. Baudrate is 1Mbit.

In all listed versions the dual display red/green allows easy visualisation of data. A straightforward setting of parameters by flow-chart has been conceived to achieve user-friendly programming. Memory Cards and software LabSoftView enable time-saving operation and quick copy of settings.

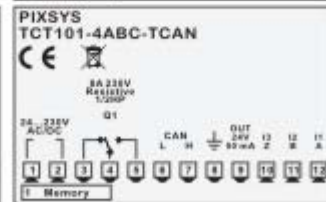
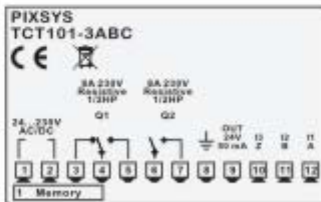
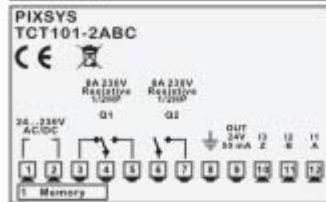
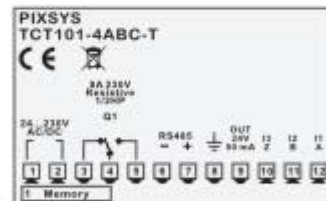
Back-up battery for storage of parameters and data in case of power-failure.

➤ **Ordering Code**

➤ **Installation**



Modello / Model :



MODEL	INPUTS	OUTPUTS	POWER SUPPLY
TCT101-1ABC	Timer	2 Relays	24...230Vac/dc +/- 15% 50/60Hz
TCT101-2ABC	Counter	2 Relays	
TCT101-3ABC	Tachometer	2 Relays	
TCT101-4ABC-T	RS485 Modbus Terminal	1 Relay	
TCT101-4ABC-TCAN	CANbus Terminal	1 Relay	

Pixsys srl - Via Tagliamento, 18 - 30030 - Mellaredo di Pianiga (VE)
Ph. +39 041 5190518 Fax +39 041 5190027