



## » DRR245 Din rail mounted controller - Three setpoints

### » Ordering code

Metalworking furnaces  
 Heating elements control  
 Refrigeration  
 Footwear machinery  
 Plastics extrusion, injection moulding  
 Dryers  
 Load cells control  
 Plastics machinery  
 Motorised valves control  
 Signal converter  
 Woodworking machinery  
 Pharmaceutical industry  
 Cold stores  
 Remote control via RS485  
 Amperometric control

### » Description

DRR 245 is the DIN rail mounted multifunction controller. One analog input configurable by parameter for up to 18 different sensors/signals. Three outputs configurable by parameter: two relays (also as Open/Close logic for motorised valves control), logic output for SSR or 4...20mA / 0...10V signal (both for command or re-scalable retransmission of process/setpoint). The analog output is galvanic isolated from power supply and from analog input. The switching power supply with extended range 24...230Vac/Vdc does not require any jumpers setting. Control modes: On/Off, PID + Autotuning, Heating/Cooling PID with neutral zone. Software features include Tuning start and selection of setpoints by digital input, optional manual reset of output by frontal keyboard ("Limit controller"), Latch-on function for sensors calibration (including load cells), a programmable cycle/profile of 3 steps . Serial communication RS485-ModbusRTU and load monitoring function (Loop Break Alarm) with amperometric transformer TA. Optional Memory Card to copy all parameters, available also with internal battery therefore not requiring to power up the unit. Software application LABSOFTVIEW for Windows enables setting and monitoring of parameters on PC. CE and UL-CSA approved.

### » Ordering Code

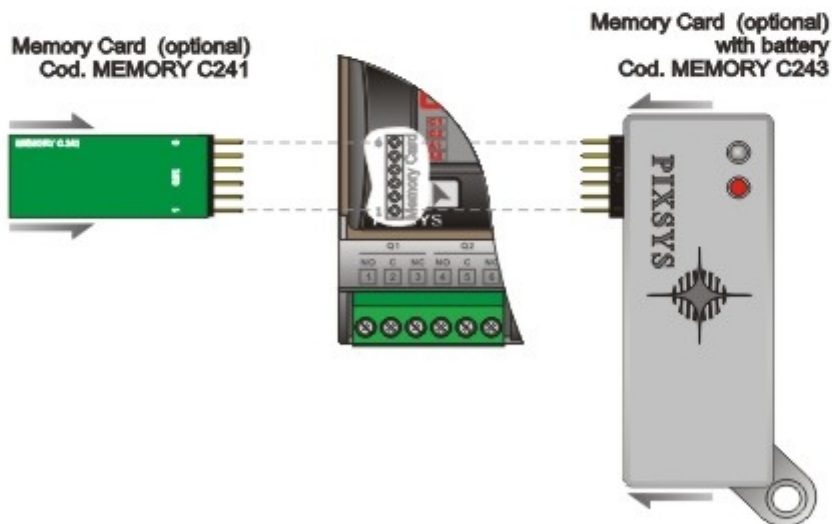
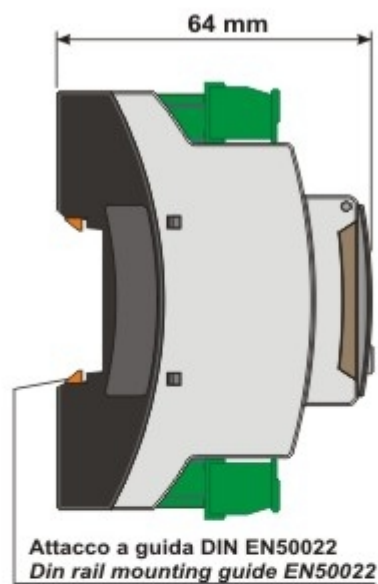
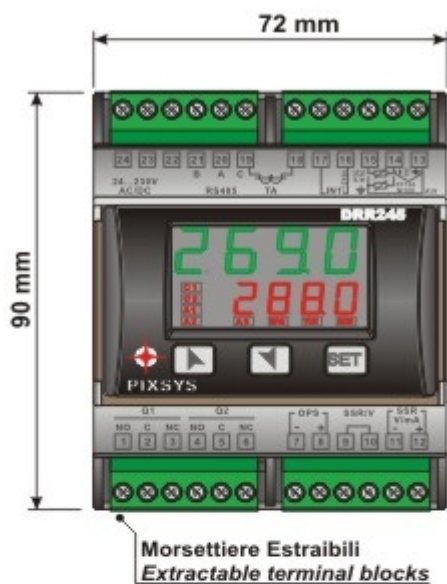
### » Installation



### » Technical data

BOX: standard DIN 43880  
 DIN rail EN 50022  
 SUPPLY: 24...230 Vac/dc +/-15%, 50/60Hz  
 POWER CONSUMPTION: 3W  
 DISPLAY: dual 4 digits, 8 red LEDs, decimal point  
 OPERATING CONDITIONS: 0-45°C, 35..95rH%  
 INPUTS: 1 configurable for TC K, J, S, R, PT100 (2 ranges), NI100, PT1000, PT500, PTC1K, NTC10K 0...10V, 0/4...20mA, 0...40mV  
 Potentiometers <=6KΩ, <=150KΩ, TA 50mA  
 OUTPUTS: 2 relays 5A resistive + 1 logic SSR 12V-30mA / 4..20mA / 0...10V for control or retransmission (4000 points accuracy), galvanic isolated  
 RS485 Modbus RTU (57600baud max)  
 Input TA 50mA for Loop Break Alarm  
 DIGITAL INPUT: Tuning Start, Setpoint change, selection Man/Auto, Hold function, Start/Stop pre-programmed cycle  
 CONTROL MODES: ON/OFF, P, PI, PID Autotuning  
 ACCURACY: 0.5%±1digit for TC/RTD; 0.2%±1digit for V/mA  
 SAMPLING TIME: selectable (min 15ms)  
 SEALING: IP20 Terminal blocks  
 CONFIGURATION: Parameters protected by password, Memory card with battery for serial productions, software LabSoftView  
 CERTIFICATIONS: CE, CSA UL\*

File : Disegno-DRR245.cdr 23/11/2007  
 Regolatore  
 Modello : DRR245-xx



MODEL	INPUTS	OUTPUTS	POWER SUPPLY
DRR245-21ABC-T	Configurabile Selectable	2Relays + SSR / 4..20mA / 0..10V + RS485	24...230Vac/dc +/- 15% 50/60Hz

Pixsys srl - Via Tagliamento, 18 - 30030 - Mellaredo di Pianiga (VE)  
 Ph. +39 041 5190518 Fax +39 041 5190027