

**Motor / Transformer
Protection10A - 311-551 to
311-562 & 311-569**



APPLICATIONS

Thermal protection, and under certain circumstances, temperature control of electrical machinery and equipment.

Examples:

Single Phase	Motors	Heating Elements
Chokes	Generators	Signal Transmitters
Coils	Convertors	Fire Detectors
Power Supplies	Transformers	Magnets Inverters
Pumps	Relays	

Operating Manual

DESCRIPTION

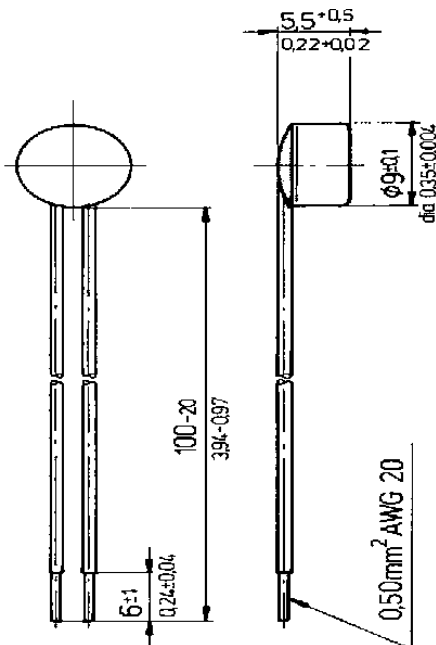
This thermostat operates as a thermal cutout. A thermally sensitive bimetal snap-element with double contacts either opens or closes an electrical circuit by switching at a pre-set response temperature. Reset follows automatically after a considerable drop in temperature.

Heat transfer occurs from all sides through convection, radiation or conduction in gaseous or solid media. The circular base plate conducts heat onto the bimetal snap-element, thus also allowing its use as a surface temperature cutout.

Specifications

Contact resistance:	< 40m ohm
Electrical life:	10000 Operations at 6.3A, 5000 Operations at 10A
Temp. setting:	tolerance: +/-5°C
Contact rating:	6.3A resistive 250V 50-60Hz 4.0A inductive at 0.6 power factor
Insulation resistance:	Housing to earth 2500Vac
Maximum current:	16A
Dimensions:	10mm x H 6.5mm Leads 100mm x 0.5mm ²
Material:	nickel-plated steel case, epoxy resin coated, no live parts exposed
insulation	

DIMENSIONS



FREE 1st class postal delivery on all orders over £30

FREE next day carrier delivery on all orders over £200

OFF THE SHELF STOCK

Direct TECHNICALHELP: 01204 675006

Direct ORDER HOTLINE: 01204 675005

Credit card payment for non account holders

Full e-commerce website with downloadable datasheets

and special offers: www.hawcodirect.co.uk

