

**SURFACE MOUNT 1/2"  
BIMETALLIC SWITCHES WITH  
SMALL RESET BUTTON -  
311-320 to 311-329**



**Standard:**

UL File	No. E43273
CSA Certificate	No. LR67165 LR67166 LR67167
DIN EN	60730-1,-2-9
Licence	No. 1044175 104176

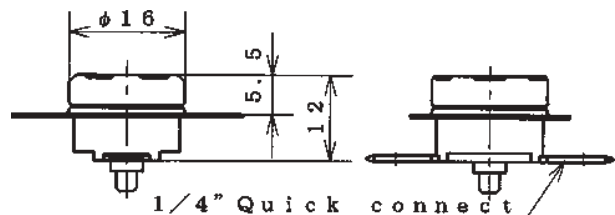
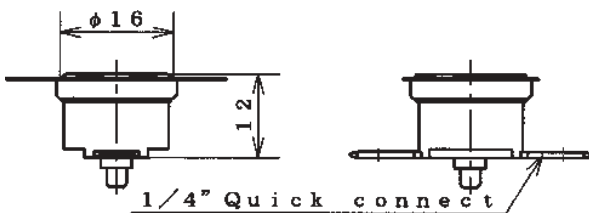
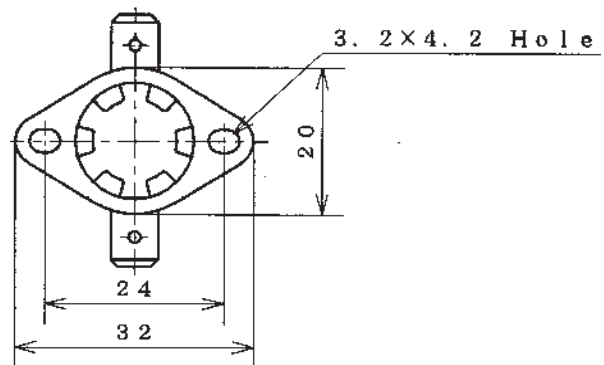
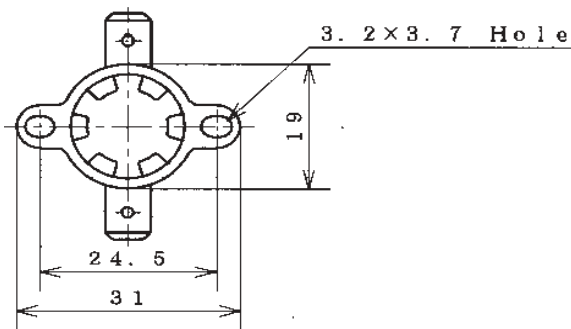
**SPECIFICATIONS:**

<b>Basic features:</b>	SPST manual reset
<b>Operation:</b>	Contacts open on temperature rise. Not automatic reset
<b>Electrical rating:</b>	UL: AC120V/15A AC240V/10A CSA: AC125V/15A AC250V/10A VDE: AC250V/16A
<b>Calibration Method:</b>	Hot and cold air circulation system
<b>Temperature rating:</b>	Operating temperature Max. 150°C
<b>Insulation: resistance</b>	Not less than 1000MOhms/DC500V
<b>Dielectric Strength:</b>	Not less than AC1500V/1min or AC1800V/1sec

**MATERIAL OF PARTS:**

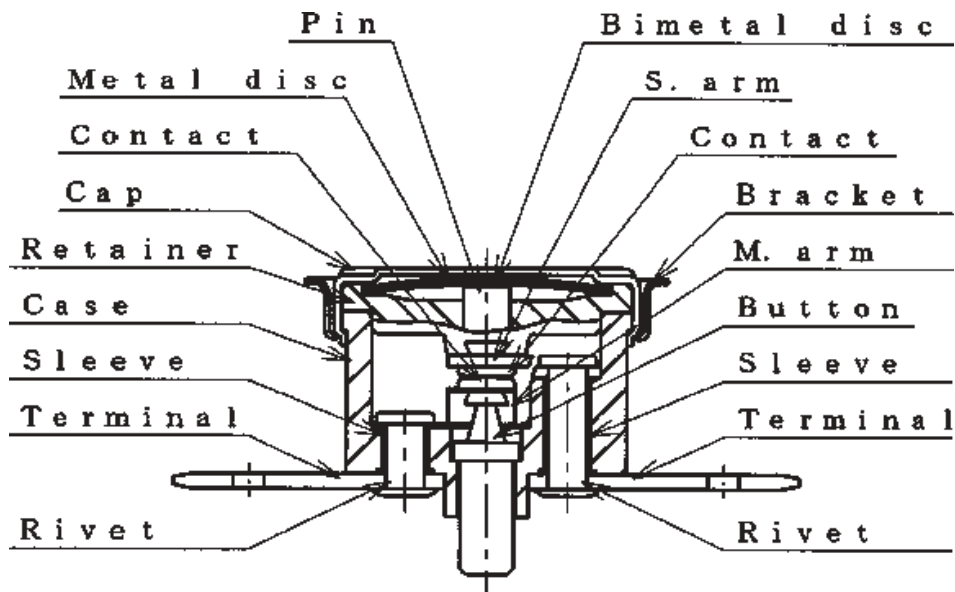
<b>Cap:</b>	Aluminium, copper, stainless steel
<b>Case:</b>	Phenolic resin
<b>M.Arm:</b>	Beryllium copper alloy
<b>Terminals:</b>	Brass
<b>Bracket:</b>	Stainless steel
<b>Contacts:</b>	Silver-nickel alloy
<b>Button:</b>	Phenol

**DIMENSIONS:**



**Sales Hotline: 01204 675005    Tech Helpline: 01204 675006**  
 web:www.hawcodirect.co.uk    e-mail:catalogue@hawcodirect.co.uk

## STRUCTURE



Code no	Opening Temperature
311-320	40°C
311-321	45°C
311-322	55°C
311-323	65°C
311-324	80°C
311-325	90°C
311-326	100°C
311-327	115°C
311-328	130°C
311-329	150°C

Need a visit from a dedicated representative just phone (01204) 675082



Thermostats & Thermometers

Sales Hotline: 01204 675005 Tech Helpline: 01204 675006  
 web:www.hawcodirect.co.uk e-mail:catalogue@hawcodirect.co.uk