

Surface Mount (1/2") Bimetallic Switches - Auto Reset



Standard:

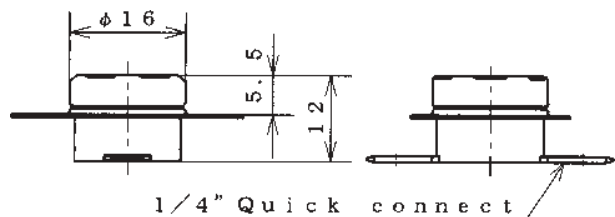
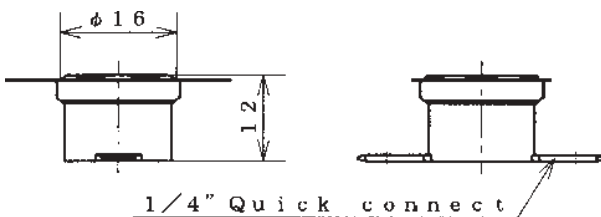
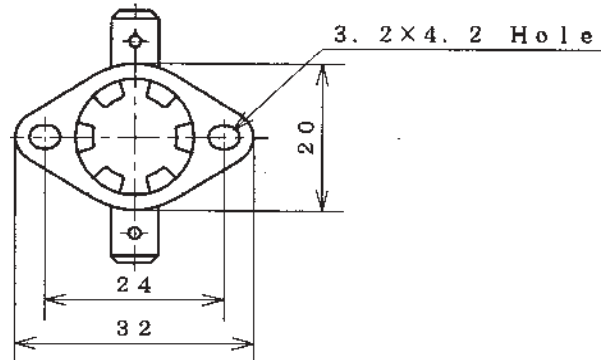
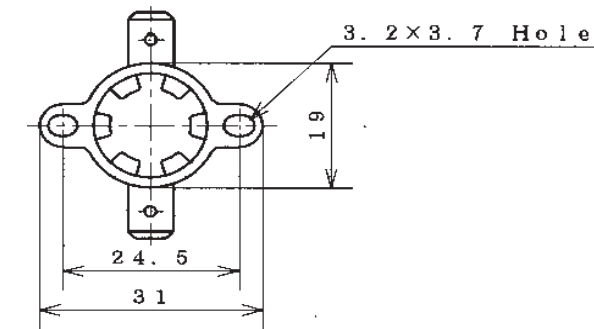
UL File	No. E43273
CSA Certificate	No. LR67165 LR67166 LR67167
DIN EN	60730-1,-2-9
Licence	No. 1044175 104176
ES EN	60730-1, -2-9
BEAB Cert No.	C0901

Operating Manual

Material of parts

Cap:	Aluminium, copper, stainless steel
M.arm:	Phenolic resin
Terminals:	Brass
Brackets:	Stainless steel
Contacts:	Silver-Nickel alloy

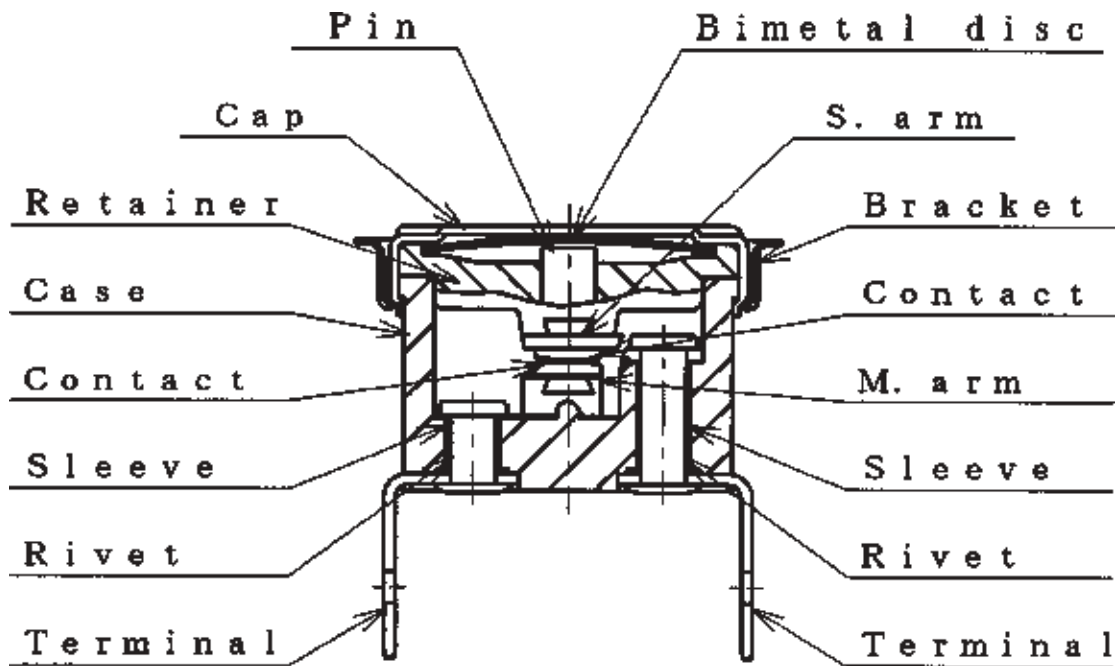
Dimensions



Specification

Basic features:	SPST automatic reset
Operation:	A: Contacts open on temperature rise. B: Contacts close on temperature rise.
Electrical rating:	UL: AC120V/15A AC240C/10A CSA: AC125V/15A AC250V/8A VDE BEAB: 250V/16A
Calibration method:	Hot and cold air circulation system
Temperature rating:	Operating temperature max. 150°C
Insulation:	Not less than 1000MOhms/DC500V resistance
Dielectric strength:	Not less than AC1500V/1 min or AC1800V/1 sec

Structure



Code No.	Set point	Reset temp
311-101	40°C +3°C	25°C +5°C
311-102	50°C +3°C	35°C +5°C
311-103	60°C +3°C	45°C +4°C
311-104	70°C +3°C	55°C +5°C
311-105	80°C +3°C	65°C +5°C
311-106	90°C +3°C	75°C +5°C
311-107	100°C +3°C	85°C +5°C
311-108	110°C +4°C	95°C +6°C
311-109	125°C +4°C	110°C +6°C
311-114	140°C +4°C	120°C +6°C
311-110	150°C +4°C	130°C +6°C
311-111	160°C +5°C	130°C +10°C
311-112	170°C +5°C	140°C +10°C

Automatic reset - normally closed - vertical terminals

311-148	20°C +3°C	10°C +3°C
311-150	30°C +3°C	20°C +4°C
311-149	35°C +4°C	25°C +4°C
311-151	40°C +3°C	25°C +5°C
311-152	50°C +3°C	35°C +5°C
311-154	70°C +3°C	55°C +5°C
311-155	80°C +3°C	65°C +5°C
311-156	90°C +3°C	75°C +5°C
311-157	100°C +3°C	85°C +6°C
311-159	110°C +4°C	95°C +6°C
311-158	125°C +4°C	100°C +6°C
311-160	150°C +4°C	130°C +6°C

Automatic reset - normally open - vertical terminals

311-250	40°C +3°C	25°C +5°C
311-251	60°C +3°C	45°C +4°C
311-252	70°C +3°C	55°C +4°C
311-256	90°C +3°C	75°C +4°C

Automatic reset Normally closed - vertical terminals-High Temp.

311-331	170±5°C	140±10°C (Ryton)
311-333	200±8°C	160±8°C (Ryton)
311-335	200±10°C	160±15°C (Ceramic)
311-337	225±10°C	175±15°C (Ceramic)
311-339	250±10°C	200±20°C (Ceramic)

