

GENERAL DATA

Application	High/Mid. back pressure
Refrigerant	R404A
Evaporating °C	-25 - 10
Comp. cooling	Fan cooled
Max. ambient temp. °C	38

CONDENSER DATA

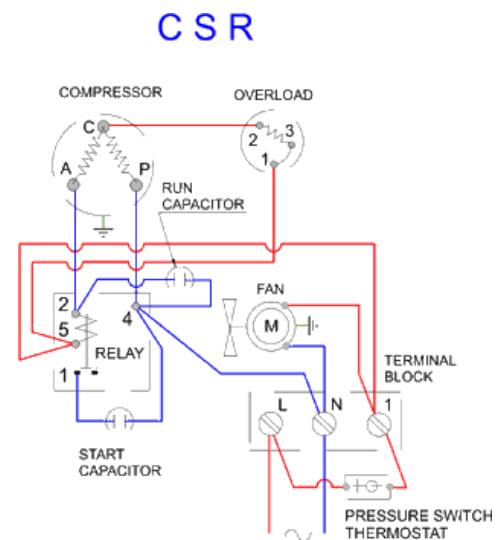
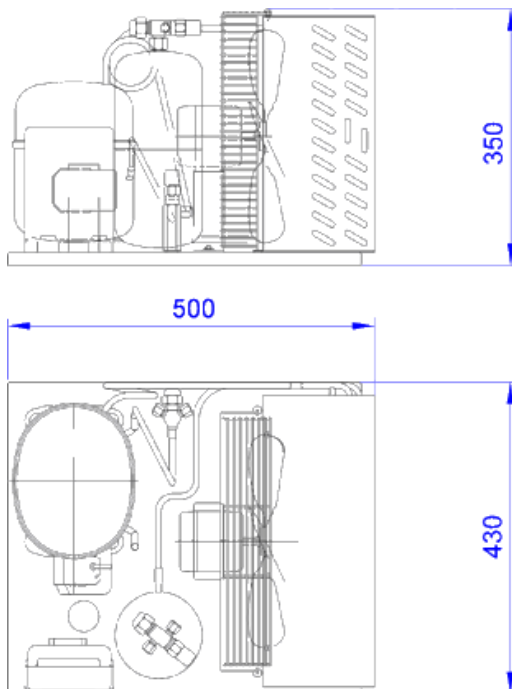
Condenser type	CU-AL
Condenser model	12T 4R
Evaporating (W)	25
Fan blade diameter (mm)	300

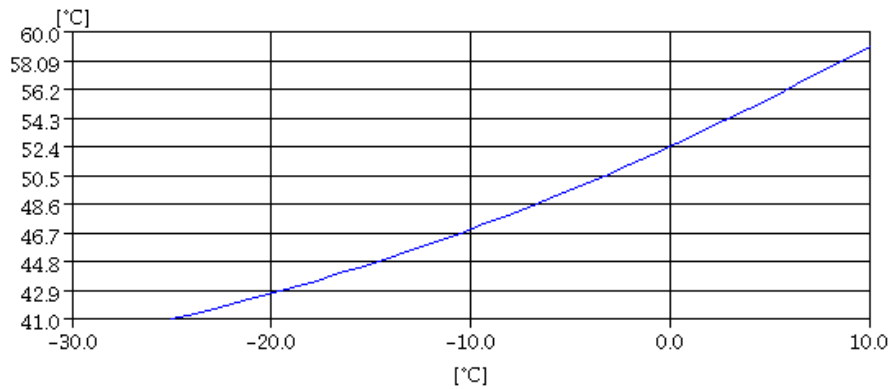
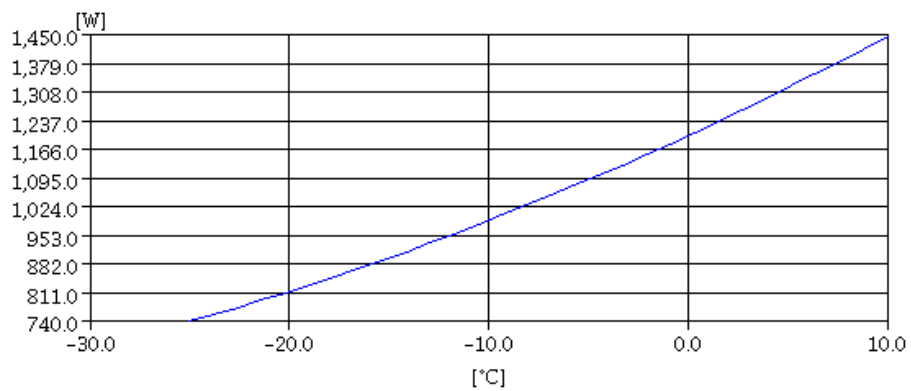
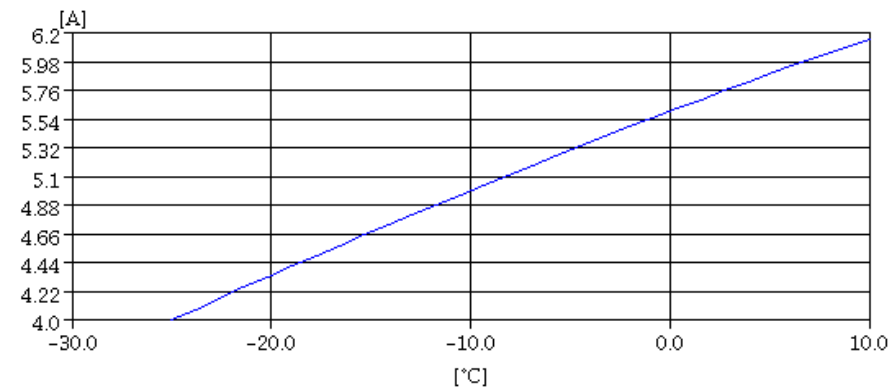
COMPRESSOR DATA

Displacement (cm ³)	18.0
Bore/Stroke (mm)	34,94/19,20
Motor type	CSR
Voltage/Frequency	220V 50Hz
Voltage range (V)	187-264
Locked rotor current (A)	29.0
Main W. resist. at 25°C (Ω)	2.0
Start W. resist. at 25°C (Ω)	7.0

VERSIONS

3 -Service valve and receiver (CMX18TB3M)
 Receiver, approx. vol. 2.0 l
 Suction tube internal diam. 3/8" in
 Discharge tube internal diam. 3/8" in

DIMENSIONS AND ELECTRICAL DIAGRAM


CONDENSING TEMPERATURE

CONSUMPTION

INTENSITY

COOLING CAPACITY
