

**GENERAL DATA**

Application	High/Mid. back pressure
Refrigerant	R404A
Evaporating °C	-25 - 10
Comp. cooling	Fan cooled
Max. ambient temp. °C	38

**CONDENSER DATA**

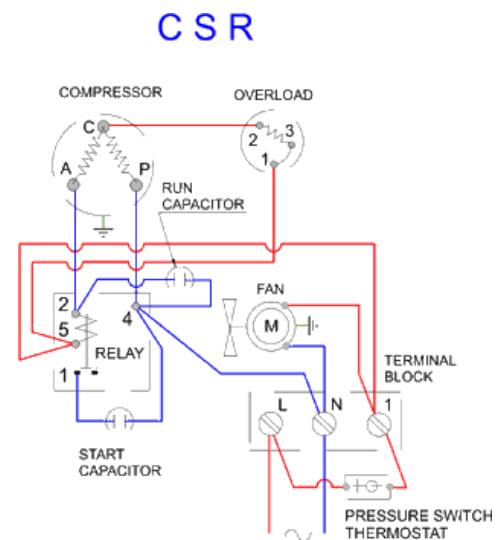
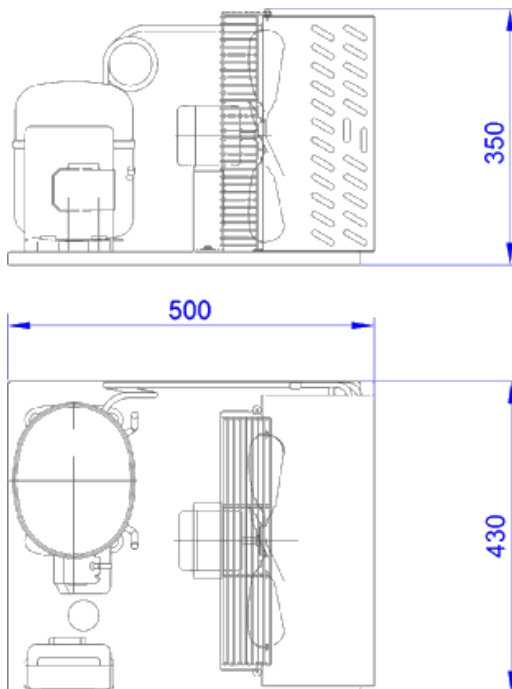
Condenser type	CU-AL
Condenser model	12T 4R
Evaporating (W)	25
Fan blade diameter (mm)	300

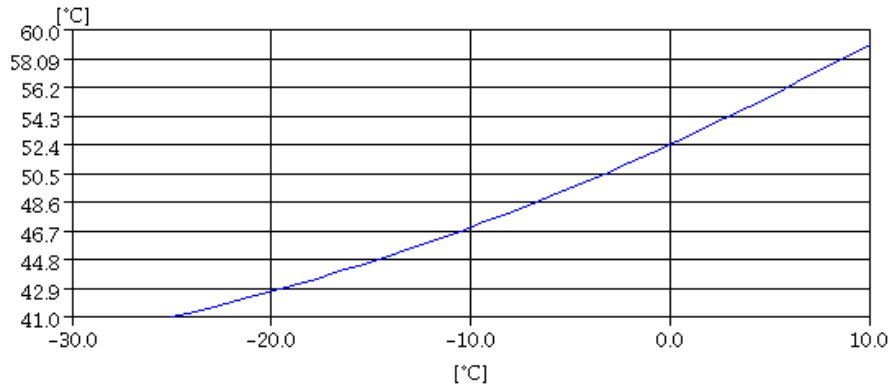
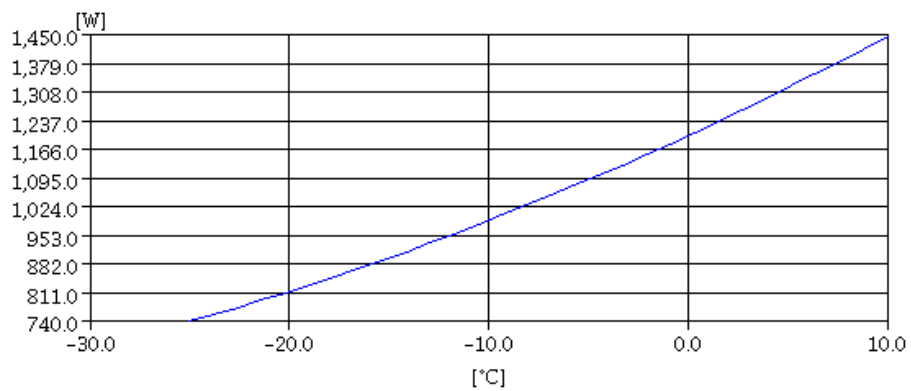
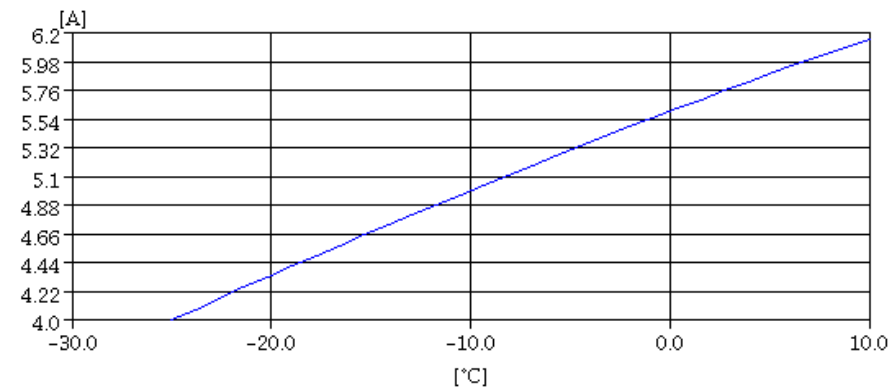
**COMPRESSOR DATA**

Displacement (cm <sup>3</sup> )	18.0
Bore/Stroke (mm)	34,94/19,20
Motor type	CSR
Voltage/Frequency	220V 50Hz
Voltage range (V)	187-264
Locked rotor current (A)	29.0
Main W. resist. at 25°C (Ω)	2.0
Start W. resist. at 25°C (Ω)	7.0

**VERSIONS**

1 -Tube (CMX18TB1M)
Suction tube internal diam. 3/8 in
Discharge tube internal diam. 5/16 in

**DIMENSIONS AND ELECTRICAL DIAGRAM**


**CONDENSING TEMPERATURE**

**CONSUMPTION**

**INTENSITY**

**COOLING CAPACITY**
