

**GENERAL DATA**

Application	HBP
Refrigerant	R404A
Evaporating °C	-15 - 10
Comp. cooling	Fan cooled
Max. ambient temp. °C	38

**CONDENSER DATA**

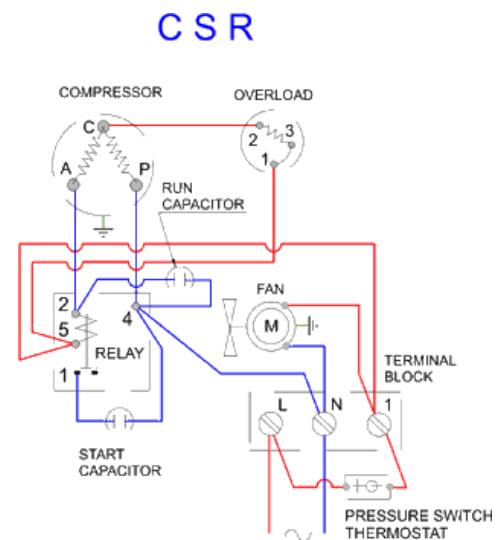
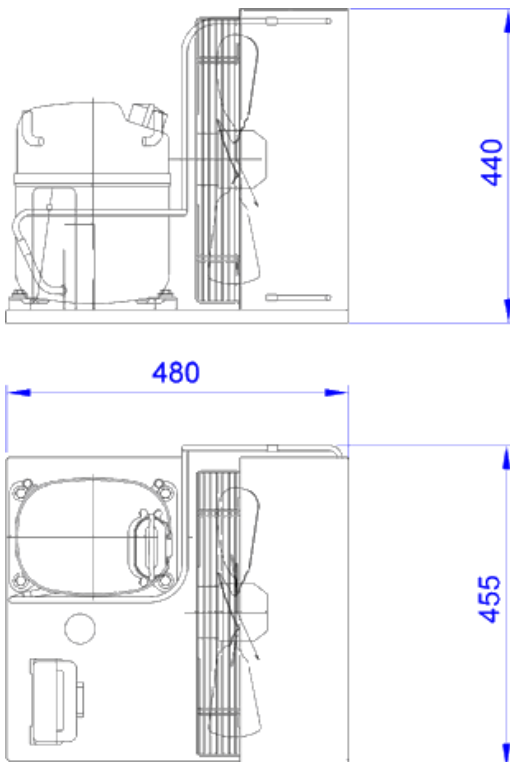
Condenser type	CU-AL
Condenser model	16T 5R
Evaporating (W)	140
Fan blade diameter (mm)	350

**COMPRESSOR DATA**

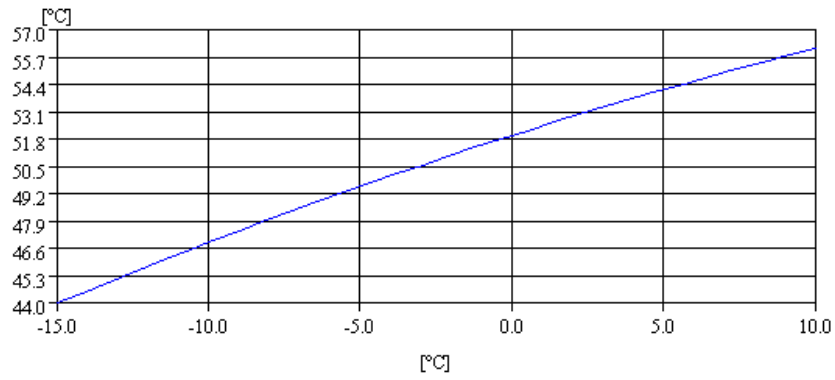
Displacement (cm <sup>3</sup> )	34.0
Bore/Stroke (mm)	42,87/23,85
Motor type	CSR
Voltage/Frequency	220V 50Hz
Voltage range (V)	187-264
Locked rotor current (A)	41.0
Main W. resist. at 25°C (Ω)	1.0
Start W. resist. at 25°C (Ω)	5.0

**VERSIONS**

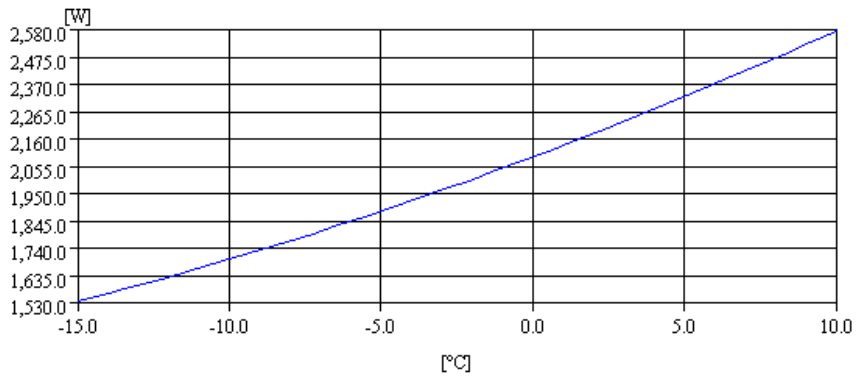
3 -Service valve and receiver (CMS34TB3M)  
 Receiver, approx. vol. 2.0 l  
 Suction tube internal diam. 5/8R in  
 Discharge tube internal diam. 3/8R in

**DIMENSIONS AND ELECTRICAL DIAGRAM**


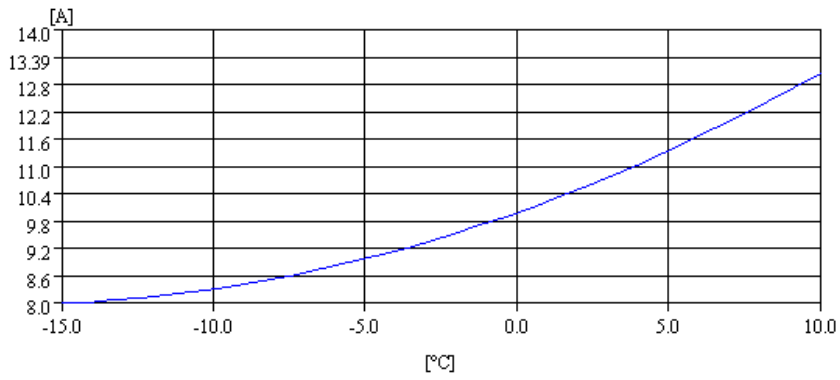
CONDENSING TEMPERATURE



CONSUMPTION



**INTENSITY**



**COOLING CAPACITY**

