

**GENERAL DATA**

Application	High/Mid. back pressure
Refrigerant	R404A
Evaporating °C	-25 - 10
Comp. cooling	Fan cooled
Max. ambient temp. °C	43

**CONDENSER DATA**

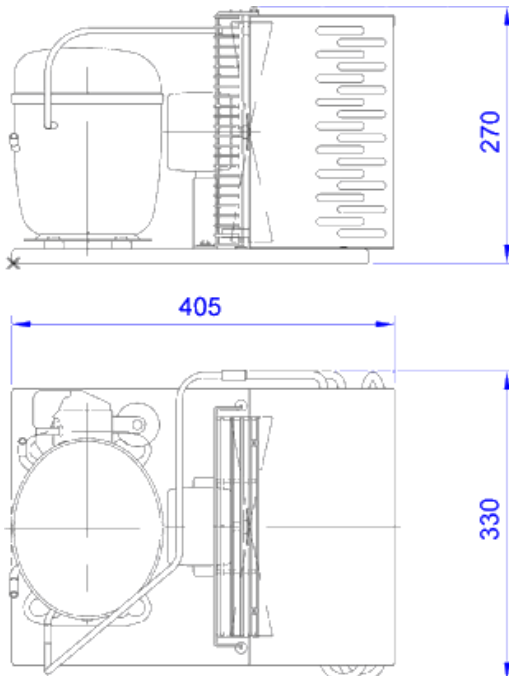
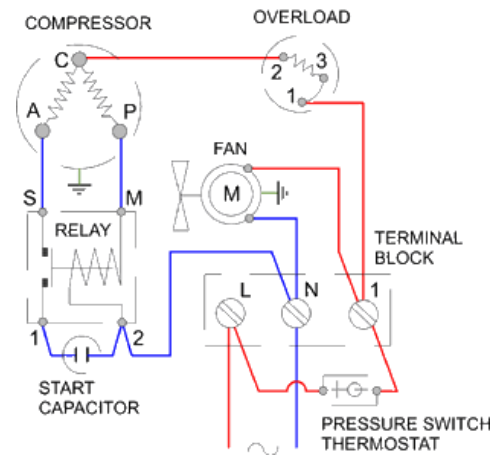
Condenser type	CU-AL
Condenser model	9T 4R
Evaporating (W)	10
Fan blade diameter (mm)	230

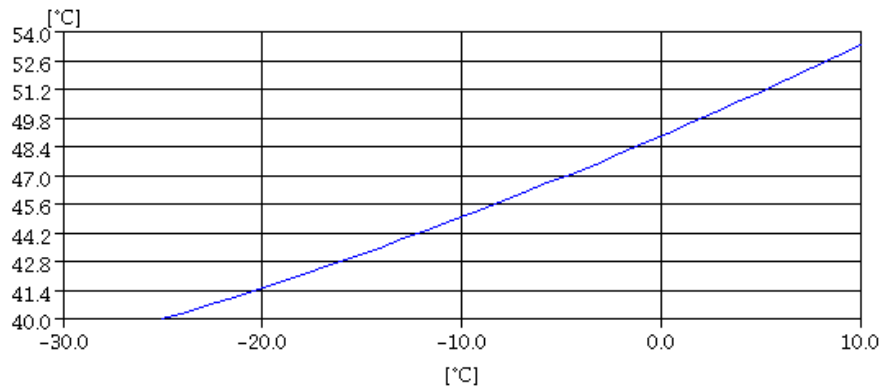
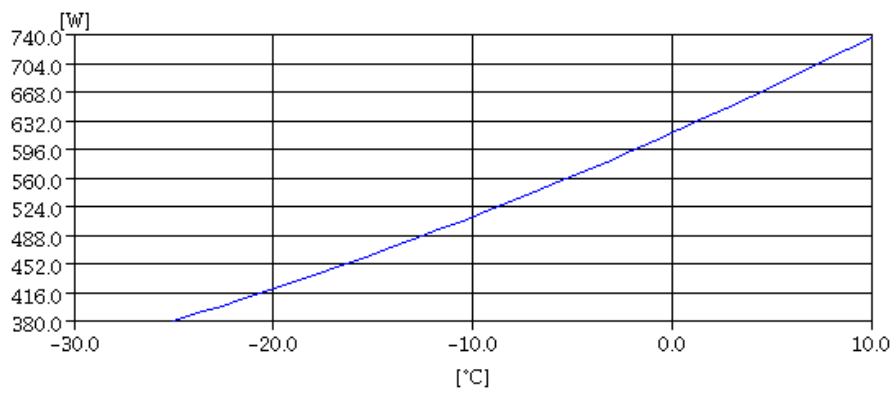
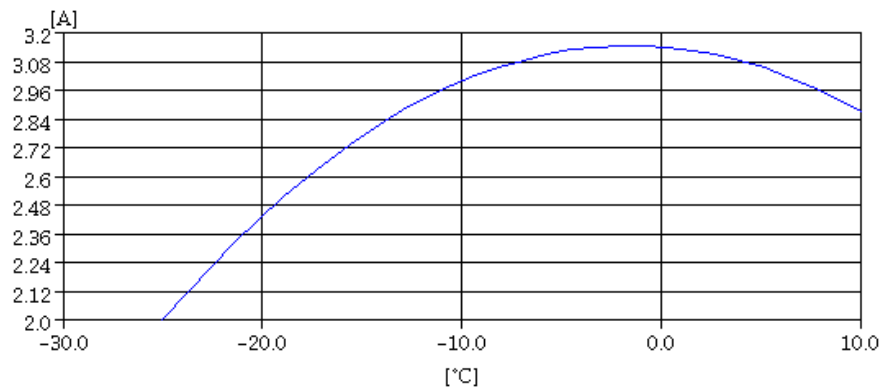
**COMPRESSOR DATA**

Displacement (cm <sup>3</sup> )	8.0
Bore/Stroke (mm)	25,40/17,47
Motor type	CSIR
Voltage/Frequency	220V 50Hz
Voltage range (V)	187-264
Locked rotor current (A)	16.0
Main W. resist. at 25°C (Ω)	4.0
Start W. resist. at 25°C (Ω)	20.0

**VERSIONS**

- 1 -Tube (CML90TB1N)
- Suction tube internal diam. 1/4 in
- Discharge tube internal diam. 5/16 in

**DIMENSIONS AND ELECTRICAL DIAGRAM**

**CSIR**


**CONDENSING TEMPERATURE**

**CONSUMPTION**

**INTENSITY**

**COOLING CAPACITY**
