

GENERAL DATA

Application	HMBP
Refrigerant	R134a
Evaporating °C	-25 - 10
Comp. cooling	Fan cooled
Max. ambient temp. °C	43

CONDENSER DATA

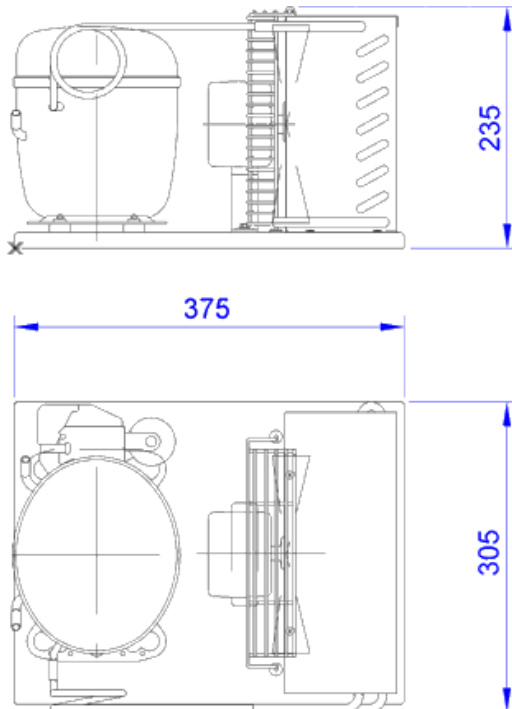
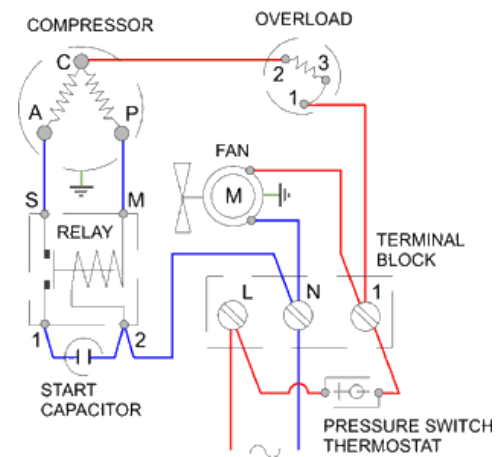
Condenser type	CU-AL
Condenser model	8T 2R
Evaporating (W)	5
Fan blade diameter (mm)	200

COMPRESSOR DATA

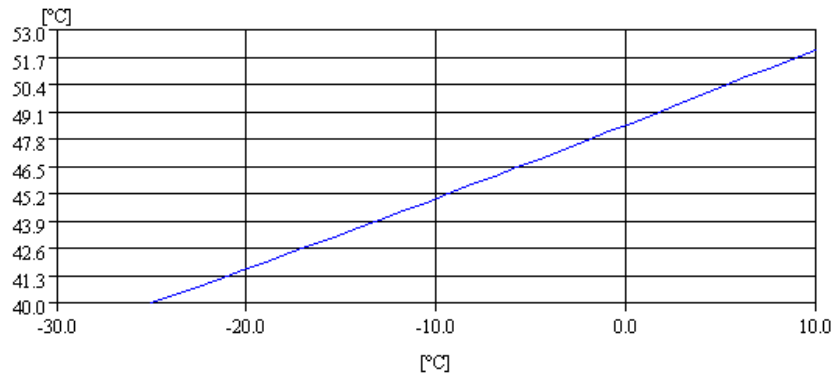
Displacement (cm ³)	5.0
Bore/Stroke (mm)	22,00/14,92
Motor type	CSIR
Voltage/Frequency	220V 50Hz
Voltage range (V)	187-264
Locked rotor current (A)	8.0
Main W. resist. at 25°C (Ω)	12.0
Start W. resist. at 25°C (Ω)	32.0

VERSIONS

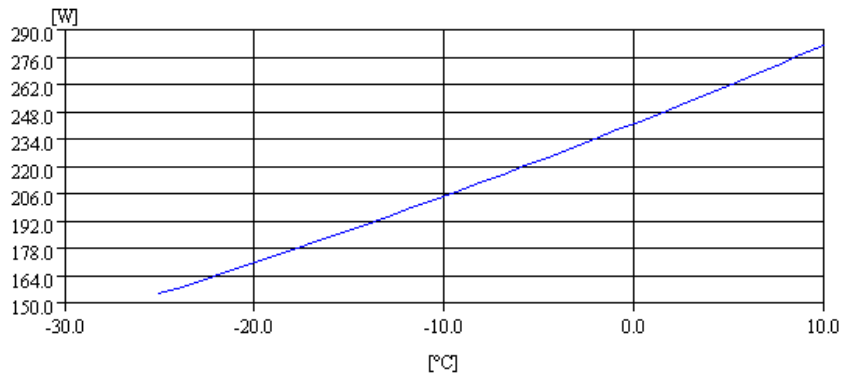
3 -Service valve and receiver (CGL60TB3N)
 Receiver, approx. vol. 1.0 l
 Suction tube internal diam. 3/8F in
 Discharge tube internal diam. 1/4F in

DIMENSIONS AND ELECTRICAL DIAGRAM

CSIR


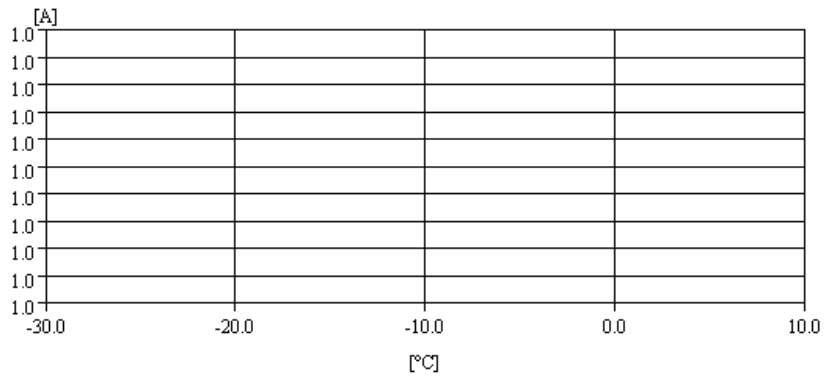
CONDENSING TEMPERATURE



CONSUMPTION



INTENSITY



COOLING CAPACITY

