


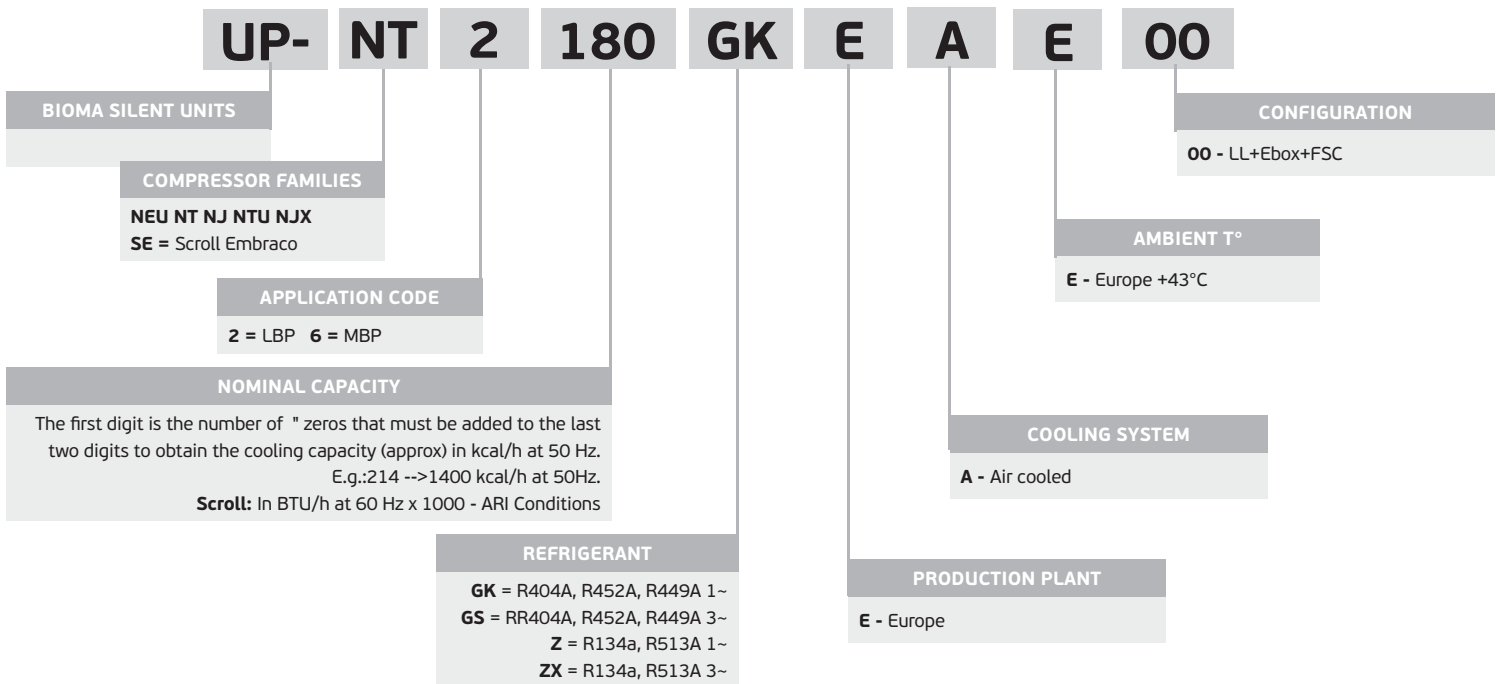


THREE SIZES: A COMPLETE RANGE

HOUSING	DIMENSIONS (mm)	
1	982 x 484 x 600	
2	1082 x 490 x 708	
3	1277 x 538 x 1005	

NOMENCLATURE

MODEL DESCRIPTION



REFRIGERANTS MAP AND EQUIPMENT LEVEL

APPLICATION	SUPPLY	HOUSING	MODEL	R404A	R452A	R449A	R134A	R513A	E00						
									Low noise fan	Fan speed control	Liquid line	Fully equipped electr. box	Acoustic foam in compressor compart.	Acoustic jacket	
MBP	1~	1	UP-NEU6212GK	●	●	●			✓	✓	✓	✓	✓		
			UP-NEU6215GK	●	●	●			✓	✓	✓	✓	✓		
			UP-NEU6220GK	●	●	●			✓	✓	✓	✓	✓		
			UP-NT6224GK	●	●	●			✓	✓	✓	✓	✓		
			UP-NT6226GK	●	●	●			✓	✓	✓	✓	✓		
			UP-NJ9232GK	●	●	●			✓	✓	✓	✓	✓		
				UP-NTU6238GKV	●	●	●			✓	✓	✓	✓	✓	
		2		UP-SE6015GK	●	●	●	●	●	✓	✓	✓	✓	✓	✓
			UP-SE6018GK	●	●	●	●	●	✓	✓	✓	✓	✓	✓	
			UP-SE6021GK	●	●	●	●	●	✓	✓	✓	✓	✓	✓	
		3~	1	UP-NJ9232GS	●	●	●			✓	✓	✓	✓	✓	
				UP-NJ9238GS	●	●	●			✓	✓	✓	✓	✓	
			2	UP-NJX6250GS	●	●	●			✓	✓	✓	✓	✓	
				UP-SE6015GS	●	●	●	●	●	✓	✓	✓	✓	✓	✓
				UP-SE6018GS	●	●	●	●	●	✓	✓	✓	✓	✓	✓
				UP-SE6021GS	●	●	●	●	●	✓	✓	✓	✓	✓	✓
		3	UP-SE6026GS	●	●	●	●	●	✓	✓	✓	✓	✓	✓	
			UP-SE6030GS	●	●	●	●	●	✓	✓	✓	✓	✓	✓	
			UP-SE6036GS	●	●	●	●	●	✓	✓	✓	✓	✓	✓	
			UP-SE6043GS	●	●	●	●	●	✓	✓	✓	✓	✓	✓	
		1~	1	UP-NEU6214Z				●	●	✓	✓	✓	✓	✓	
				UP-NJ6220Z				●	●	✓	✓	✓	✓	✓	
		UP-NJ6226Z					●	●	✓	✓	✓	✓	✓		
		3~		UP-NJ6226ZX				●	●	✓	✓	✓	✓	✓	
LBP	1~	1	UP-NT2180GK	●	●				✓	✓	✓	✓	✓		
			UP-NT2192GK	●	●				✓	✓	✓	✓	✓		
			UP-NT2212GK	●	●				✓	✓	✓	✓	✓		
			2	UP-SE2006GK	●	●	●			✓	✓	✓	✓	✓	✓
				UP-SE2008GK	●	●	●			✓	✓	✓	✓	✓	✓
			UP-SE2010GK	●	●	●			✓	✓	✓	✓	✓	✓	
		3~	2	UP-NJX2219GS	●	●	●			✓	✓	✓	✓	✓	
				UP-SE2006GS	●	●	●			✓	✓	✓	✓	✓	✓
			UP-SE2008GS	●	●	●			✓	✓	✓	✓	✓	✓	
			UP-SE2010GS	●	●	●			✓	✓	✓	✓	✓	✓	
		3	UP-SE2012GS-0	●	●	●			✓	✓	✓	✓	✓	✓	
			UP-SE2014GS-0	●	●	●			✓	✓	✓	✓	✓	✓	
	UP-SE2017GS-0		●	●	●			✓	✓	✓	✓	✓	✓		
		UP-SE2020GS-0	●	●	●			✓	✓	✓	✓	✓	✓		

R452A - LBP - RTG20

CONDENSING UNITS				COMPRESSORS		AMBIENT TEMP. (°C)	EN13125 - SUBCOOLING OK - MIDPOINT								POWER INPUT (W)					
CONDENSING UNITS MODELS	CONDENSING UNIT BOM	VOLTAGE SUPPLY (V)	I NOM (A)	COMPRESSOR MODELS	COMPRESSOR BOM		COOLING CAPACITY (W)													
							-35°C	-30°C	-25°C	-20°C	-15°C	-10°C	-35°C	-30°C	-25°C	-20°C				
UP-NT2180GK-EAE00	503HAS6C4FI	CP: 230V-1ph-50Hz Fan: 230V-1ph-50Hz	2,4	NT2180GK-A-CSR	923HA0404AF	25	625	793	999	1238	1507	1799	560	617	682	759				
						32	544	700	886	1097	1331	1583	557	631	710	797				
						38	472	617	783	970	1175	1393	564	647	733	824				
						43	-	547	698	864	1044	1234	-	658	747	838				
UP-NT2192GK-EAE00	503EAS6C4FI	CP: 230V-1ph-50Hz Fan: 230V-1ph-50Hz	2,7	NT2192GK-A-CSR	923EA0404AF	25	674	853	1063	1304	1575	1872	585	658	734	818				
						32	583	747	937	1153	1393	1656	590	673	759	852				
						38	506	655	827	1020	1234	1467	593	684	778	879				
						43	-	582	736	910	1101	1308	-	690	790	897				
UP-NT2212GK-EAE00	505DAS6C4FI	CP: 230V-1ph-50Hz Fan: 230V-1ph-50Hz	3,7	NT2212GK-A-CSR	925DA0204AF	25	890	1122	1406	1740	2121	2544	713	801	899	1010				
						32	773	990	1251	1553	1895	2271	718	822	934	1058				
						38	673	874	1113	1386	1692	2028	727	842	965	1097				
						43	-	780	998	1245	1521	1821	-	857	987	1125				
UP-NJX2219GS-EAE00	545ASS6C3FI	CP: 400V-3ph-50Hz Fan: 230V-1ph-50Hz	2,3	NJX2219GS-M	945AS2101AA	25	1231	1604	2059	2586	3174	3812	1000	1138	1290	1457				
						32	1129	1468	1876	2346	2866	3427	1042	1189	1351	1528				
						38	1018	1328	1698	2119	2582	3079	1064	1223	1397	1586				
						43	913	1200	1538	1920	2336	2780	1074	1245	1430	1631				
UP-SE2006GK-EAE00	5S3AC56C4FI	CP: 230V-1ph-50Hz Fan: 230V-1ph-50Hz	5,6	SE2006GK-C	303AC1204AA	25	1435	1750	2129	2576	3099	3699	1115	1186	1264	1349				
						32	1318	1612	1962	2374	2854	3404	1240	1319	1405	1498				
						38	1210	1480	1800	2177	2615	3118	1366	1450	1542	1642				
						43	1120	1365	1656	2000	2400	2861	1493	1580	1676	1780				
UP-SE2006GS-EAE00	5S3AOS6C3FI	CP: 400V-3ph-50Hz Fan: 230V-1ph-50Hz	2,4	SE2006GS-O	303A01201AA	25	1436	1751	2129	2577	3099	3700	1106	1177	1254	1338				
						32	1318	1612	1963	2375	2855	3405	1231	1308	1393	1486				
						38	1211	1480	1801	2178	2616	3120	1355	1438	1529	1628				
						43	1120	1365	1657	2001	2401	2863	1481	1567	1662	1765				
UP-SE2008GK-EAE00	5S3BCS6C4FI	CP: 230V-1ph-50Hz Fan: 230V-1ph-50Hz	7,2	SE2008GK-C	303BC1204AA	25	1806	2199	2669	3220	3858	4584	1424	1522	1630	1749				
						32	1654	2017	2448	2951	3531	4191	1589	1696	1815	1945				
						38	1515	1846	2236	2692	3218	3816	1758	1872	1999	2137				
						43	1399	1697	2050	2461	2938	3481	1930	2048	2180	2326				
UP-SE2008GS-EAE00	5S3BOS6C3FI	CP: 400V-3ph-50Hz Fan: 230V-1ph-50Hz	2,7	SE2008GS-O	303B01201AA	25	1807	2201	2670	3222	3860	4588	1397	1493	1599	1715				
						32	1655	2019	2450	2954	3535	4196	1558	1663	1779	1906				
						38	1516	1848	2239	2696	3222	3822	1723	1835	1959	2094				
						43	1400	1700	2053	2465	2943	3488	1891	2007	2136	2278				
UP-SE2010GK-EAE00	5S3CCS6C4FI	CP: 230V-1ph-50Hz Fan: 230V-1ph-50Hz	8,4	SE2010GK-C	303CC1204AA	25	2097	2550	3087	3715	4436	5251	1668	1788	1922	2071				
						32	1915	2331	2821	3390	4041	4776	1865	1997	2143	2304				
						38	1751	2128	2569	3081	3667	4328	2069	2209	2365	2538				
						43	1615	1952	2347	2806	3333	3929	2278	2424	2587	2767				
UP-SE2010GS-EAE00	5S3COS6C3FI	CP: 400V-3ph-50Hz Fan: 230V-1ph-50Hz	4,3	SE2010GS-O	303C01201AA	25	2099	2552	3090	3718	4441	5258	1631	1748	1879	2023				
						32	1917	2334	2825	3395	4047	4784	1823	1951	2094	2251				
						38	1753	2131	2573	3086	3674	4337	2021	2158	2310	2478				
						43	1618	1956	2352	2813	3341	3940	2225	2367	2526	2701				
UP-SE2012GS-EAE00	5S3GOS6C3FI	CP: 400V-3ph-50Hz Fan: 230V-1ph-50Hz	5,4	SE2012GS-O	303G01201AA	25	2793	3406	4142	5014	6030	7198	2105	2240	2387	2547				
						32	2565	3137	3819	4621	5555	6626	2342	2491	2653	2830				
						38	2356	2881	3505	4239	5092	6072	2581	2739	2912	3101				
						43	2180	2657	3225	3894	4674	5573	2820	2984	3165	3363				
UP-SE2014GS-EAE00	5S3DOS6C3FI	CP: 400V-3ph-50Hz Fan: 230V-1ph-50Hz	5,2	SE2014GS-O	303D01201AA	25	3238	3945	4792	5791	6951	8278	2246	2394	2558	2737				
						32	2971	3628	4410	5326	6387	7599	2500	2663	2843	3039				
						38	2726	3329	4041	4877	5844	6949	2757	2930	3122	3332				
						43	2522	3068	3715	4474	5356	6366	3016	3196	3396	3615				
UP-SE2017GS-EAE00	5S3E0S6C3FI	CP: 400V-3ph-50Hz Fan: 230V-1ph-50Hz	6,3	SE2017GS-O	303E01201AA	25	3803	4628	5612	6766	8097	9610	2581	2760	2959	3178				
						32	3483	4246	5148	6201	7412	8785	2878	3074	3291	3530				
						38	3192	3888	4706	5660	6758	8003	3181	3390	3621	3876				
						43	2950	3577	4316	5179	6174	7306	3488	3705	3947	4213				
UP-SE2020GS-EAE00	5S3FOS6C3FI	CP: 400V-3ph-50Hz Fan: 230V-1ph-50Hz	6,9	SE2020GS-O	303FO1201AA	25	4403	5350	6473	7782	9282	10973	3012	3232	3477	3749				
						32	4023	4894	5917	7104	8458	9982	3364	3604	3871	4167				
						38	3681	4470	5393	6461	7680	9052	3729	3984	4268	4583				
						43	3399	4105	4933	5892	6989	8228	4102	4367	4663	4992				

GENERAL DATA & PERFORMANCE

		ECO DESIGN		DIMENSIONS (mm)			WEIGHT	ACOUSTICS dB (A)		CONDENSER/FAN						LIQUID RECEIVER	CONNECTION DIAMETERS			
-15°C	-10°C	Type	Cop/Seer	W (width)	D (depth)	H (height)	Net (kg)	Sound Press. @10m	Sound power level	Number of fan	Fan diameter (mm)	Airflow (m³/h)	Fan power (W)	Voltage supply (V)	Internal volume (dm³)	dm³	Suction (mm)	Liquid (mm)	Suction (")	Liquid (")
849	954	COP	0,98	982	484	600	69	29	60	1	350	1695	67	230/1/50	0,23	1,6	12	6	1/2	1/4
894	1001																			
921	1026																			
933	1033																			
913	1025	COP	1	982	484	600	69	29	60	1	350	1695	67	230/1/50	0,23	1,6	12	8	1/2	3/8
957	1079																			
992	1121																			
1016	1151																			
1135	1274	COP	1,09	982	484	600	69	29	60	1	350	1523	67	230/1/50	0,45	2,3	16	8	1/2	3/8
1193	1341																			
1239	1391																			
1270	1425																			
1640	1840	COP	1,09	1082	490	708	88	34	65	1	400	2673	120	230/1/50	0,71	3,9	16	8	1/2	3/8
1722	1931																			
1791	2012																			
1847	2080																			
1440	1539	COP	1,08	1082	490	708	92	33	64	1	400	2673	120	230/1/50	0,71	3,9	18	10	3/4	3/8
1599	1706																			
1749	1865																			
1893	2015																			
1428	1526	COP	1,09	1082	490	708	92	33	64	1	400	2673	120	230/1/50	0,71	3,9	18	10	3/4	3/8
1585	1692																			
1735	1849																			
1877	1998																			
1879	2020	COP	1,05	1082	490	708	92	33	64	1	400	2673	120	230/1/50	0,71	3,9	18	10	3/4	3/8
2087	2240																			
2289	2453																			
2484	2656																			
1842	1980	COP	1,08	1082	490	708	92	33	64	1	400	2673	120	230/1/50	0,71	3,9	18	10	3/4	3/8
2045	2195																			
2242	2403																			
2433	2602																			
2234	2412	COP	1,04	1082	490	708	92	33	64	1	400	2673	120	230/1/50	0,71	3,9	18	10	3/4	3/8
2482	2675																			
2727	2933																			
2965	3182																			
2182	2356	COP	1,06	1082	490	708	92	33	64	1	400	2673	120	230/1/50	0,71	3,9	18	10	3/4	3/8
2424	2612																			
2662	2863																			
2894	3105																			
2721	2907	SEPR	1,77	1277	538	1005	107	36	67	1	500	5195	220	230/1/50	1,34	6	22	12	7/8	1/2
3020	3225																			
3306	3525																			
3577	3808																			
2931	3142	SEPR	1,91	1277	538	1005	107	36	67	1	500	5195	220	230/1/50	1,34	6	22	12	7/8	1/2
3251	3481																			
3559	3805																			
3853	4111																			
3418	3680	SEPR	1,95	1277	538	1005	107	36	67	1	500	5195	220	230/1/50	1,34	6	22	12	7/8	1/2
3791	4075																			
4154	4456																			
4504	4821																			
4049	4378	SEPR	1,93	1277	538	1005	107	36	67	1	500	5195	220	230/1/50	1,34	6	22	12	7/8	1/2
4492	4848																			
4929	5307																			
5353	5749																			

Note: Subject to modification without prior notification.

R452A - LBP - SH10K

CONDENSING UNITS				COMPRESSORS		AMBIENT TEMP. (°C)	EN13125 - SUBCOOLING OK - MIDPOINT								POWER INPUT (W)			
CONDENSING UNITS MODELS	CONDENSING UNIT BOM	VOLTAGE SUPPLY (V)	I NOM (A)	COMPRESSOR MODELS	COMPRESSOR BOM		COOLING CAPACITY (W)											
							-35°C	-30°C	-25°C	-20°C	-15°C	-10°C	-35°C	-30°C	-25°C	-20°C		
UP-NT2180GK-EAE00	503HAS6C4FI	CP: 230V-1ph-50Hz Fan: 230V-1ph-50Hz	2,4	NT2180GK-A-CSR	923HA0404AF	25	571	732	932	1168	1435	1730	556	611	674	749		
						32	487	634	812	1019	1252	1507	552	623	700	785		
						38	412	546	705	887	1090	1313	557	638	722	811		
						43	-	474	616	777	956	1151	-	648	735	824		
UP-NT2192GK-EAE00	503EAS6C4FI	CP: 230V-1ph-50Hz Fan: 230V-1ph-50Hz	2,7	NT2192GK-A-CSR	923EA0404AF	25	615	787	992	1229	1499	1799	580	651	725	807		
						32	522	677	859	1070	1309	1574	584	664	748	839		
						38	441	580	743	931	1143	1379	586	674	765	864		
						43	-	503	649	816	1006	1217	-	679	776	881		
UP-NT2212GK-EAE00	505DAS6C4FI	CP: 230V-1ph-50Hz Fan: 230V-1ph-50Hz	3,7	NT2212GK-A-CSR	925DA0204AF	25	814	1038	1314	1643	2023	2451	708	793	889	998		
						32	693	899	1149	1445	1785	2165	711	811	921	1043		
						38	589	777	1003	1269	1572	1912	718	830	950	1079		
						43	-	677	882	1121	1394	1699	-	844	970	1105		
UP-NJX2219GS-EAE00	545ASS6C3FI	CP: 400V-3ph-50Hz Fan: 230V-1ph-50Hz	2,3	NJX2219GS-M	945AS2101AA	25	1118	1478	1922	2442	3030	3677	994	1128	1277	1441		
						32	1016	1338	1730	2189	2706	3274	1031	1175	1334	1508		
						38	896	1186	1537	1945	2405	2908	1052	1207	1377	1562		
						43	783	1047	1365	1733	2146	2597	1060	1227	1408	1604		
UP-SE2006GK-EAE00	5S3ACS6C4FI	CP: 230V-1ph-50Hz Fan: 230V-1ph-50Hz	5,6	SE2006GK-C	303AC1204AA	25	1316	1621	1991	2435	2959	3567	1115	1180	1253	1333		
						32	1178	1460	1801	2208	2688	3245	1219	1294	1377	1469		
						38	1054	1311	1621	1992	2430	2940	1341	1422	1512	1610		
						43	950	1181	1462	1799	2200	2667	1466	1549	1641	1744		
UP-SE2006GS-EAE00	5S3AOS6C3FI	CP: 400V-3ph-50Hz Fan: 230V-1ph-50Hz	2,4	SE2006GS-O	303A01201AA	25	1317	1621	1992	2436	2959	3568	1106	1171	1243	1322		
						32	1178	1460	1801	2209	2689	3247	1209	1284	1366	1457		
						38	1055	1312	1622	1993	2432	2942	1330	1410	1499	1597		
						43	950	1182	1463	1801	2201	2669	1453	1536	1628	1729		
UP-SE2008GK-EAE00	5S3BCS6C4FI	CP: 230V-1ph-50Hz Fan: 230V-1ph-50Hz	7,2	SE2008GK-C	303BC1204AA	25	1650	2030	2488	3033	3671	4407	1415	1505	1606	1719		
						32	1472	1821	2239	2735	3316	3984	1557	1660	1776	1904		
						38	1314	1628	2006	2455	2980	3586	1722	1832	1955	2092		
						43	1179	1461	1800	2205	2681	3233	1888	2001	2128	2268		
UP-SE2008GS-EAE00	5S3BOS6C3FI	CP: 400V-3ph-50Hz Fan: 230V-1ph-50Hz	2,7	SE2008GS-O	303B01201AA	25	1652	2031	2490	3036	3675	4411	1388	1476	1575	1686		
						32	1474	1822	2241	2738	3320	3989	1527	1628	1741	1866		
						38	1315	1630	2009	2458	2985	3592	1688	1796	1916	2050		
						43	1181	1463	1803	2209	2686	3240	1851	1961	2085	2222		
UP-SE2010GK-EAE00	5S3CCS6C4FI	CP: 230V-1ph-50Hz Fan: 230V-1ph-50Hz	8,4	SE2010GK-C	303CC1204AA	25	1911	2346	2871	3491	4212	5037	1650	1761	1886	2028		
						32	1700	2098	2574	3135	3786	4530	1825	1951	2093	2252		
						38	1513	1870	2297	2800	3386	4057	2024	2158	2309	2478		
						43	1355	1673	2053	2504	3031	3638	2224	2361	2516	2688		
UP-SE2010GS-EAE00	5S3COS6C3FI	CP: 400V-3ph-50Hz Fan: 230V-1ph-50Hz	4,3	SE2010GS-O	303C01201AA	25	1913	2349	2874	3495	4217	5044	1613	1722	1844	1982		
						32	1703	2101	2578	3140	3792	4538	1783	1906	2045	2200		
						38	1516	1874	2302	2806	3394	4067	1977	2108	2256	2420		
						43	1358	1677	2058	2511	3040	3650	2172	2305	2456	2624		
UP-SE2012GS-EAE00	5S3GOS6C3FI	CP: 400V-3ph-50Hz Fan: 230V-1ph-50Hz	5,4	SE2012GS-O	303G01201AA	25	2562	3155	3876	4739	5758	6942	2105	2229	2366	2518		
						32	2293	2842	3505	4298	5233	6318	2302	2444	2602	2775		
						38	2052	2553	3157	3880	4733	5726	2533	2686	2855	3042		
						43	1849	2301	2848	3505	4285	5197	2768	2925	3101	3295		
UP-SE2014GS-EAE00	5S3DOS6C3FI	CP: 400V-3ph-50Hz Fan: 230V-1ph-50Hz	5,2	SE2014GS-O	303D01201AA	25	2965	3649	4477	5466	6627	7971	2238	2375	2528	2697		
						32	2651	3282	4042	4947	6009	7237	2453	2610	2784	2977		
						38	2372	2945	3635	4457	5424	6544	2703	2871	3058	3264		
						43	2135	2651	3275	4021	4902	5927	2956	3128	3321	3535		
UP-SE2017GS-EAE00	5S3EOS6C3FI	CP: 400V-3ph-50Hz Fan: 230V-1ph-50Hz	6,3	SE2017GS-O	303E01201AA	25	3475	4270	5230	6371	7704	9235	2562	2727	2913	3121		
						32	3101	3832	4709	5748	6959	8350	2819	3007	3218	3453		
						38	2769	3430	4223	5161	6258	7521	3115	3316	3541	3791		
						43	2489	3081	3793	4640	5635	6786	3412	3618	3849	4106		
UP-SE2020GS-EAE00	5S3FOS6C3FI	CP: 400V-3ph-50Hz Fan: 230V-1ph-50Hz	6,9	SE2020GS-O	303FO1201AA	25	4012	4923	6018	7311	8811	10521	2977	3179	3409	3670		
						32	3573	4406	5399	6569	7923	9467	3290	3520	3779	4070		
						38	3183	3932	4824	5874	7094	8487	3645	3890	4165	4472		
						43	2854	3521	4318	5260	6359	7621	4000	4250	4531	4845		

GENERAL DATA & PERFORMANCE

		ECO DESIGN		DIMENSIONS (mm)			WEIGHT	ACOUSTICS dB (A)		CONDENSER/FAN						LIQUID RECEIVER	CONNECTION DIAMETERS				
-15°C	-10°C	Type	Cop/Seer	W (width)	D (depth)	H (height)	Net (kg)	Sound Press. @10m	Sound power level	Number of fan	Fan diameter (mm)	Airflow (m ³ /h)	Fan power (W)	Voltage supply (V)	Internal volume (dm ³)	dm ³	Suction (mm)	Liquid (mm)	Suction (")	Liquid (")	
837	942																				
880	987	-	-	982	484	600	69	29	60	1	350	1695	67	230/1/50	0,23	1,6	12	6	1/2	1/4	
907	1012																				
919	1019																				
900	1012																				
943	1063	-	-	982	484	600	69	29	60	1	350	1695	67	230/1/50	0,23	1,6	12	8	1/2	3/8	
975	1103																				
998	1132																				
1121	1260																				
1176	1323	-	-	982	484	600	69	29	60	1	350	1523	67	230/1/50	0,45	2,3	16	8	1/2	3/8	
1219	1370																				
1249	1403																				
1623	1821																				
1699	1908	-	-	1082	490	708	88	34	65	1	400	2673	120	230/1/50	0,71	3,9	16	8	1/2	3/8	
1764	1984																				
1817	2048																				
1421	1518																				
1570	1679	-	-	1082	490	708	92	33	64	1	400	2673	120	230/1/50	0,71	3,9	18	10	3/4	3/8	
1718	1836																				
1856	1977																				
1410	1505																				
1557	1665	-	-	1082	490	708	92	33	64	1	400	2673	120	230/1/50	0,71	3,9	18	10	3/4	3/8	
1704	1820																				
1840	1961																				
1845	1986																				
2045	2201	-	-	1082	490	708	92	33	64	1	400	2673	120	230/1/50	0,71	3,9	18	10	3/4	3/8	
2242	2407																				
2423	2592																				
1809	1946																				
2004	2157	-	-	1082	490	708	92	33	64	1	400	2673	120	230/1/50	0,71	3,9	18	10	3/4	3/8	
2197	2358																				
2374	2539																				
2188	2367																				
2429	2625	-	-	1082	490	708	92	33	64	1	400	2673	120	230/1/50	0,71	3,9	18	10	3/4	3/8	
2664	2869																				
2878	3087																				
2138	2312																				
2372	2563	-	-	1082	490	708	92	33	64	1	400	2673	120	230/1/50	0,71	3,9	18	10	3/4	3/8	
2602	2801																				
2810	3014																				
2685	2868																				
2966	3173	-	-	1277	538	1005	107	36	67	1	500	5195	220	230/1/50	1,34	6	22	12	7/8	1/2	
3247	3469																				
3507	3737																				
2885	3094																				
3190	3423	-	-	1277	538	1005	107	36	67	1	500	5195	220	230/1/50	1,34	6	22	12	7/8	1/2	
3492	3740																				
3769	4025																				
3354	3615																				
3714	4002	-	-	1277	538	1005	107	36	67	1	500	5195	220	230/1/50	1,34	6	22	12	7/8	1/2	
4067	4370																				
4390	4700																				
3963	4294																				
4394	4754	-	-	1277	538	1005	107	36	67	1	500	5195	220	230/1/50	1,34	6	22	12	7/8	1/2	
4813	5188																				
5193	5574																				

Note: Subject to modification without prior notification.

R404A - LBP - RTG20

CONDENSING UNITS				COMPRESSORS		AMBIENT TEMP. (°C)	EN13125 - SUBCOOLING 0K - MIDPOINT								POWER INPUT (W)					
CONDENSING UNITS MODELS	CONDENSING UNIT BOM	VOLTAGE SUPPLY (V)	I NOM (A)	COMPRESSOR MODELS	COMPRESSOR BOM		COOLING CAPACITY (W)								-35°C	-30°C	-25°C	-20°C		
UP-NT2180GK-EAE00	503HAS6C4FI	CP: 230V-1ph-50Hz Fan: 230V-1ph-50Hz	2,4	NT2180GK-A-CSR	923HA0404AF	25	632	803	1009	1245	1504	1780	567	622	683	753				
						32	554	712	898	1107	1334	1572	569	638	711	791				
						38	488	634	801	987	1185	1392	575	653	734	820				
						43	-	568	720	885	1060	1240	-	666	752	842				
UP-NT2192GK-EAE00	503EAS6C4FI	CP: 230V-1ph-50Hz Fan: 230V-1ph-50Hz	2,7	NT2192GK-A-CSR	923EA0404AF	25	681	866	1078	1315	1574	1851	590	663	736	813				
						32	594	762	953	1165	1396	1643	600	679	760	846				
						38	523	675	847	1038	1244	1462	605	691	780	875				
						43	-	604	760	931	1116	1311	-	700	796	901				
UP-NT2212GK-EAE00	505DAS6C4FI	CP: 230V-1ph-50Hz Fan: 230V-1ph-50Hz	3,7	NT2212GK-A-CSR	925DA0204AF	25	903	1140	1423	1750	2112	2504	719	805	899	1004				
						32	786	1005	1265	1562	1889	2239	731	827	933	1048				
						38	694	896	1133	1402	1696	2010	741	848	964	1089				
						43	-	807	1025	1268	1534	1815	-	867	991	1124				
UP-NJX2219GS-EAE00	545ASS6C3FI	CP: 400V-3ph-50Hz Fan: 230V-1ph-50Hz	2,3	NJX2219GS-M	945AS2101AA	25	1335	1714	2165	2681	3252	3870	1047	1180	1322	1477				
						32	1213	1553	1957	2417	2925	3472	1083	1227	1382	1549				
						38	1092	1401	1766	2179	2635	3123	1109	1264	1431	1612				
						43	-	1266	1599	1976	2388	2829	-	1291	1469	1662				
UP-SE2006GK-EAE00	5S3ACS6C4FI	CP: 230V-1ph-50Hz Fan: 230V-1ph-50Hz	5,6	SE2006GK-C	303AC1204AA	25	1440	1779	2178	2633	3145	3710	1113	1185	1265	1352				
						32	1321	1631	1993	2406	2868	3376	1235	1313	1399	1491				
						38	1209	1491	1819	2192	2609	3068	1358	1441	1532	1631				
						43	1113	1370	1667	2005	2383	2799	1487	1575	1670	1773				
UP-SE2006GS-EAE00	5S3AOS6C3FI	CP: 400V-3ph-50Hz Fan: 230V-1ph-50Hz	2,4	SE2006GS-O	303A01201AA	25	1440	1780	2178	2634	3146	3711	1104	1176	1255	1341				
						32	1321	1632	1994	2407	2869	3378	1225	1303	1387	1479				
						38	1209	1491	1820	2193	2610	3070	1347	1430	1520	1617				
						43	1114	1370	1668	2006	2385	2801	1475	1561	1656	1758				
UP-SE2008GK-EAE00	5S3BCS6C4FI	CP: 230V-1ph-50Hz Fan: 230V-1ph-50Hz	7,2	SE2008GK-C	303BC1204AA	25	1812	2233	2723	3280	3899	4575	1422	1521	1631	1751				
						32	1656	2038	2481	2982	3536	4140	1581	1689	1807	1935				
						38	1511	1857	2255	2705	3202	3742	1748	1862	1988	2125				
						43	1389	1701	2060	2464	2911	3396	1925	2046	2179	2323				
UP-SE2008GS-EAE00	5S3BOS6C3FI	CP: 400V-3ph-50Hz Fan: 230V-1ph-50Hz	2,7	SE2008GS-O	303B01201AA	25	1813	2234	2725	3283	3902	4579	1394	1492	1599	1717				
						32	1657	2040	2484	2985	3540	4146	1551	1656	1771	1897				
						38	1512	1859	2258	2708	3206	3748	1713	1825	1949	2083				
						43	1390	1703	2063	2468	2916	3403	1886	2005	2134	2276				
UP-SE2010GK-EAE00	5S3CCS6C4FI	CP: 230V-1ph-50Hz Fan: 230V-1ph-50Hz	8,4	SE2010GK-C	303CC1204AA	25	2103	2586	3145	3775	4470	5222	1665	1787	1922	2070				
						32	1916	2353	2855	3418	4037	4705	1855	1987	2133	2292				
						38	1744	2137	2587	3090	3641	4235	2058	2200	2356	2527				
						43	1601	1954	2356	2806	3298	3827	2277	2427	2593	2774				
UP-SE2010GS-EAE00	5S3COS6C3FI	CP: 400V-3ph-50Hz Fan: 230V-1ph-50Hz	4,3	SE2010GS-O	303C01201AA	25	2105	2588	3148	3779	4475	5229	1628	1747	1879	2023				
						32	1918	2356	2859	3423	4044	4714	1813	1942	2084	2239				
						38	1747	2141	2591	3096	3649	4245	2010	2149	2301	2467				
						43	1604	1958	2362	2813	3307	3838	2223	2369	2531	2707				
UP-SE2012GS-EAE00	5S3GOS6C3FI	CP: 400V-3ph-50Hz Fan: 230V-1ph-50Hz	5,4	SE2012GS-O	303G01201AA	25	2802	3462	4238	5125	6121	7221	2101	2238	2389	2553				
						32	2571	3175	3880	4684	5583	6574	2332	2480	2642	2817				
						38	2353	2902	3542	4269	5081	5975	2564	2723	2895	3081				
						43	2167	2667	3247	3906	4642	5452	2808	2974	3154	3350				
UP-SE2014GS-EAE00	5S3DOS6C3FI	CP: 400V-3ph-50Hz Fan: 230V-1ph-50Hz	5,2	SE2014GS-O	303D01201AA	25	3248	4008	4897	5910	7041	8283	2241	2393	2559	2741				
						32	2977	3670	4476	5390	6409	7524	2488	2651	2830	3024				
						38	2721	3351	4080	4906	5823	6827	2740	2914	3104	3311				
						43	2506	3077	3737	4484	5314	6221	3005	3188	3388	3605				
UP-SE2017GS-EAE00	5S3EOS6C3FI	CP: 400V-3ph-50Hz Fan: 230V-1ph-50Hz	6,3	SE2017GS-O	303E01201AA	25	3815	4698	5725	6888	8178	9583	2576	2759	2960	3181				
						32	3488	4290	5217	6263	7419	8675	2864	3060	3276	3512				
						38	3184	3910	4745	5685	6722	7846	3162	3372	3603	3854				
						43	2928	3585	4338	5184	6117	7129	3480	3702	3945	4210				
UP-SE2020GS-EAE00	5S3FOS6C3FI	CP: 400V-3ph-50Hz Fan: 230V-1ph-50Hz	6,9	SE2020GS-O	303F01201AA	25	4416	5425	6591	7903	9346	10904	3006	3229	3476	3748				
						32	4025	4938	5987	7160	8446	9830	3347	3587	3853	4145				
						38	3667	4490	5430	6478	7625	8857	3709	3967	4252	4564				
						43	3370	4109	4952	5891	6916	8016	4098	4372	4674	5004				

GENERAL DATA & PERFORMANCE

		ECO DESIGN		DIMENSIONS (mm)			WEIGHT	ACOUSTICS dB (A)		CONDENSER/FAN						LIQUID RECEIVER	CONNECTION DIAMETERS			
-15°C	-10°C	Type	Cop/Seer	W (width)	D (depth)	H (height)	Net (kg)	Sound Press. @10m	Sound power level	Number of fan	Fan diameter (mm)	Airflow (m³/h)	Fan power (W)	Voltage supply (V)	Internal volume (dm³)	dm³	Suction (mm)	Liquid (mm)	Suction (")	Liquid (")
835	930	COP	0,97	982	484	600	69	29	60	1	350	1695	67	230/1/50	0,23	1,6	12	6	1/2	1/4
881	980																			
914	1015																			
937	1039																			
899	999	COP	0,99	982	484	600	69	29	60	1	350	1695	67	230/1/50	0,23	1,6	12	8	1/2	3/8
942	1054																			
982	1106																			
1018	1152																			
1119	1245	COP	1,08	982	484	600	69	29	60	1	350	1523	67	230/1/50	0,45	2,3	16	8	1/2	3/8
1174	1310																			
1224	1369																			
1267	1420																			
1644	1825	COP	1,12	1082	490	708	88	34	65	1	400	2673	120	230/1/50	0,71	3,9	16	8	1/2	3/8
1731	1928																			
1807	2019																			
1870	2095																			
1445	1546	COP	1,07	1082	490	708	92	33	64	1	400	2673	120	230/1/50	0,71	3,9	18	10	3/4	3/8
1591	1698																			
1736	1850																			
1884	2003																			
1434	1533	COP	1,08	1082	490	708	92	33	64	1	400	2673	120	230/1/50	0,71	3,9	18	10	3/4	3/8
1578	1684																			
1722	1834																			
1868	1986																			
1881	2022	COP	1,05	1082	490	708	92	33	64	1	400	2673	120	230/1/50	0,71	3,9	18	10	3/4	3/8
2074	2225																			
2274	2434																			
2480	2649																			
1844	1982	COP	1,07	1082	490	708	92	33	64	1	400	2673	120	230/1/50	0,71	3,9	18	10	3/4	3/8
2033	2180																			
2228	2384																			
2429	2594																			
2232	2408	COP	1,03	1082	490	708	92	33	64	1	400	2673	120	230/1/50	0,71	3,9	18	10	3/4	3/8
2466	2654																			
2713	2914																			
2971	3184																			
2181	2353	COP	1,06	1082	490	708	92	33	64	1	400	2673	120	230/1/50	0,71	3,9	18	10	3/4	3/8
2408	2592																			
2648	2844																			
2898	3106																			
2731	2921	SEPR	1,8	1277	538	1005	107	36	67	1	500	5195	220	230/1/50	1,34	6	22	12	7/8	1/2
3006	3209																			
3281	3496																			
3560	3784																			
2939	3152	SEPR	1,95	1277	538	1005	107	36	67	1	500	5195	220	230/1/50	1,34	6	22	12	7/8	1/2
3234	3461																			
3534	3773																			
3839	4091																			
3421	3682	SEPR	1,98	1277	538	1005	107	36	67	1	500	5195	220	230/1/50	1,34	6	22	12	7/8	1/2
3768	4045																			
4127	4422																			
4497	4807																			
4045	4369	SEPR	1,95	1277	538	1005	107	36	67	1	500	5195	220	230/1/50	1,34	6	22	12	7/8	1/2
4463	4809																			
4904	5274																			
5364	5754																			

Note: Subject to modification without prior notification.

R404A - LBP - SH10K

CONDENSING UNITS				COMPRESSORS		AMBIENT TEMP. (°C)	EN13125 - SUBCOOLING OK - MIDPOINT						POWER INPUT (W)			
CONDENSING UNITS MODELS	CONDENSING UNIT BOM	VOLTAGE SUPPLY (V)	I NOM (A)	COMPRESSOR MODELS	COMPRESSOR BOM		COOLING CAPACITY (W)									
							-35°C	-30°C	-25°C	-20°C	-15°C	-10°C	-35°C	-30°C	-25°C	-20°C
UP-NT2180GK-EAE00	503HAS6C4FI	CP: 230V-1ph-50Hz Fan: 230V-1ph-50Hz	2,4	NT2180GK-A-CSR	923HA0404AF	25	562	729	931	1165	1425	1705	569	619	676	742
						32	492	640	818	1021	1246	1487	562	627	698	777
						38	421	555	712	891	1087	1298	566	642	721	806
						43	-	482	623	782	957	1143	-	655	739	826
UP-NT2192GK-EAE00	503EAS6C4FI	CP: 230V-1ph-50Hz Fan: 230V-1ph-50Hz	2,7	NT2192GK-A-CSR	923EA0404AF	25	607	787	995	1230	1490	1771	585	655	726	801
						32	527	684	867	1073	1302	1550	592	669	747	831
						38	451	590	752	935	1139	1360	597	680	766	859
						43	-	512	657	822	1005	1205	-	688	781	882
UP-NT2212GK-EAE00	505DAS6C4FI	CP: 230V-1ph-50Hz Fan: 230V-1ph-50Hz	3,7	NT2212GK-A-CSR	925DA0204AF	25	801	1032	1312	1637	2002	2402	715	797	889	990
						32	699	906	1155	1444	1767	2123	722	815	918	1031
						38	601	787	1010	1269	1559	1876	730	834	947	1069
						43	-	688	890	1123	1385	1672	-	851	972	1102
UP-NJX2219GS-EAE00	545ASS6C3FI	CP: 400V-3ph-50Hz Fan: 230V-1ph-50Hz	2,3	NJX2219GS-M	945AS2101AA	25	1214	1575	2010	2516	3086	3714	1036	1166	1306	1457
						32	1074	1395	1782	2231	2737	3294	1070	1210	1361	1525
						38	942	1229	1575	1976	2428	2926	1093	1244	1407	1583
						43	825	1084	1397	1759	2167	2615	1107	1268	1442	1630
UP-SE2006GK-EAE00	5S3ACS6C4FI	CP: 230V-1ph-50Hz Fan: 230V-1ph-50Hz	5,6	SE2006GK-C	303AC1204AA	25	1300	1627	2017	2469	2984	3561	1123	1188	1260	1340
						32	1169	1464	1815	2221	2684	3203	1212	1287	1369	1459
						38	1040	1305	1620	1986	2403	2872	1328	1409	1497	1594
						43	928	1166	1450	1781	2159	2585	1455	1538	1630	1731
UP-SE2006GS-EAE00	5S3AOS6C3FI	CP: 400V-3ph-50Hz Fan: 230V-1ph-50Hz	2,4	SE2006GS-O	303AO1201AA	25	1300	1628	2017	2470	2985	3562	1114	1179	1250	1329
						32	1169	1465	1815	2222	2685	3204	1203	1276	1358	1447
						38	1040	1306	1621	1987	2404	2873	1318	1397	1485	1581
						43	928	1167	1451	1782	2160	2586	1443	1525	1617	1717
UP-SE2008GK-EAE00	5S3BCS6C4FI	CP: 230V-1ph-50Hz Fan: 230V-1ph-50Hz	7,2	SE2008GK-C	303BC1204AA	25	1633	2038	2516	3067	3689	4379	1422	1511	1611	1722
						32	1460	1823	2250	2742	3297	3914	1547	1649	1762	1888
						38	1293	1617	1999	2439	2936	3489	1706	1816	1938	2072
						43	1149	1439	1781	2176	2624	3124	1877	1991	2118	2258
UP-SE2008GS-EAE00	5S3BOS6C3FI	CP: 400V-3ph-50Hz Fan: 230V-1ph-50Hz	2,7	SE2008GS-O	303BO1201AA	25	1634	2040	2518	3070	3693	4384	1395	1482	1580	1689
						32	1462	1825	2253	2746	3302	3919	1517	1617	1728	1851
						38	1295	1620	2002	2443	2941	3495	1672	1780	1899	2031
						43	1151	1442	1785	2181	2630	3131	1839	1951	2075	2212
UP-SE2010GK-EAE00	5S3CCS6C4FI	CP: 230V-1ph-50Hz Fan: 230V-1ph-50Hz	8,4	SE2010GK-C	303CC1204AA	25	1892	2356	2900	3523	4220	4987	1655	1764	1888	2027
						32	1685	2098	2582	3134	3754	4436	1811	1936	2076	2232
						38	1486	1854	2284	2776	3328	3936	2005	2140	2290	2457
						43	1318	1645	2028	2468	2962	3510	2214	2354	2510	2683
UP-SE2010GS-EAE00	5S3COS6C3FI	CP: 400V-3ph-50Hz Fan: 230V-1ph-50Hz	4,3	SE2010GS-O	303CO1201AA	25	1894	2358	2903	3527	4226	4995	1618	1725	1846	1981
						32	1687	2101	2586	3140	3761	4444	1770	1892	2028	2180
						38	1489	1858	2289	2782	3336	3947	1959	2090	2237	2399
						43	1321	1649	2034	2475	2971	3521	2162	2298	2451	2619
UP-SE2012GS-EAE00	5S3GOS6C3FI	CP: 400V-3ph-50Hz Fan: 230V-1ph-50Hz	5,4	SE2012GS-O	303GO1201AA	25	2529	3167	3925	4805	5808	6931	2120	2244	2380	2532
						32	2276	2851	3533	4324	5225	6236	2289	2430	2586	2757
						38	2025	2542	3155	3867	4680	5593	2509	2660	2828	3012
						43	1807	2272	2825	3469	4206	5036	2747	2905	3080	3271
UP-SE2014GS-EAE00	5S3DOS6C3FI	CP: 400V-3ph-50Hz Fan: 230V-1ph-50Hz	5,2	SE2014GS-O	303DO1201AA	25	2931	3663	4532	5535	6673	7941	2252	2388	2539	2707
						32	2631	3290	4069	4969	5989	7127	2439	2593	2765	2955
						38	2338	2930	3629	4437	5355	6381	2677	2844	3029	3232
						43	2085	2616	3246	3975	4806	5737	2935	3109	3301	3513
UP-SE2017GS-EAE00	5S3EOS6C3FI	CP: 400V-3ph-50Hz Fan: 230V-1ph-50Hz	6,3	SE2017GS-O	303EO1201AA	25	3438	4288	5290	6441	7737	9170	2574	2737	2920	3125
						32	3076	3837	4732	5760	6917	8198	2800	2986	3194	3425
						38	2726	3407	4207	5127	6164	7315	3085	3286	3509	3756
						43	2426	3036	3753	4581	5516	6557	3391	3600	3832	4088
UP-SE2020GS-EAE00	5S3FOS6C3FI	CP: 400V-3ph-50Hz Fan: 230V-1ph-50Hz	6,9	SE2020GS-O	303FO1201AA	25	3973	4943	6079	7375	8822	10410	2985	3185	3411	3666
						32	3540	4405	5414	6566	7852	9265	3265	3492	3748	4033
						38	3128	3897	4796	5822	6970	8234	3611	3856	4131	4435
						43	2777	3463	4266	5184	6216	7354	3981	4237	4521	4836

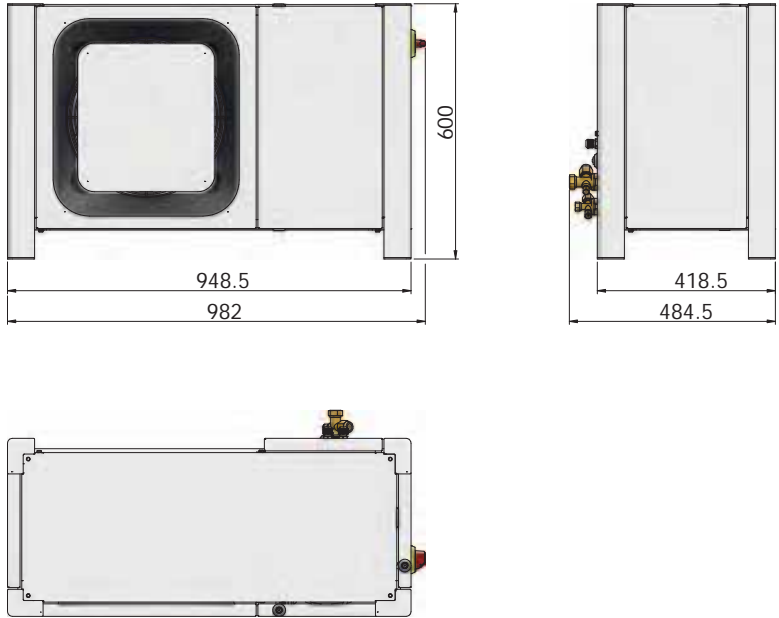
GENERAL DATA & PERFORMANCE

		ECO DESIGN		DIMENSIONS (mm)			WEIGHT	ACOUSTICS dB (A)		CONDENSER/FAN						LIQUID RECEIVER	CONNECTION DIAMETERS			
-15°C	-10°C	Type	Cop/Seer	W (width)	D (depth)	H (height)	Net (kg)	Sound Press. @10m	Sound power level	Number of fan	Fan diameter (mm)	Airflow (m³/h)	Fan power (W)	Voltage supply (V)	Internal volume (dm³)	dm³	Suction (mm)	Liquid (mm)	Suction (")	Liquid (")
821	915	-	-	982	484	600	69	29	60	1	350	1695	67	230/1/50	0,23	1,6	12	6	1/2	1/4
865	965																			
898	1000																			
920	1021																			
886	984	-	-	982	484	600	69	29	60	1	350	1695	67	230/1/50	0,23	1,6	12	8	1/2	3/8
926	1036																			
963	1084																			
995	1127																			
1104	1229	-	-	982	484	600	69	29	60	1	350	1523	67	230/1/50	0,45	2,3	16	8	1/2	3/8
1155	1290																			
1202	1346																			
1242	1393																			
1623	1803	-	-	1082	490	708	88	34	65	1	400	2673	120	230/1/50	0,71	3,9	16	8	1/2	3/8
1704	1900																			
1776	1985																			
1834	2057																			
1429	1526	-	-	1082	490	708	92	33	64	1	400	2673	120	230/1/50	0,71	3,9	18	10	3/4	3/8
1558	1667																			
1700	1816																			
1842	1961																			
1417	1514	-	-	1082	490	708	92	33	64	1	400	2673	120	230/1/50	0,71	3,9	18	10	3/4	3/8
1546	1653																			
1686	1800																			
1826	1945																			
1847	1986	-	-	1082	490	708	92	33	64	1	400	2673	120	230/1/50	0,71	3,9	18	10	3/4	3/8
2027	2179																			
2220	2382																			
2411	2578																			
1811	1947	-	-	1082	490	708	92	33	64	1	400	2673	120	230/1/50	0,71	3,9	18	10	3/4	3/8
1986	2136																			
2175	2334																			
2362	2525																			
2183	2358	-	-	1082	490	708	92	33	64	1	400	2673	120	230/1/50	0,71	3,9	18	10	3/4	3/8
2405	2596																			
2641	2842																			
2873	3080																			
2134	2304	-	-	1082	490	708	92	33	64	1	400	2673	120	230/1/50	0,71	3,9	18	10	3/4	3/8
2349	2535																			
2578	2775																			
2804	3006																			
2699	2884	-	-	1277	538	1005	107	36	67	1	500	5195	220	230/1/50	1,34	6	22	12	7/8	1/2
2944	3150																			
3213	3431																			
3479	3706																			
2894	3102	-	-	1277	538	1005	107	36	67	1	500	5195	220	230/1/50	1,34	6	22	12	7/8	1/2
3164	3393																			
3455	3699																			
3744	3996																			
3355	3612	-	-	1277	538	1005	107	36	67	1	500	5195	220	230/1/50	1,34	6	22	12	7/8	1/2
3680	3961																			
4027	4325																			
4369	4676																			
3953	4275	-	-	1277	538	1005	107	36	67	1	500	5195	220	230/1/50	1,34	6	22	12	7/8	1/2
4350	4701																			
4771	5140																			
5183	5562																			

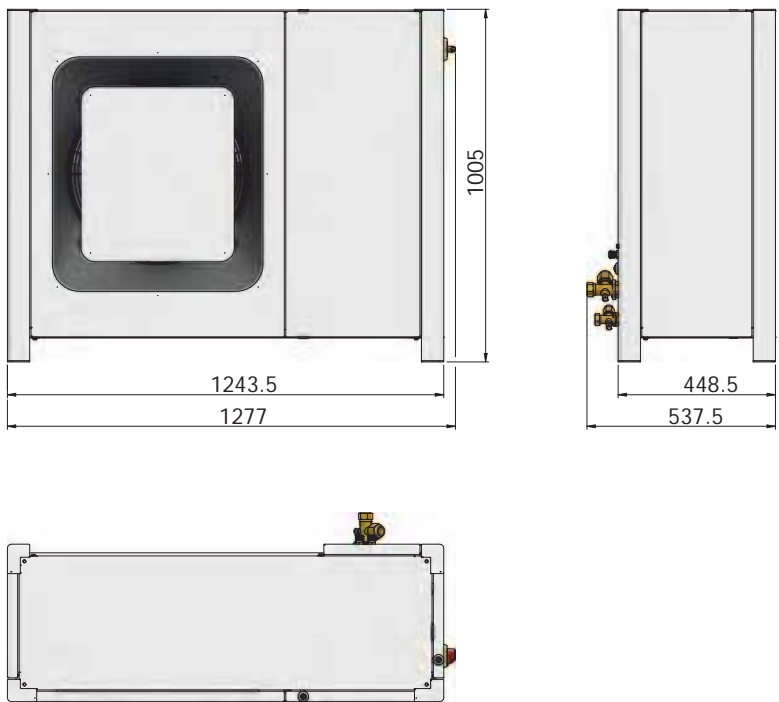
Note: Subject to modification without prior notification.

EXTERNAL VIEWS

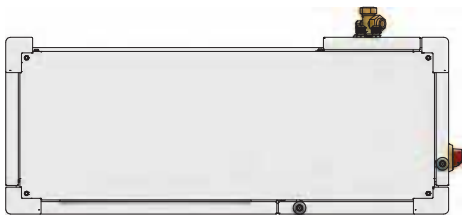
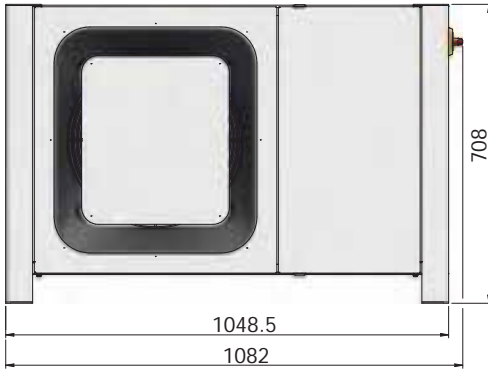
MODEL HOUSING 1



MODEL HOUSING 3



MODEL HOUSING 2



STACKABILITY OPTIONS

DIFFERENT HOUSING SIZES

Different housing sizes with complementary bracket

CONFIGURATIONS	ACCESSORY CODE
Housing 1 to Housing 2	1996761
Housing 1 to Housing 3	1996762
Housing 2 to Housing 3	



SAME HOUSING SIZES

