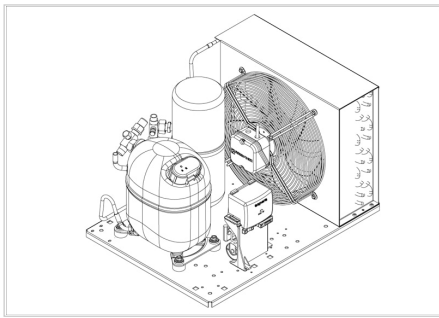


MODEL


**UNJ9232GK**

embraco





**APPROVALS**




 **ENGINEERING CODE**  
643NA5604AA


 **APPROVED REFRIGERANT**  
R452A

 **POWER SUPPLY**  
220 - 240V 50Hz ~

 **STANDARD CONDITIONS**  
EN13215\_SH10

 **APPLICATION**  
M/HBP

 **COOLING CAPACITY**  
1766 W

 **EFFICIENCY**  
1.42 W/W

DATA

## General Data

<b>Weight</b>	46.1 Kg
<b>Receiver</b>	3.9 L
<b>Height</b>	372 mm
<b>Length</b>	600 mm
<b>Width</b>	440 mm
<b>Power Supply</b>	220 - 240 V 50 Hz

## Electrical Data

<b>Motor Type</b>	CSR
<b>Locked Rotor Amperage (LRA)</b>	43 A
<b>Max Current</b>	8.12 A

## Spare Parts

Valve Suction	SOLDER 5/8"	2110054
Fan Kit	S4E300-XX	1996589
Compressor	NJ9232GK	943NA19..AC
Condenser	3R14T	2451198
Electrical Kit	ELKOM NJ9232GK	943NA1104A
Valve Discharge	SOLDER 1/2"	2110050

## Noise Data

Sound Power Level	70.87 dB (A)	-	-
Sound Pressure Level	at 1 m	at 5 m	at 10 m
	62.86729775 dB (A)	48.88789767 dB (A)	42.86729775 dB (A)

## Fan Motor

Number	1
Shaft Power	95 W
Air Flow	1450 m <sup>3</sup> /h
Blade diameter	-

## PERFORMANCE

## Rated Points

Ambient Temperature	Cooling Capacity	Power Consumption	Current	Efficiency
32.00°C	1766 W	1240 W	5.9 A	1.42 W/W

Test Condition: EN13215\_SH10, Return Gas 0 °C, Subcooling 3K , Evaporation -10.00°C, Condensing 0 °C, Ambient 32.00°C

## Performance Curve Data

Ambient Temperature 25°C

Evaporating Temperature °C	Cooling Capacity W	Power Consumption W	Current A	Efficiency W/W
-20	1321	1006	4.95	1.31
-15	1673	1100	5.32	1.52
-10	2070	1209	5.8	1.71
-5	2511	1331	6.35	1.89
0	2998	1467	6.98	2.04
5	3531	1615	7.67	2.19
10	4110	1776	8.41	2.31

Test Condition: EN13215\_SH10, M/HBP

Ambient Temperature 32°C

Evaporating Temperature °C	Cooling Capacity W	Power Consumption W	Current A	Efficiency W/W
-20	1061	1017	4.97	1.04
-15	1394	1122	5.4	1.24
-10	1766	1240	5.9	1.42
-5	2178	1370	6.47	1.59
0	2629	1511	7.08	1.74
5	3121	1663	7.74	1.88
10	3654	1826	8.41	2

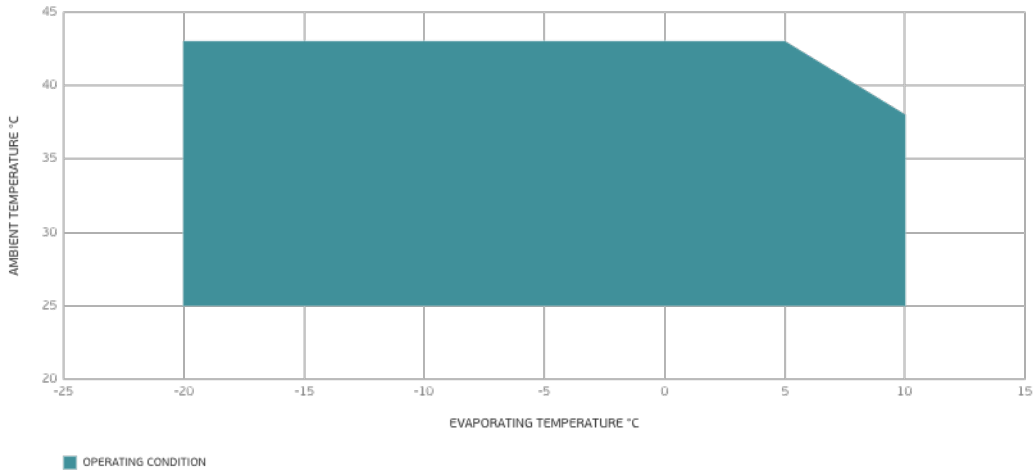
Test Condition: EN13215\_SH10, M/HBP

Ambient Temperature 43°C

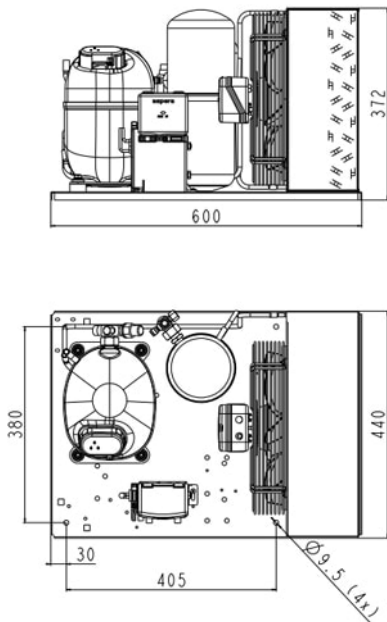
Evaporating Temperature °C	Cooling Capacity W	Power Consumption W	Current A	Efficiency W/W
-20	818	1018	4.92	0.8
-15	1083	1140	5.49	0.95
-10	1379	1272	6.1	1.08
-5	1706	1414	6.74	1.21
0	2064	1564	7.39	1.32
5	2454	1723	8.05	1.42
10	2877	1889	8.69	1.52

Test Condition: EN13215\_SH10, M/HBP

## Operating Envelope



## External Dimensions



## Wiring Diagram

