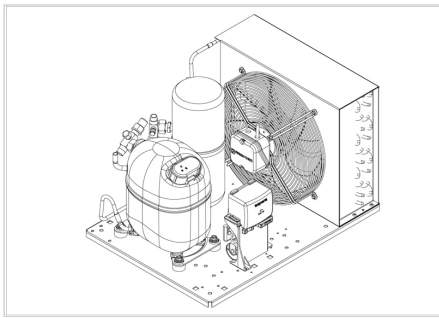


MODEL


UNJ9232GK

embraco





APPROVALS



 **ENGINEERING CODE**
643NA5604AA

 **APPROVED REFRIGERANT**
R449A

 **POWER SUPPLY**
220 - 240V 50Hz ~

 **STANDARD CONDITIONS**
EN13215_SH10

 **APPLICATION**
M/HBP

 **COOLING CAPACITY**
1712 W

 **EFFICIENCY**
1.52 W/W

DATA

General Data

Weight	46.1 Kg
Receiver	3.9 L
Height	372 mm
Length	600 mm
Width	440 mm
Power Supply	220 - 240 V 50 Hz

Electrical Data

Motor Type	CSR
Locked Rotor Amperage (LRA)	43 A
Max Current	8.12 A

Spare Parts

Valve Suction	SOLDER 5/8"	2110054
Fan Kit	S4E300-XX	1996589
Compressor	NJ9232GK	943NA19..AC
Condenser	3R14T	2451198
Electrical Kit	ELKOM NJ9232GK	943NA1104A
Valve Discharge	SOLDER 1/2"	2110050

Noise Data

Sound Power Level	70.87 dB (A)	-	-
Sound Pressure Level	at 1 m	at 5 m	at 10 m
	62.86729775 dB (A)	48.88789767 dB (A)	42.86729775 dB (A)

Fan Motor

Number	1
Shaft Power	95 W
Air Flow	1450 m ³ /h
Blade diameter	-

PERFORMANCE

Rated Points

Ambient Temperature	Cooling Capacity	Power Consumption	Current	Efficiency
32.00°C	1712 W	1126 W	5.37 A	1.52 W/W

Test Condition: EN13215_SH10, Return Gas 0 °C, Subcooling 3K , Evaporation -10.00°C, Condensing 0 °C, Ambient 32.00°C

Performance Curve Data

Ambient Temperature 25°C

Evaporating Temperature °C	Cooling Capacity W	Power Consumption W	Current A	Efficiency W/W
-20	1176	898	4.39	1.31
-15	1518	991	4.77	1.53
-10	1917	1093	5.21	1.75
-5	2378	1205	5.69	1.97
0	2902	1329	6.24	2.18
5	3492	1469	6.87	2.38
10	4150	1627	7.58	2.55

Test Condition: EN13215_SH10, M/HBP

Ambient Temperature 32°C

Evaporating Temperature °C	Cooling Capacity W	Power Consumption W	Current A	Efficiency W/W
-20	1015	922	4.48	1.1
-15	1338	1020	4.9	1.31
-10	1712	1126	5.37	1.52
-5	2138	1244	5.89	1.72
0	2619	1376	6.48	1.9
5	3157	1524	7.15	2.07
10	3755	1691	7.9	2.22

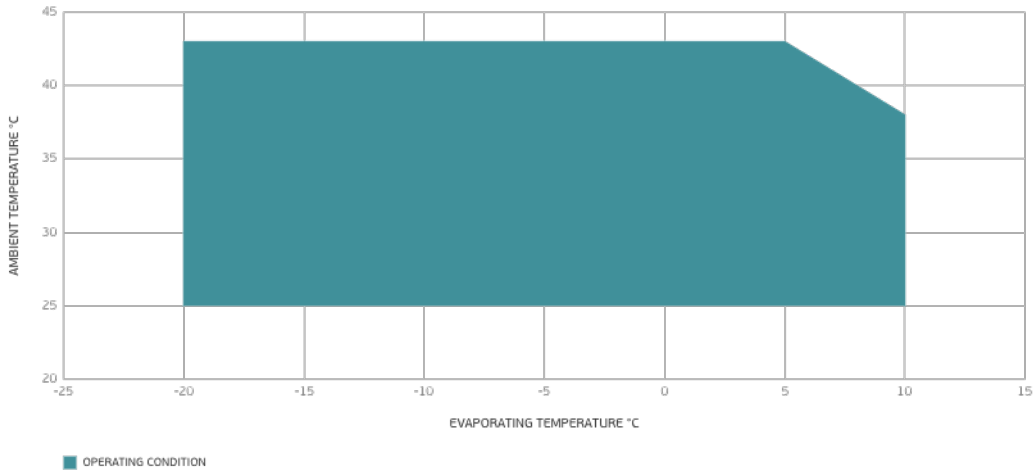
Test Condition: EN13215_SH10, M/HBP

Ambient Temperature 43°C

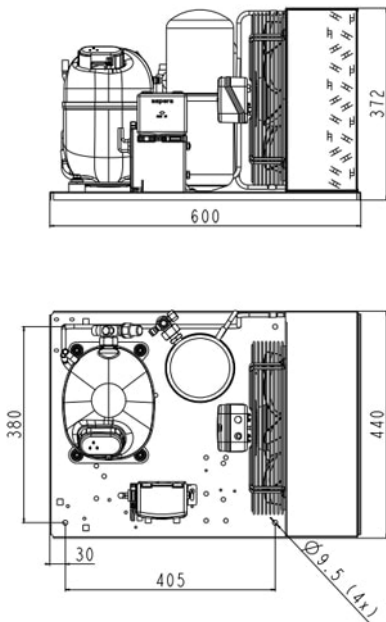
Evaporating Temperature °C	Cooling Capacity W	Power Consumption W	Current A	Efficiency W/W
-20	741	943	4.6	0.79
-15	1017	1055	5.09	0.96
-10	1329	1177	5.64	1.13
-5	1680	1312	6.24	1.28
0	2073	1463	6.91	1.42
5	2509	1632	7.67	1.54
10	2992	1822	8.52	1.64

Test Condition: EN13215_SH10, M/HBP

Operating Envelope



External Dimensions



Wiring Diagram

