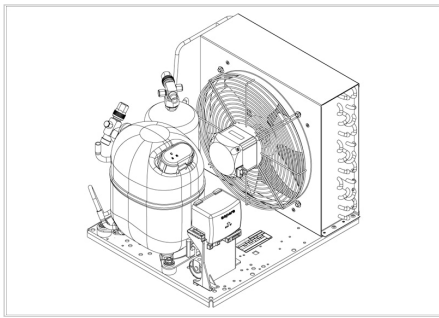


MODEL

UNJ9226GK

embraco





APPROVALS




 **ENGINEERING CODE**
644LV5610AA

 **APPROVED REFRIGERANT**
R404A

 **POWER SUPPLY**
230V 50Hz ~

 **STANDARD CONDITIONS**
EN13215_SH10

 **APPLICATION**
M/HBP

 **COOLING CAPACITY**
1547 W

 **EFFICIENCY**
1.49 W/W

DATA

General Data

Weight	39.6 Kg
Receiver	2.3 L
Height	372 mm
Length	482 mm
Width	411 mm
Power Supply	230 V 50 Hz

Electrical Data

Motor Type	CSR
Locked Rotor Amperage (LRA)	27.5 A
Max Current	6.7 A

Spare Parts

Valve Discharge	SOLDER 3/8"	2110049
Valve Suction	SOLDER 5/8"	2110054
Condenser	3R14T	2451221
Electrical Kit	ELKOM NJ9226GK	944LV1104A
Compressor	NJ9226GK	944LV19..AC
Fan Kit	34W 300/28°/5B	1996585

Noise Data

Sound Power Level	70.42 dB (A)	-	-
Sound Pressure Level	at 1 m	at 5 m	at 10 m
	62.41760231 dB (A)	48.43820222 dB (A)	42.41760231 dB (A)

Fan Motor

Number	1
Shaft Power	34 W
Air Flow	700 m ³ /h
Blade diameter	300 mm

PERFORMANCE

Rated Points

Ambient Temperature	Cooling Capacity	Power Consumption	Current	Efficiency
32.00°C	1547 W	1037 W	4.88 A	1.49 W/W

Test Condition: EN13215_SH10, Return Gas 0 °C, Subcooling 3K , Evaporation -10.00°C, Condensing 0 °C, Ambient 32.00°C

Performance Curve Data

Ambient Temperature 25°C

Evaporating Temperature °C	Cooling Capacity W	Power Consumption W	Current A	Efficiency W/W
-20	1156	824	4	1.4
-15	1444	907	4.31	1.59
-10	1770	1004	4.7	1.76
-5	2129	1113	5.15	1.91
0	2520	1232	5.66	2.05
5	2939	1360	6.24	2.16
10	3382	1494	6.88	2.26

Test Condition: EN13215_SH10, M/HBP

Ambient Temperature 32°C

Evaporating Temperature °C	Cooling Capacity W	Power Consumption W	Current A	Efficiency W/W
-20	963	851	4.13	1.13
-15	1237	937	4.47	1.32
-10	1547	1037	4.88	1.49
-5	1889	1149	5.35	1.64
0	2260	1271	5.89	1.78
5	2657	1403	6.47	1.89
10	3077	1542	7.12	2

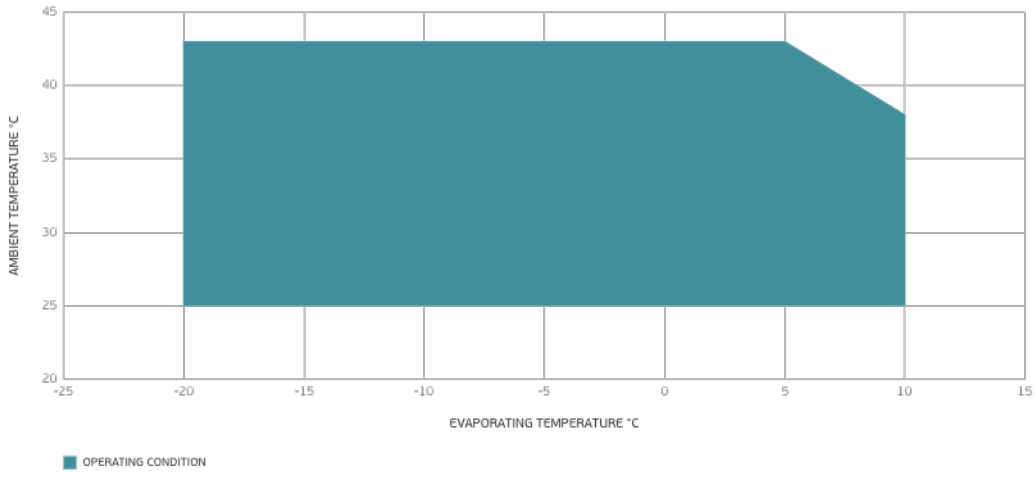
Test Condition: EN13215_SH10, M/HBP

Ambient Temperature 43°C

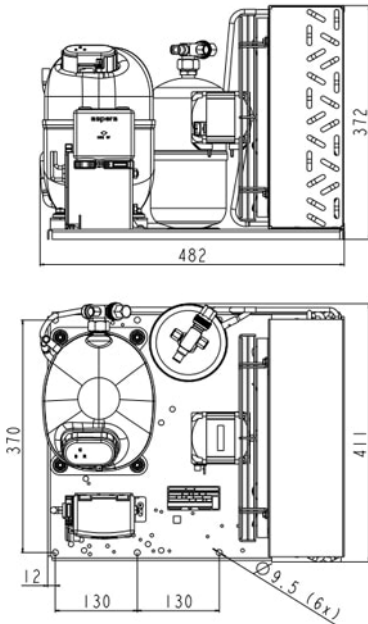
Evaporating Temperature °C	Cooling Capacity W	Power Consumption W	Current A	Efficiency W/W
-20	809	872	4.21	0.93
-15	1071	964	4.61	1.11
-10	1365	1071	5.06	1.28
-5	1690	1190	5.57	1.42
0	2041	1321	6.13	1.55
5	2414	1460	6.74	1.65
10	2808	1608	7.4	1.75

Test Condition: EN13215_SH10, M/HBP

Operating Envelope



External Dimensions



Wiring Diagram

