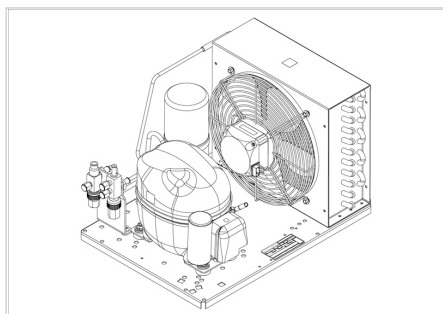


MODEL

**UNEK6181GK**

embraco





APPROVALS




 **ENGINEERING CODE**  
557MA8212AA

 **APPROVED REFRIGERANT**  
R452A

 **POWER SUPPLY**  
220 - 240V 50Hz ~

 **STANDARD CONDITIONS**  
EN13215\_SH10

 **APPLICATION**  
M/HBP

 **COOLING CAPACITY**  
591 W

 **EFFICIENCY**  
1.38 W/W

DATA

## General Data

Weight	21 Kg
Receiver	1.1 L
Height	296 mm
Length	465 mm
Width	340 mm
Power Supply	220 - 240 V 50 Hz

## Electrical Data

Motor Type	CSIR
Locked Rotor Amperage (LRA)	12 A
Max Current	2.7 A

## Spare Parts

Condenser	3R11T	2451206
Valve Suction	FLARE 3/8"	2110059
Valve Discharge	FLARE 1/4"	2110085
Compressor	NEK6181GK	957MA51..AN
Electrical Kit	ELKOM NEK6181GK	957MA51N1A
Fan Kit	16W 254/28°/5B	1996610

## Noise Data

Sound Power Level	64.3 dB (A)	-	-
Sound Pressure Level	at 1 m	at 5 m	at 10 m
	56.30379466 dB (A)	42.32439457 dB (A)	36.30379466 dB (A)

## Fan Motor

Number	1
Shaft Power	16 W
Air Flow	595 m³/h
Blade diameter	254 mm

## PERFORMANCE

## Rated Points

Ambient Temperature	Cooling Capacity	Power Consumption	Current	Efficiency
32.00°C	591 W	427 W	2.83 A	1.38 W/W

Test Condition: EN13215\_SH10, Return Gas 0 °C, Subcooling 3K , Evaporation -10.00°C, Condensing 0 °C, Ambient 32.00°C

## Performance Curve Data

Ambient Temperature 25°C

Evaporating Temperature °C	Cooling Capacity W	Power Consumption W	Current A	Efficiency W/W
-20	414	344	2.48	1.21
-15	522	377	2.6	1.39
-10	642	412	2.73	1.56
-5	779	449	2.87	1.74
0	937	486	3	1.93
5	1120	524	3.15	2.14
10	1331	560	3.3	2.38

Test Condition: EN13215\_SH10, M/HBP

Ambient Temperature 32°C

Evaporating Temperature °C	Cooling Capacity W	Power Consumption W	Current A	Efficiency W/W
-20	369	357	2.58	1.03
-15	474	391	2.7	1.21
-10	591	427	2.83	1.38
-5	726	466	2.97	1.56
0	883	507	3.11	1.74
5	1065	548	3.25	1.94
10	1277	589	3.41	2.17

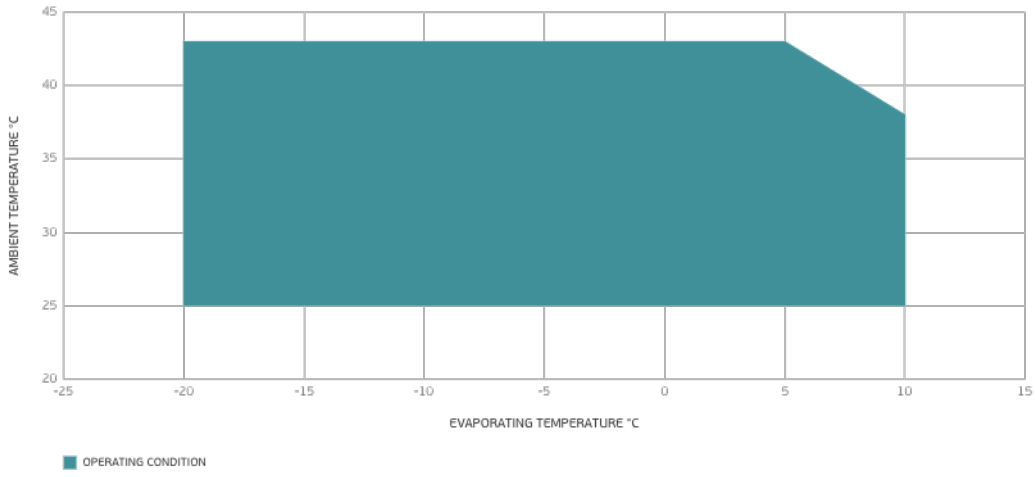
Test Condition: EN13215\_SH10, M/HBP

Ambient Temperature 43°C

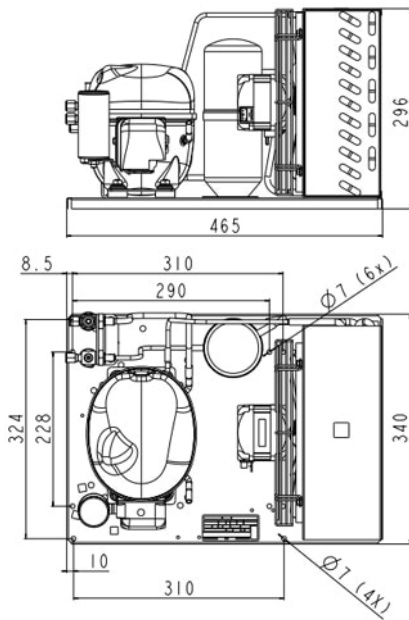
Evaporating Temperature °C	Cooling Capacity W	Power Consumption W	Current A	Efficiency W/W
-20	304	370	2.55	0.82
-15	394	412	2.72	0.96
-10	499	460	2.89	1.09
-5	623	510	3.06	1.22
0	770	564	3.25	1.37
5	944	619	3.43	1.53
10	1149	675	3.63	1.7

Test Condition: EN13215\_SH10, M/HBP

## Operating Envelope



## External Dimensions



## Wiring Diagram

