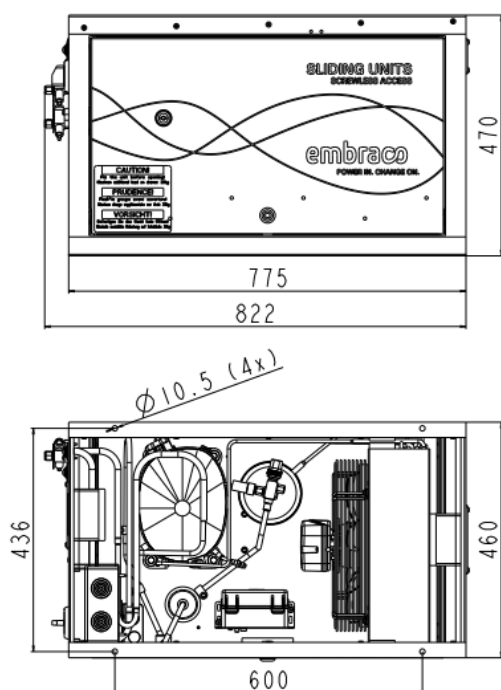


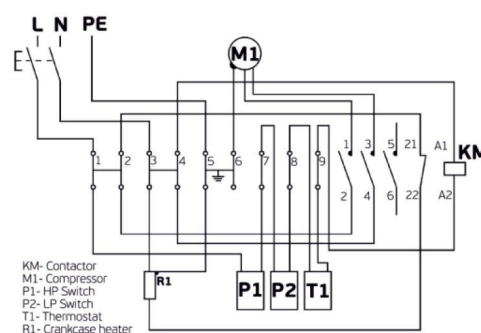
GENERAL DATA

Application:	M/HBP
Refrigerant:	R404A
Expansion Device:	C-V
Weight:	75.5 kg
Receiver:	2.3 liter
Voltage/Frequency:	220 - 240 V 50 ~
Height:	75.5 mm
Length:	822 mm
Width:	460 mm
Institute Approvals:	CE

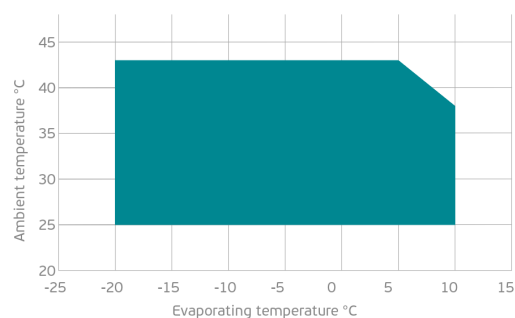
EXTERNAL DIMENSIONS



WIRING DIAGRAM



OPERATING ENVELOPE



COMPONENTS (SPARE PARTS)

dryer:	FILTER DRYER 10MM ODF	2730010
condenser:	3R14T	2451221
valve_suca:	SOLDER 1/2"	2110118
hpressostat:	P100CP-106D	2466034
flexihose:	FLEXI HOSE 12MM ODF	2464244
compressor:	NT6226GK	923BA02..AC

sightglass:	SIGHT GLASS 10MM ODF	2464040
fankit:	S4E300-XX	1996589
valve_disch:	SOLDER 3/8"	2110119
lpressostat:	PS1-A3K	2466036
heater:	CRANKCASE HEATER 230V/40W	2464205
elkit:	ELECTRICAL BOX/PROTECTOR	1996566/2289018

For additional accessories please contact our technical support

ELECTRICAL DATA

Motor Type: CSR -
Locked Rotor Amperage (RLA): 38 A
Max.Current: 7.2 A

At maximum evaporating temperature and maximum ambient temperature.

FAN MOTOR

Number: 1 -
Shaft Power: 95 W
Air Flow: 1450 m³/hod
Blade Diameter: - mm

PERFORMANCE CURVE DATA

Standard: EN13215_RG20 / return gas 20°C, subcooling 3K

50 Hz

	Evaporating Temperature (°C)	Cooling Capacity (W)	Power Consumption (W)	Current Consumption (A)	Efficiency (W)
25°C Ambient Temperature	10°C	2 973	1 545	7.40	1.92
	5°C	2 708	1 403	6.75	1.93
	0°C	2 417	1 274	6.15	1.90
	-5°C	2 115	1 156	5.60	1.83
	Rated point -10°C	1 818	1 046	5.11	1.74
	-15°C	1 542	944	4.65	1.63
	-20°C	1 303	847	4.25	1.54
32°C Ambient Temperature	10°C	2 700	1 594	7.63	1.69
	5°C	2 465	1 446	6.96	1.70
	0°C	2 201	1 312	6.34	1.68
	-5°C	1 926	1 190	5.77	1.62
	Rated point -10°C	1 654	1 078	5.26	1.53
	-15°C	1 401	973	4.80	1.44
	-20°C	1 183	875	4.38	1.35
43°C Ambient Temperature	5°C	2 084	1 539	7.40	1.35
	0°C	1 867	1 394	6.73	1.34
	-5°C	1 636	1 263	6.12	1.30
	Rated point -10°C	1 404	1 142	5.57	1.23
	-15°C	1 190	1 031	5.08	1.15
	-20°C	1 007	927	4.64	1.09