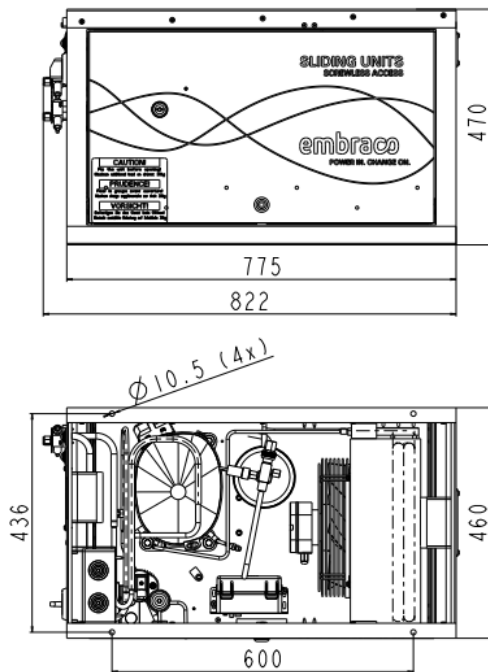


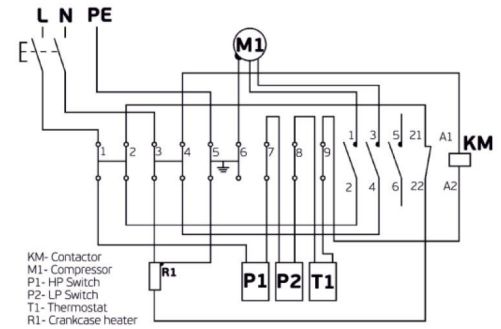
### GENERAL DATA

<b>Application:</b>	M/HBP
<b>Refrigerant:</b>	R404A
<b>Expansion Device:</b>	C-V
<b>Weight:</b>	58.5 kg
<b>Receiver:</b>	2.3 liter
<b>Voltage/Frequency:</b>	<b>220 - 240 V 50 ~</b>
<b>Height:</b>	58.5 mm
<b>Length:</b>	822 mm
<b>Width:</b>	460 mm
<b>Institute Approvals:</b>	<b>CE</b>

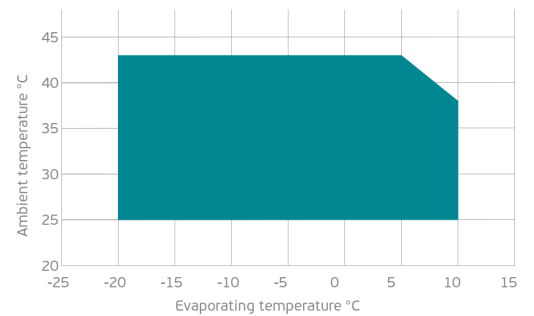
### EXTERNAL DIMENSIONS



### WIRING DIAGRAM



### OPERATING ENVELOPE



### COMPONENTS (SPARE PARTS)

<b>valve_suca:</b>	SOLDER 1/2"	2110118	<b>valve_disch:</b>	SOLDER 3/8"	2110119
<b>hpressostat:</b>	P100CP-106D	2466034	<b>lpressostat:</b>	PS1-A3K	2466036
<b>condenser:</b>	3R12T	2451226	<b>heater:</b>	CRANKCASE HEATER 230V/40W	2464205
<b>flexihose:</b>	FLEXI HOSE 10MM ODF	2464241	<b>compressor:</b>	NT6222GK	922CA04..AC
<b>elkit:</b>	ELECTRICAL BOX/PROTECTOR	1996565/2321123	<b>dryer:</b>	ADK 0510 MMS	2730010
<b>sightglass:</b>	MIAM 10	2464040	<b>fankit:</b>	AXIAL FAN 230V/50HZ/1PH	1996726

For additional accessories please contact our technical support

**ELECTRICAL DATA**

Motor Type:	CSR -
Locked Rotor Amperage (RLA):	30 A
Max.Current:	7.42 A

At maximum evaporating temperature and maximum ambient temperature.

**FAN MOTOR**

Number:	1 -
Shaft Power:	- W
Air Flow:	810 m <sup>3</sup> /hod
Blade Diameter:	250 mm

**PERFORMANCE CURVE DATA**

Standard: EN13215\_RG20 / return gas 20°C, subcooling 3K

50 Hz

	Evaporating Temperature (°C)	Cooling Capacity (W)	Power Consumption (W)	Current Consumption (A)	Efficiency (W)
<b>25°C</b> Ambient Temperature	10°C	2 457	1 151	5.68	2.14
	5°C	2 197	1 065	5.32	2.06
	0°C	1 941	978	4.95	1.99
	-5°C	1 691	890	4.58	1.90
	Rated point -10°C	1 446	802	4.22	1.80
	-15°C	1 208	715	3.88	1.69
	-20°C	977	629	3.55	1.55
<b>32°C</b> Ambient Temperature	10°C	2 237	1 191	5.89	1.88
	5°C	1 996	1 097	5.47	1.82
	0°C	1 761	1 003	5.07	1.76
	-5°C	1 533	911	4.68	1.68
	Rated point -10°C	1 311	822	4.32	1.60
	-15°C	1 098	736	3.99	1.49
	-20°C	892	653	3.69	1.37
<b>43°C</b> Ambient Temperature	5°C	1 645	1 144	5.70	1.44
	0°C	1 443	1 038	5.21	1.39
	-5°C	1 249	937	4.77	1.33
	Rated point -10°C	1 065	842	4.38	1.26
	-15°C	890	755	4.04	1.18
	-20°C	726	674	3.77	1.08