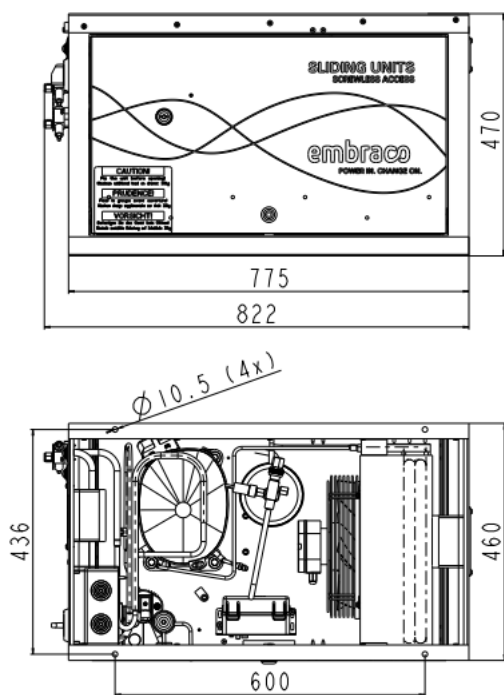


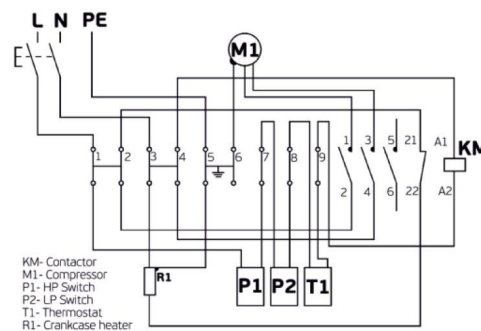
GENERAL DATA

Application:	M/HBP
Refrigerant:	R134a
Expansion Device:	C-V
Weight:	75.5 kg
Receiver:	2.3 liter
Voltage/Frequency:	220 - 240 V 50 ~
Height:	75.5 mm
Length:	822 mm
Width:	460 mm
Institute Approvals:	CE

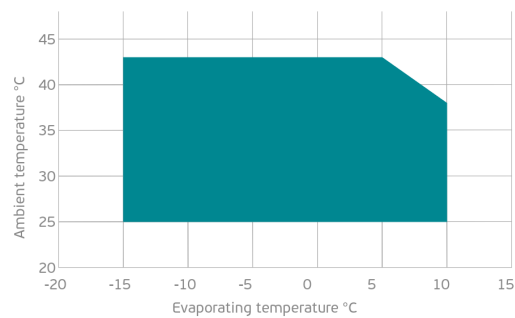
EXTERNAL DIMENSIONS



WIRING DIAGRAM



OPERATING ENVELOPE



COMPONENTS (SPARE PARTS)

dryer:	FILTER DRYER 10MM ODF	2730010
valve_suca:	SOLDER 1/2"	2110118
lpressostat:	PS1-A3K	2466036
heater:	CRANKCASE HEATER 230V/40W	2464205
hpressostat:	P100CP-102D	2466033
elkit:	ELECTRICAL BOX/PROTECTOR	1996555/2321002

sightglass:	SIGHT GLASS 10MM ODF	2464040
valve_disch:	SOLDER 3/8"	2110119
condenser:	3R12T	2451226
flexihose:	FLEXI HOSE 10MM ODF	2464241
compressor:	NT6217Z	212BA04..AC
fankit:	AXIAL FAN 230V/50HZ/1PH	1996726

For additional accessories please contact our technical support

ELECTRICAL DATA

Motor Type: CSR -
Locked Rotor Amperage (RLA): 25 A
Max.Current: 4.52 A

At maximum evaporating temperature and maximum ambient temperature.

FAN MOTOR

Number: 1 -
Shaft Power: - W
Air Flow: 840 m³/hod
Blade Diameter: 250 mm

PERFORMANCE CURVE DATA

Standard: EN13215_RG20 / return gas 20°C, subcooling 3K

50 Hz

	Evaporating Temperature (°C)	Cooling Capacity (W)	Power Consumption (W)	Current Consumption (A)	Efficiency (W)
25°C Ambient Temperature	10°C	2 246	808	4.82	2.78
	5°C	1 905	723	4.43	2.64
	0°C	1 599	647	4.10	2.47
	-5°C	1 325	580	3.80	2.28
	Rated point -10°C	1 082	520	3.54	2.08
	-15°C	865	467	3.32	1.85
32°C Ambient Temperature	10°C	2 045	834	4.97	2.45
	5°C	1 730	745	4.57	2.32
	0°C	1 449	666	4.22	2.18
	-5°C	1 201	597	3.91	2.01
	Rated point -10°C	982	536	3.65	1.83
	-15°C	790	482	3.42	1.64
43°C Ambient Temperature	5°C	1 487	794	4.87	1.87
	0°C	1 227	708	4.48	1.73
	-5°C	998	633	4.15	1.58
	Rated point -10°C	797	568	3.86	1.40
	-15°C	624	511	3.63	1.22