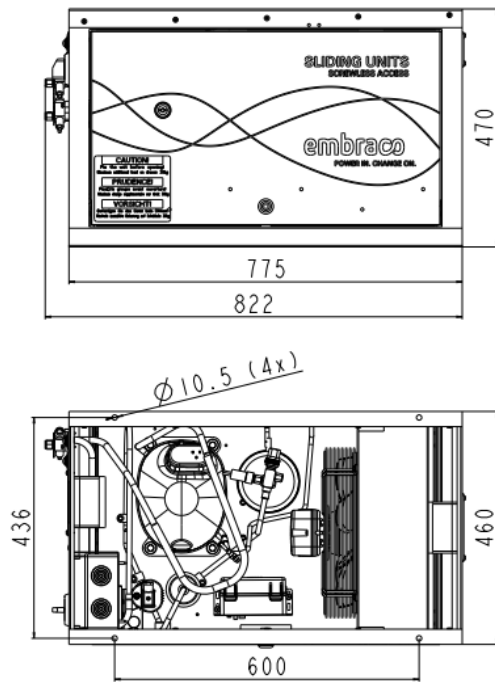


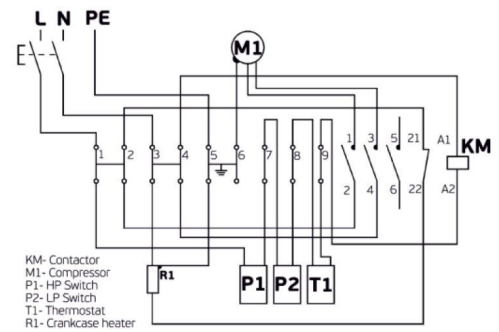
### GENERAL DATA

<b>Application:</b>	M/HBP
<b>Refrigerant:</b>	R134a
<b>Expansion Device:</b>	C-V
<b>Weight:</b>	82 kg
<b>Receiver:</b>	2.3 liter
<b>Voltage/Frequency:</b>	<b>220 - 240 V 50 ~</b>
<b>Height:</b>	82 mm
<b>Length:</b>	822 mm
<b>Width:</b>	460 mm
<b>Institute Approvals:</b>	<b>CE</b>

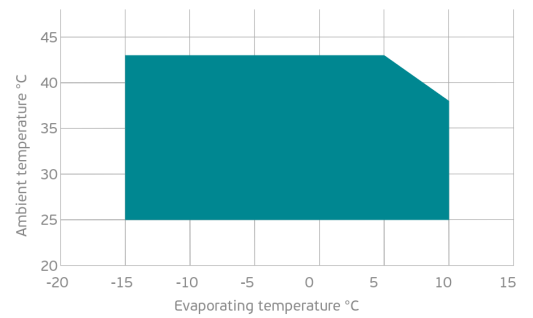
### EXTERNAL DIMENSIONS



### WIRING DIAGRAM



### OPERATING ENVELOPE



### COMPONENTS (SPARE PARTS)

<b>dryer:</b>	FILTER DRYER 10MM ODF	2730010
<b>condenser:</b>	3R14T	2451221
<b>valve_suca:</b>	SOLDER 1/2"	2110118
<b>lpressostat:</b>	PS1-A3K	2466036
<b>flexihose:</b>	FLEXI HOSE 12MM ODF	2464244
<b>compressor:</b>	NJ6226Z	142HA13..AC

<b>sightglass:</b>	SIGHT GLASS 10MM ODF	2464040
<b>fankit:</b>	S4E300-XX	1996589
<b>valve_disch:</b>	SOLDER 3/8"	2110119
<b>heater:</b>	CRANKCASE HEATER 230V/55W	2464141
<b>hpressostat:</b>	P100CP-102D	2466033
<b>elkit:</b>	ELECTRICAL BOX/PROTECTOR	1996557/2289022

For additional accessories please contact our technical support

**ELECTRICAL DATA**

Motor Type:	CSR -
Locked Rotor Amperage (RLA):	31 A
Max.Current:	5.6 A

At maximum evaporating temperature and maximum ambient temperature.

**FAN MOTOR**

Number:	1 -
Shaft Power:	95 W
Air Flow:	1450 m <sup>3</sup> /hod
Blade Diameter:	- mm

**PERFORMANCE CURVE DATA**

Standard: EN13215\_RG20 / return gas 20°C, subcooling 3K

50 Hz

	Evaporating Temperature (°C)	Cooling Capacity (W)	Power Consumption (W)	Current Consumption (A)	Efficiency (W)
<b>25°C</b> Ambient Temperature	10°C	3 175	1 409	6.55	2.25
	5°C	2 763	1 257	6.23	2.20
	0°C	2 376	1 119	5.94	2.12
	-5°C	2 013	995	5.69	2.02
	Rated point -10°C	1 673	882	5.47	1.90
	-15°C	1 355	782	5.30	1.73
<b>32°C</b> Ambient Temperature	10°C	2 941	1 458	7.31	2.02
	5°C	2 548	1 297	6.95	1.96
	0°C	2 181	1 150	6.62	1.90
	-5°C	1 840	1 019	6.32	1.81
	Rated point -10°C	1 524	902	6.05	1.69
	-15°C	1 230	799	5.83	1.54
<b>43°C</b> Ambient Temperature	5°C	2 201	1 354	7.02	1.63
	0°C	1 861	1 192	6.69	1.56
	-5°C	1 548	1 048	6.39	1.48
	Rated point -10°C	1 263	921	6.13	1.37
	-15°C	1 002	810	5.91	1.24