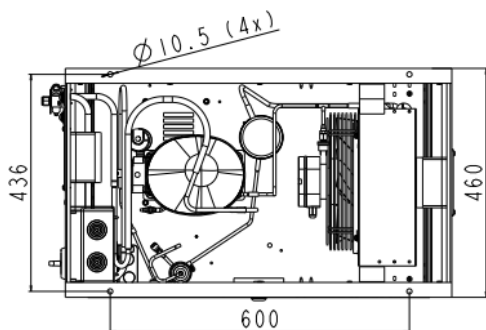
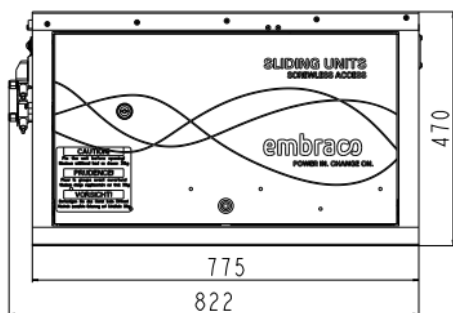


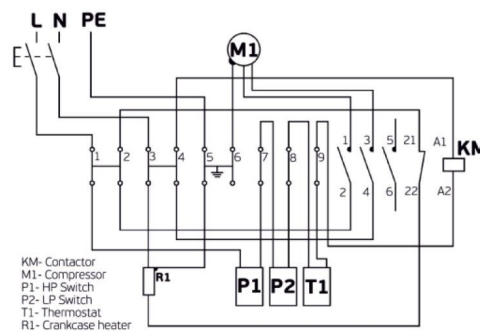
GENERAL DATA

Application:	M/HBP
Refrigerant:	R404A
Expansion Device:	C-V
Weight:	60 kg
Receiver:	1.1 liter
Voltage/Frequency:	220 - 240 V 50 ~
Height:	60 mm
Length:	822 mm
Width:	460 mm
Institute Approvals:	CE

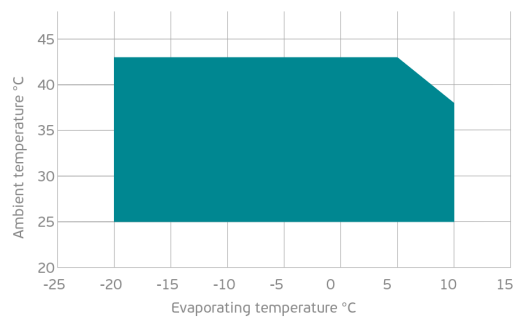
EXTERNAL DIMENSIONS



WIRING DIAGRAM



OPERATING ENVELOPE



COMPONENTS (SPARE PARTS)

hpressostat:	P100CP-106D	2466034
dryer:	FILTER DRYER 6MM ODF	2730006
condenser:	3R12T	2451226
valve_disch:	SOLDER 1/4"	2110120
flexihose:	FLEXI HOSE 10MM ODF	2464241
elkit:	ELKOM NEK6213GK	959BA51N1A

lpressostat:	PS1-A3K	2466036
sightglass:	SIGHT GLASS 6MM ODF	2464031
valve_suca:	SOLDER 3/8"	2110119
heater:	CRANKCASE HEATER 230V/40W	2464205
compressor:	NEK6213GK	959BA51..AN
fankit:	AXIAL FAN 230V/50HZ/1PH	1996726

For additional accessories please contact our technical support

ELECTRICAL DATA

Motor Type: CSIR -
Locked Rotor Amperage (RLA): 19.3 A
Max.Current: 5.91 A

At maximum evaporating temperature and maximum ambient temperature.

FAN MOTOR

Number: 1 -
Shaft Power: - W
Air Flow: 840 m³/hod
Blade Diameter: 250 mm

PERFORMANCE CURVE DATA

Standard: EN13215_RG20 / return gas 20°C, subcooling 3K

50 Hz

	Evaporating Temperature (°C)	Cooling Capacity (W)	Power Consumption (W)	Current Consumption (A)	Efficiency (W)
25°C Ambient Temperature	10°C	1 325	654	3.64	2.03
	5°C	1 192	599	3.39	1.99
	0°C	1 060	547	3.17	1.94
	-5°C	930	498	2.96	1.87
	Rated point -10°C	802	452	2.78	1.77
	-15°C	675	410	2.61	1.65
	-20°C	550	370	2.46	1.49
32°C Ambient Temperature	10°C	1 205	674	3.75	1.79
	5°C	1 084	617	3.50	1.76
	0°C	964	563	3.26	1.71
	-5°C	846	513	3.05	1.65
	Rated point -10°C	729	466	2.86	1.56
	-15°C	614	422	2.69	1.45
	-20°C	500	382	2.54	1.31
43°C Ambient Temperature	5°C	922	656	3.72	1.41
	0°C	820	598	3.47	1.37
	-5°C	719	544	3.24	1.32
	Rated point -10°C	620	494	3.03	1.25
	-15°C	522	448	2.85	1.17
	-20°C	425	405	2.69	1.05