

APPROVALS




 **ENGINEERING CODE**
943RV19


 **APPROVED REFRIGERANT**
R-404A

 **POWER SUPPLY**
230 V 50 Hz

 **STANDARD CONDITIONS**
EN12900

 **APPLICATION**
MBP

 **COOLING CAPACITY**
2428 W (MBP)

 **EFFICIENCY**
1.6 W/W (MBP)

 **MOTOR TYPE**
CSCR

 **STARTING TORQUE**
HST

DATA

General Data

Type	Hermetic reciprocating
Technology Type	On-Off
Displacement	32.67 cm ³
Compressor Cooling	Fan/NotControlled/230
Fan Air Flow	800 m ³ /h
Expansion Device	Capillary Tube or Expansion Valve
Horse Power	1 1/2 hp
Max Condensing Pressure Operating	24.71 bar
Max Condensing Pressure Peak	27.71 bar
Power Supply	230 V 50 Hz
Evaporating Temperature Range	-20 °C to 10 °C

Electrical Data

Motor type	CSCR
Starting Torque	HST
Start Winding Resistance	5.4 Ω at 25° C
Run Winding Resistance	1.75 Ω at 25° C

Mechanical Data

Maximum Recommended Refrigerant Charge	800 g
Oil Charge	750 ml
Oil Type Configuration	ESTER
Oil Type Viscosity	ISO22
Pressurization	Dry air charge
Weight	22.1 Kg
Free Internal Volume	3.9 L

Electrical Components

	Description
CSR / CSIR Box	YES
Run Capacitor	25
Start Capacitor	130-156 Uf / 330 V
Starting Device	RVA3H3C-108
Motor Protection	T0878/C9 OR MRA3764-

External Characteristics

Base Plate	Large	
Tray Holder	No	
Height	276 mm	
Connector	Internal Diameter	Shape
Suction	12.7 mm	ROTOLOCK(Ex. thr. 1"-14UNS-2A)/Steel
Discharge	8 mm	Slanted J/Copper
Process	6.42 mm	Vertical/Copper

PERFORMANCE

Rated Points

Condensing Temperature	Evaporating Temperature	Cooling Capacity	Power Consumption	Current	Gas Flow Rate	Efficiency
45.00°C	-10.00°C	2428 W	1521 W	7.43 A	72.91 kg/h	1.6 W/W

Test Condition: EN12900MBP, Fan/NotControlled/230, Return Gas 20°C, Evaporation -10.00°C, Condensing 45.00°C, Ambient 35°C, Liquid 45°C, Subcooling OK. Data in accordance to EN

12900:2013 and AHRI 540:2015 polynomial equation and uncertainty guidance.

Performance Curve Data

Condensing Temperature 35°C

Evaporating Temperature °C	Cooling Capacity W	Power W	Current A	Gas Flow Rate kg/h	Efficiency W/W
-20	1896	1178	6.08	49.15	1.61
-15	2410	1312	6.57	62.97	1.84
-10	2997	1447	7.09	79.01	2.07
-5	3650	1583	7.65	97.25	2.31
0	4364	1718	8.22	117.71	2.54
5	5131	1853	8.83	140.36	2.77
10	5947	1984	9.46	165.22	3

Test Condition: EN12900MBP, Fan/NotControlled/230, Return Gas 20°C, Ambient 35°C, Subcooling OK. Data in accordance to EN 12900:2013 and AHRI 540:2015 polynomial equation and uncertainty guidance.

Condensing Temperature 45°C

Evaporating Temperature °C	Cooling Capacity W	Power W	Current A	Gas Flow Rate kg/h	Efficiency W/W
-20	1515	1214	6.2	44.67	1.25
-15	1938	1364	6.8	57.61	1.42
-10	2428	1521	7.43	72.91	1.6
-5	2979	1684	8.1	90.55	1.77
0	3584	1851	8.81	110.53	1.94
5	4237	2022	9.56	132.85	2.1
10	4932	2195	10.35	157.50	2.25

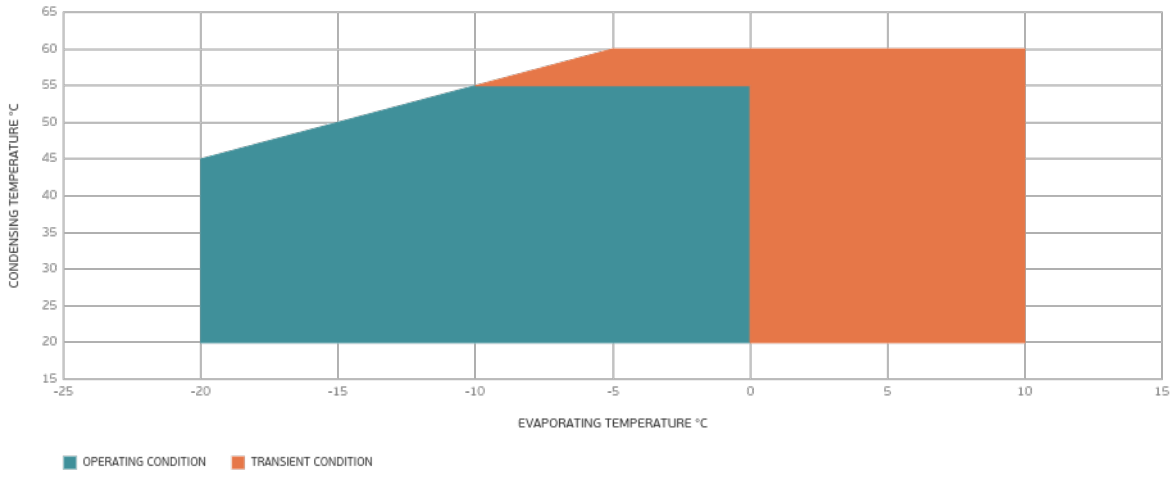
Test Condition: EN12900MBP, Fan/NotControlled/230, Return Gas 20°C, Ambient 35°C, Subcooling OK. Data in accordance to EN 12900:2013 and AHRI 540:2015 polynomial equation and uncertainty guidance.

Condensing Temperature 55°C

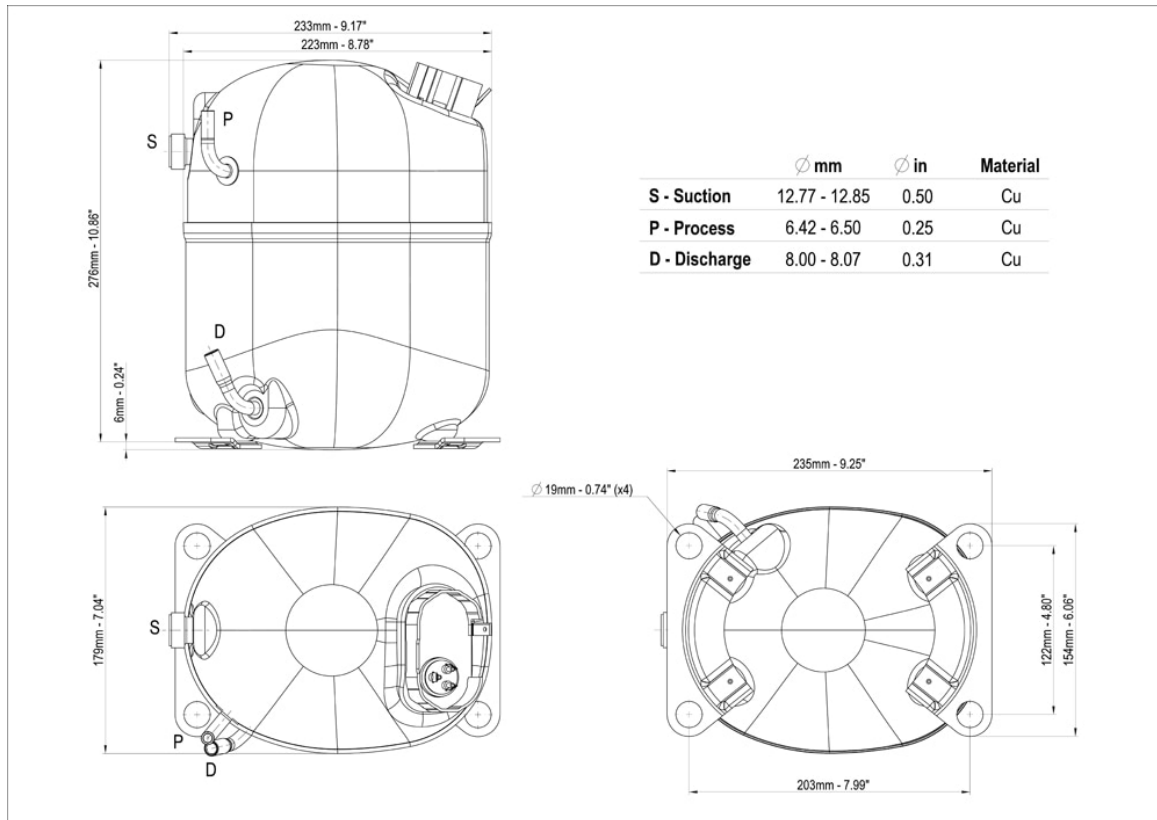
Evaporating Temperature °C	Cooling Capacity W	Power W	Current A	Gas Flow Rate kg/h	Efficiency W/W
-10	1886	1590	7.7	66.84	1.19
-5	2324	1772	8.44	83.55	1.31
0	2810	1964	9.23	102.74	1.43
5	3338	2164	10.07	124.40	1.54
10	3902	2371	10.96	148.53	1.65

Test Condition: EN12900MBP, Fan/NotControlled/230, Return Gas 20°C, Ambient 35°C, Subcooling OK. Data in accordance to EN 12900:2013 and AHRI 540:2015 polynomial equation and uncertainty guidance.

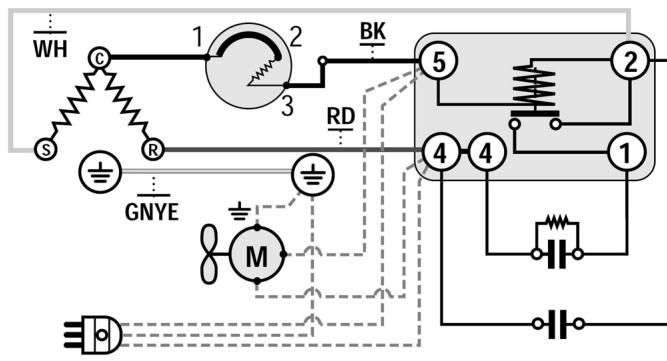
Operating Envelope



External Dimensions



Wiring Diagram



Assembly Instructions

