

### THE USER INTERFACE

The user has a display and four keys for controlling status and programming of the instrument.

#### KEYS AND MENUS

UP key		Scrolls through the menu items Increases the values Activates manual def. function
DOWN key		Scrolls through the menu items Decreases the values
FNC key		ESC function (exit)
SET key		Accesses the setpoint Accesses the menus Confirms the commands

The instrument has two main menus: the “Machine Status” and “Programming” menu.

#### ACCESSING AND USING MENUS

The instrument is programmed by menus. To access a menu, press and quickly release the “SET” key (“Machine status” menu) or press the “SET” key for over 5 seconds (“Programming” menu).

To access the contents of each folder, indicated by the relevant label, just press the “SET” key once.

You can now scroll through the contents of each folder, modify it or use its functions. If you do not use the keyboard for over 15 seconds (time-out) or if you presence the “FNC” key once, the last value shown on the display is confirmed and you return to the previous screen mask.

#### MACHINE STATUS MENU

To access the “Machine Status” menu, press and quickly release the “SET” key. The “Set” folder label appears. To view the Setpoint value, press the “SET” key again. The Setpoint value appears on the display. To change the Setpoint value, use the “UP” and “DOWN” keys within 15 seconds. If the parameter is LOC = y the Setpoint cannot be changed.

#### LED

Position	Associated function	Status
	Compressor or Relay 1	ON for compressor ON, flashing for delay, disabled protection or activation
	Defrosting	ON for current defrosting; flashing for manual activation
	Alarm	ON for an active alarm

### PROGRAMMING MENU

To enter the “Programming” menu, press the “SET” key for more than 5 seconds.

If specified, the access PASSWORD will be requested, (parameter “PA1”), and the label of the first folder will follow.

To scroll through the other folders, use the “UP” and “DOWN” keys.

To enter the folder, press “SET”. The label of the first visible parameter appears.

To scroll through the other parameters, use the “UP” and “DOWN” keys. To change the parameter, press and release “SET” then set the desired value with the “UP” and “DOWN” keys, and confirm with the “SET” key, to move to the next parameter.

#### MANUAL ACTIVATION OF THE DEFROSTING CYCLE

To manually activate the defrosting cycle, press the “UP” key for 5 seconds.

#### COPY CARD

The Copy Card is an accessory that connected to the serial door TTL permits both fast programming of instrument’s parameters (download), and the possibility to save the instrument’s parameters (upload) in order to use them to re-program other equivalent instruments. To do this operation enter the folder identified from label “FPr” and use parameters “UL” or “dL” depending on the case; to start uploading (downloading) simply press “SET” button.

#### KEYBOARD LOCKING

The instrument includes a facility for disabling the keyboard, by programming the “Loc” parameter (see folder with “Dis” label). If the keyboard is locked, you can still access the programming menu by pressing the “SET” key.

The Setpoint can also be viewed.

### DIAGNOSTICS

The alarm condition is always signalled by the buzzer (if present) and by the led of the alarm icon (🔊)

The alarm signal produced by a faulty room probe (probe 1) is shown as E1 on the instrument display 1.

### INSTALLATION

The instrument is designed for flush panel mounting. Insert the unit through a 71x29 mm panel cut-out and affix with the U-bracket supplied.

Select a location which will not be subject to high humidity or condensation and allow some ventilation to provide cooling to the instrument.

### ELECTRICAL CONNECTIONS

Attention! Never work on electrical connections when the machine is switched on. The instrument is equipped with screw terminal boards for connection of electrical cables with a diameter of 2.5 mm<sup>2</sup> (one conductor only per terminal for power connections). For the capacity of the terminals, see the label on the instrument. Relay outputs are voltage free. Do not exceed the maximum permissible current – in case of higher loads, use a contactor of adequate power. Make sure that the supplied voltage matches the values specified for the instrument.

In the versions supplied on 12V, the power supply must be provided via a safety transformer protected by a 250 mA delayed fuse. The probes do not have any insertion polarity and can be lengthened by using a normal bipolar cable (note that if the probes are lengthened, this will affect the behaviour of the instrument in terms of EMC electro-magnetic compatibility – wiring must be done with great care). We advise you to keep the probe and supply cables well away from the power cables.

### CONDITIONS OF USE

#### PERMITTED USE

For safety reasons the instrument must be installed and used according to the instruction provided and in particular, under normal conditions, parts bearing dangerous voltage levels must not be accessible.

The device must be adequately protected from water and dust as per the application and must also only be accessible via the use of tools (with the exception of the frontlet).

The device is ideally suited for use on household appliances and/or similar refrigeration equipment and has been tested with regard to the aspects concerning

European reference standards on safety. It is classified as follows:

- o according to its manufacture: as an automatic electronic control device to be incorporated by independent mounting;
- o according to its automatic operating features: as a 1 B-type operated control type;
- o as a Class A device in relation to the category and structure of the software.

### USE NOT PERMITTED

Any other use other than that permitted is de facto prohibited. It should be noted that the relay contacts provided are of a practical type and therefore subject to fault. Any protection devices required by product standards or dictated by common sense due to obvious safety reasons should be applied externally.

## LIABILITY AND RESIDUAL RISKS

Invensys Controls Italy S.r.L. shall not be liable for any damages deriving from:

- installation/use other than that prescribed and, in particular, that which does not comply with safety standards anticipated by regulations and/or those given herein;
- use on boards which do not guarantee adequate protection against electric shock, water or dust under the conditions of assembly applied;
- use on boards which allow access to dangerous parts without the use of tools;
- tampering with and/or alteration of the products;
- installation/use on boards not complying with the standards and provisions of current legislation.

## DISCLAIMER

This publication is the exclusive property of Invensys Controls Italy S.r.L. who absolutely prohibits its reproduction and distribution unless expressly authorised by Invensys Controls Italy S.r.L. Although great care has been taken with regard to the preparation of this document, Invensys Controls Italy S.r.L. does not assume any responsibility whatsoever in relation to its use.



**Invensys Controls Italy s.r.l**  
 via dell'Industria, 15 Zona Industriale Paludi  
 32010 Pieve d'Alpago (BL) ITALY  
 Telephone +39 0437 986111  
 Facsimile +39 0437 989066  
 Internet <http://www.climate-eu.invensys.com>

11/2001 ing  
 cod. 9IS22033

Tab. 1 Parameter description table

PARAMETER	DESCRIPTION
<b>COMPRESSOR REGULATOR (folder with "CP")</b>	
diF	Relay compressor tripping differential. The compressor stops on reaching the Setpoint value (as indicated by the adjustment probe), and restarts at temperature value equal to the Setpoint plus the value of the differential. Note: the value 0 cannot be assumed.
HSE	Maximum possible setpoint value.
LSE	Minimum possible setpoint value.
<b>COMPRESSOR PROTECTIVE DEVICES (folder with "CP" label)</b>	
Ont	Compressor activation time in the event of faulty probe. If set to "1" with Oft at "0", the compressor is always on, while for Oft >0, it functions always in duty cycle mode.
Oft	Compressor in disabled state time in the event of a faulty probe. If set to "1" with Ont at "0", the compressor is always off, while at Ont >0, it functions always in duty cycle mode.
dOn	Delay time in activating the compressor relay after switch-on of instrument.
dOF	Delay after switch off. The indicated time must elapse between switch-off of the compressor relay and the successive switch-on.
dbi	Delay between switch-ons. The indicated time must elapse between two successive switch-ons of the compressor.
OdO	delay time in activating the outputs after switch-on of the instrument or after a power failure.
<b>DEFROSTING REGULATOR (folder with "dEF" label)</b>	
dit	Interval between the start of two successive defrosting operations.
dCt	Selection of count mode for the defrosting interval. 0 = compressor operating hours (DIGIFROST® method); 1 = Real Time – appliance operating time; 2 =compressor stop.
dOH	Start-of-defrosting delay time from start up of instrument.
dEt	Defrosting Time out; determines duration of defrosting.
dPO	Request to activate defrosting regulator at switch on. y = yes; n = no.
<b>DISPLAY (folder with label "diS")</b>	
LOC	Keyboard locking. However, you can enter parameter programming, modify them and change the status of this parameter to unlock the keyboard. y = yes; n = no.
PA1	Password 1. When enabled (value other than 0) it constitutes the access key for level 1 parameters.
CA1	Calibration 1. Positive or negative temperature value added to the value read on the adjustment room probe (probe 1) before being displayed and used for adjustment.
ddl	Viewing mode during defrosting. 0 = shows the temperature read by the compartment probe; 1 = locks the reading on the temperature value read by the compartment cell when defrosting starts, and until the next time when Setpoint value is reached; 2 = displays the label "dEF" during defrosting and until the next time when Setpoint value is reached.
dro	Selection of °C or °F to view the temperature read by the probe. 0 = °C, 1 = °F.
<b>CONFIGURATION (folder with label "CnF")</b>	
H00	Probe type selection, PTC or NTC. 0 = PTC; 1 = NTC.
rEL	Device version. Read only parameter.
tAb	Reserved. Read only parameter.
<b>COPY CARD (folder with label "Fpr")</b>	
UL	UpLoad: transferring parameters from instrument to Copy Card.
dL	downLoad: transferring parameters from Copy Card to instrument.

The same applies to every individual and company involved in creating and drawing up this manual. Invensys Controls Italy S.r.L. reserves the right to make any amendment, esthetical or functional, without giving prior notice and at any time.

## TECHNICAL DATA

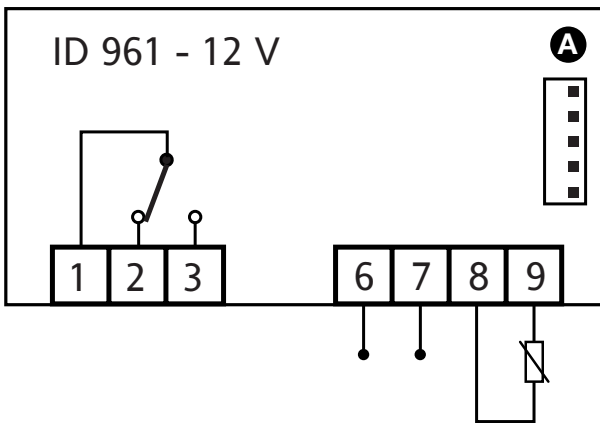
Frontal panel protection: IP65.  
 Container: plastic body in resin type PC+ABS UL94 V-0, inspection window in polycarbonate, buttons in thermoplastic resin.  
 Dimensions: frontal panel 74x32 mm, depth 60 mm.  
 Installation: on panel, with template 71x29 mm (+0.2/-0.1 mm).  
 Ambient temperature: -5...55 °C.  
 Storage temperature -30...85 °C.  
 Operating environment humidity: 10...90% RH (non condensing).  
 Storage environment humidity: 10...90% RH (non condensing).  
 Viewing range: -50...99 °C on 2 digit + mark display.

Analog inputs: one PTC or NTC input (selectable through parameter).  
 Digital outputs: one relay output, SPDT 8(3)A 250V~ relay or SPDT 15A(1hp) 250V~ relay (for capacity relay see label on the instrument).  
 Measuring range: from -50 to 99 °C.  
 Precision: 0.5% better than full scale.  
 Resolution: 1 °C.  
 Consumption: according to model.  
 Power supply: according to model.  
 See label on instrument.

Tab. 2 Parameter values table

PARAMETER	DESCRIPTION	RANGE	DEFAULT	VALUE	U.M.
diF	diFferential	0.1...30.0	2.0		°C/°F
HSE	Higher SEt	LSE...302	99.0		°C/°F
LSE	Lower SEt	-55.0...HSE	-50.0		°C/°F
Ont	On time (compressor)	0..250	0		min
OFt	OFF time (compressor)	0..250	1		min
dOn	Power-On delay	0..250	0		sec
dOF	delay after power-OFF	0..250	0		min
dbi	delay between power-on	0..250	0		min
OdO	delay Output from power on	0..250	0		min
dit	defrost interval time	0..250	6		hours
dCt	defrost Counting type	0/1/2	1		flag
dOH	defrost Offset Hour	0...59	0		min
dEt	defrost Endurance time	1...250	30		min
dPO	defrost (at) Power On	n/y	n		flag
LOC	(keyboard) LOCK	n/y	n		flag
PA1	PAssword 1	0..250	0		number
CA1	CAlibration 1	-12.0...12.0	0		°C/°F
ddL	defrost display Lock	0/1/2	1		flag
dro	Selection °C or °F	0/1	0		flag
H00*	Selection sensor PTC/NTC	0/1	0		flag
reL	release firmware	0..999	/		number
tAb	tAble of parameters	0..999	/		number
UL	UpLoad	/	/		/
dL	downLoad	/	/		/

\* For 230 V~ model default value is set to 1 (NTC probe , see label on instrument).



**WIRING**

- 1 - 2 N.C. compressor relay output
- 1 - 3 N.O. compressor relay output
- 6 - 7 Power supply
- 8 - 9 Sensor input
- A TTL input for Copy Card

