

12038

100VAC to 240VAC  
Energy Saving EC Fan

General Specifications

- ◆ Frame Size..... 120x120x38mm new high performance 5 blades
- ◆ Material..... Frame: Plastic (UL94V-0), Impeller:Plastic(UL94V-0)  
Lead Wire: UL1007AWG#24 300mm or Terminal
- ◆ Motor Protection..... AF series fans have auto restart function
- ◆ Input Voltage..... A rated voltage range of 100V~240V(50/60Hz) AC&DC ,Rotation speed remains constant even at different input voltages
- ◆ Dielectric Strength..... 50/60Hz 1500 VAC 1min (Between input terminal and frame)
- ◆ Temperature Range.... Operating Temperature -20°C~70°C (Non-condensing)  
Storage Temperature -40°C~70°C (Non-condensing)
- ◆ Expected life..... Ball Bearing 70,000hrs at 40°C (approximately 8 years)
- ◆ Fan Specials..... **RD FG PWM IP54 AS**



ATEX CE cULus

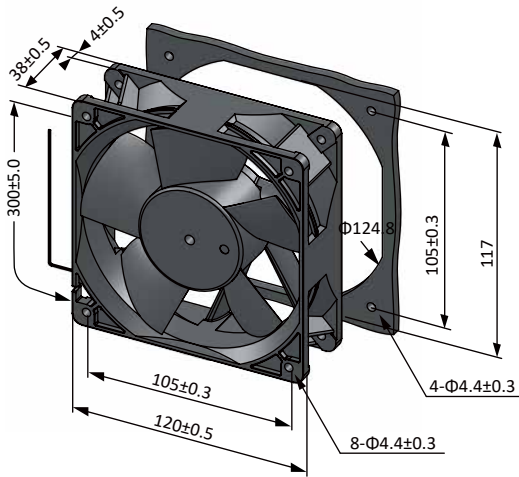
Specifications

Model	Rev	#Bearing Type	Rated Voltage	Input Current	Input Power	Speed	Max Air Flow		Max Static Pressure		Noise	Weight
Part No.	A	B.S	VDC	Amp	Watt	RPM	CFM	m <sup>3</sup> /min	Inch-H <sub>2</sub> O	Pa	dB-A	g
AF12038B00UL-S5	A01	B	100~240	0.18	15.0	3500	137.64	3.06	0.47	110.86	47.0	260
AF12038B00HL-S5	A01	B	100~240	0.12	9.50	3300	126.73	2.58	0.40	73.74	43.0	260
AF12038B00ML-S5	A01	B	100~240	0.10	6.20	2700	106.03	2.18	0.29	54.33	40.0	260
AF12038B00LL-S5	A01	B	100~240	0.08	4.20	2400	91.03	2.58	0.30	73.74	36.0	260
AF12038B00DL-S5	A01	B	100~240	0.05	3.50	2000	77.00	2.18	0.22	54.33	32.0	260

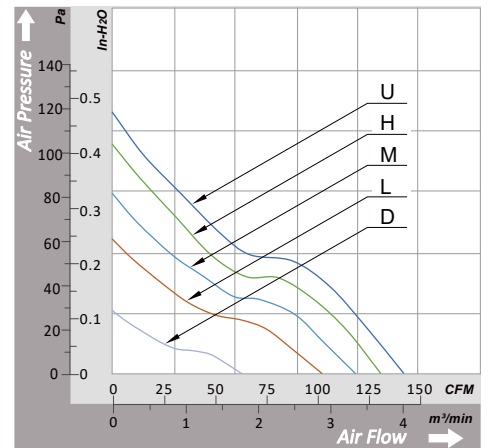
Specifications are subject to change without notice. Please visit our website at <http://www.szhxht.com> for update information.

Note: "00" is 110~220 VAC, (L) is Leadwire, (T) is Terminal, (S) is 5 blades.

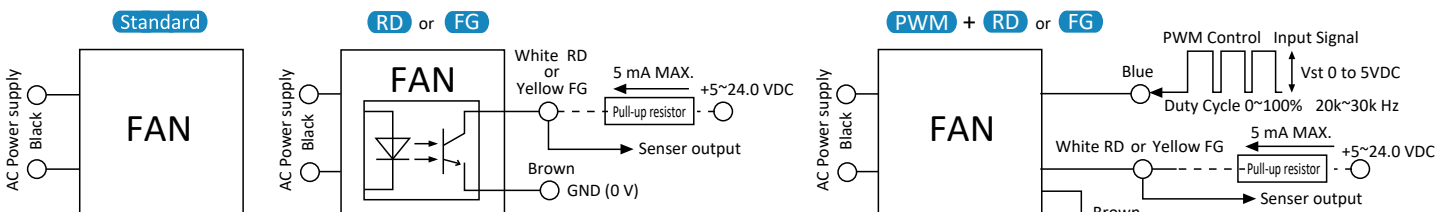
Dimensions (Unit:mm)



PQ Curve (At Rated Voltage)



Wiring Diagram



Note: Standard AF fan have two lead wire or Terminal.  
RD or FG, have 4 lead wires. RD is White color, FG is Yellow color, Brown is Ground  
PWM with RD or FG signal have 5 lead wires, PWM is Blue color, Brown is Ground