

12038 100VAC to 240VAC
Energy Saving EC Fan

General Specifications

- ◆ Frame Size..... 120x120x38mm 5 blades
- ◆ Material..... Frame: Plastic (UL94V-0), Impeller:Plastic(UL94V-0)
Lead Wire: UL1007AWG#24 300mm or Terminal
- ◆ Motor Protection..... AF series fans have auto restart function
- ◆ Input Voltage..... A rated voltage range of 100V~240V(50/60Hz) AC&DC ,Rotation speed remains constant even at different input voltages
- ◆ Dielectric Strength..... 50/60Hz 1500 VAC 1min (Between input terminal and frame)
- ◆ Temperature Range.... Operating temperature -20°C~70°C (Non-condensing)
Storage temperature -40°C~70°C (Non-condensing)
- ◆ Expected life..... Ball Bearing 50,000hrs at 40°C (approximately 6 years)
- ◆ Fan Specials..... **RD FG PWM IP54 AS**



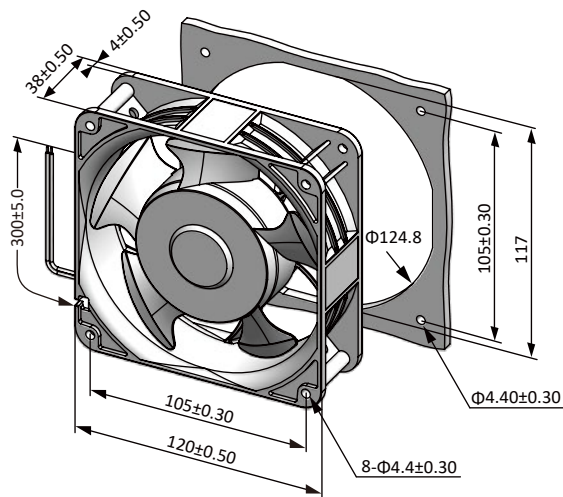
Specifications

Model	Rev	#Bearing Type	Rated Voltage	Input Current	Input Power	Speed	Max Air Flow		Max Static Pressure		Noise	Weight
Part No.	A	B.S	VDC	Amp	Watt	RPM	CFM	m ³ /min	Inch-H ₂ O	Pa	dB-A	g
AF12038B**UL(T)(5)	SSH	B	100~240	0.28	15.0	4500	150.80	4.25	0.67	166.8	53.0	260

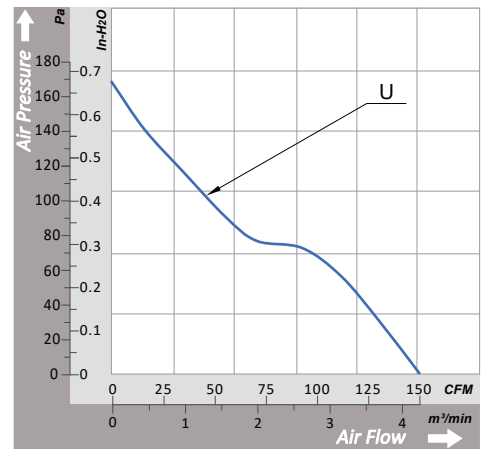
Specifications are subject to change without notice. Please visit our website at <http://www.szhxht.com> for update information.

Note: "11" is 110 VAC, "22" is 220 VAC, (L) is Leadwire, (T) is Terminal, (5) is 5 blades.

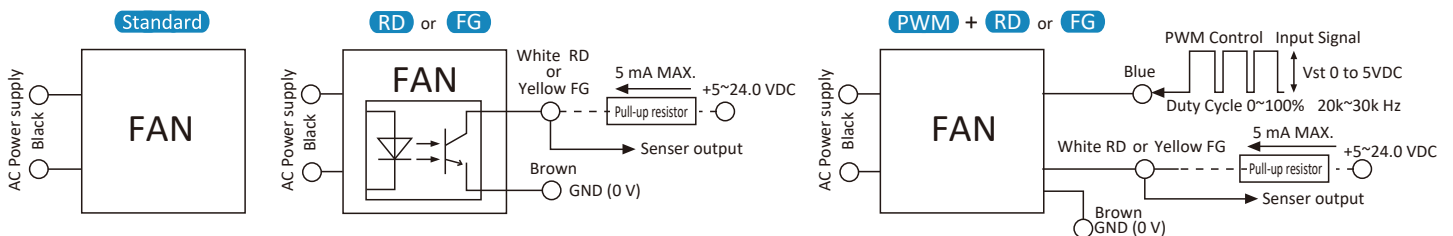
Dimensions (Unit:mm)



PQ Curve (At rated Voltage)



Wiring Diagram



Note: Standard AF fan have two lead wire or Terminal.
RD or FG, have 4 lead wires. RD is White color, FG is Yellow color, Brown is Ground
PWM with RD or FG signal have 5 lead wires, PWM is Blue color, Brown is Ground