



# CEILING FLOOR <sup>NEW</sup>

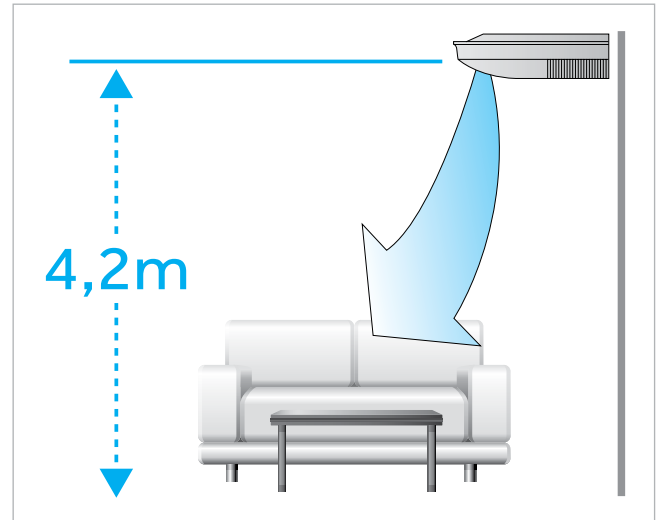
## FLOW +

The air is distributed equally in every corner of the room to ensure maximum comfort.

The unit can be installed on the ceiling at a height of 4,2 m.

## EASY PCB MAINTENANCE

Easy to wire and maintain PCB: simply open the grille.



## SILENCE

The use of DC Inverter fans and optimised design reduces the noise level of the indoor units.

Minimum level of sound pressure of only 33dB(A).

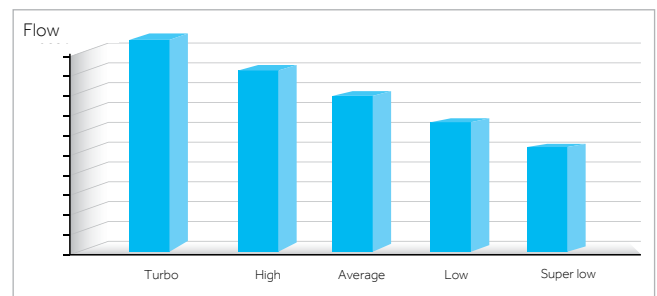
The upper of volute extends direction and reduced the noise.



## 5 SPEED FAN

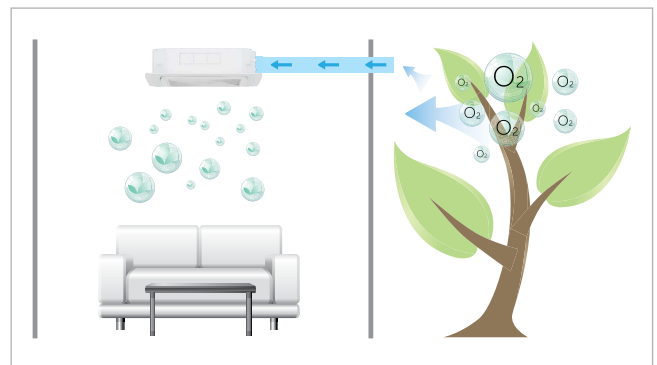
The fan speed can be set to 5 different programs: Turbo - High - Medium - Low - Super Low.

(Only with YR-HB or wired controllers)



## FRESH AIR

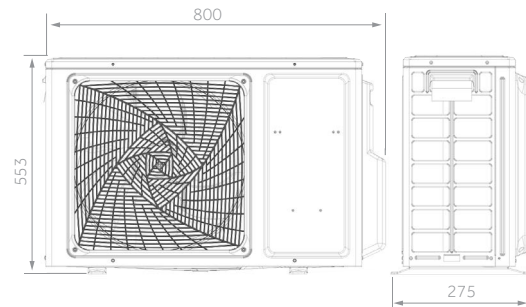
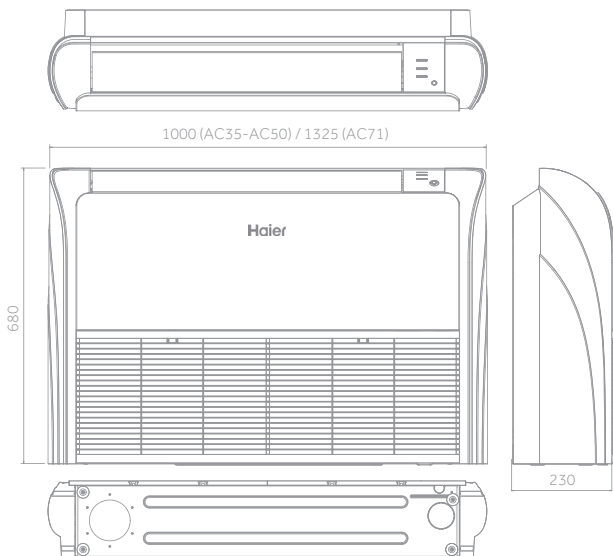
Air exchange allows introduction of clean air into the room.



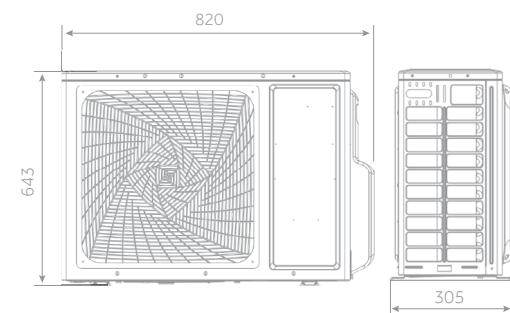


AC35 - AC50 - AC71

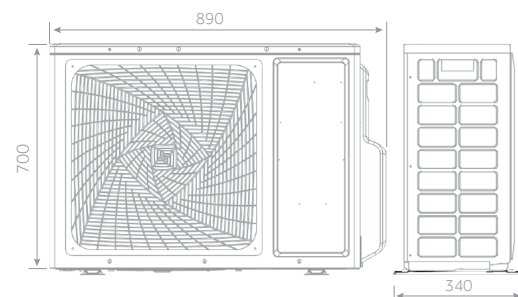
1U35



1U50



1U71



3,5 kW

5,0 kW

7,1 kW

# CEILING FLOOR NEW

# Haier

3,5 kW

5,0 kW

7,1 kW

OPTIONAL CONTROL



Silence



Flow +



5 Speed Fan



Fresh Air



On-Off Card



Wi-Fi control integrated



UVC Sterilisation

- Low noise level
- Flow +: Internal deflectors are divided into two groups with independent motors (independent right-left airflow)
- 5 fan speed: turbo, high, medium, low, super low (only with YR-HQS01 or wired controller)

- 'Fresh air' knockout is incorporated in the chassis to allow fresh air introduction of up to 20% of nominal unit air flow without compromising the cooling capacity. More than 20% of the air conditioner's thermal cooling capacity is penalise.
- Wi-Fi control integrated
- UVC Sterilisation

≥AC71) CEILING		≥AC71) FLOOR	
m (kg)	Sup. (m²)	m (kg)	Sup. (m²)
1.225	0.95	1.225	12.9
1.4	1.25	1.4	16.8
1.6	1.63	1.6	22.0
1.8	2.07	1.8	27.8
2.0	2.55	2.0	34.3
2.2	3.09	2.2	41.5
2.4	3.68	2.4	49.4
2.6	4.31	2.6	58.0
2.8	5.00	2.8	67.3
3.0	5.74	3.0	77.2



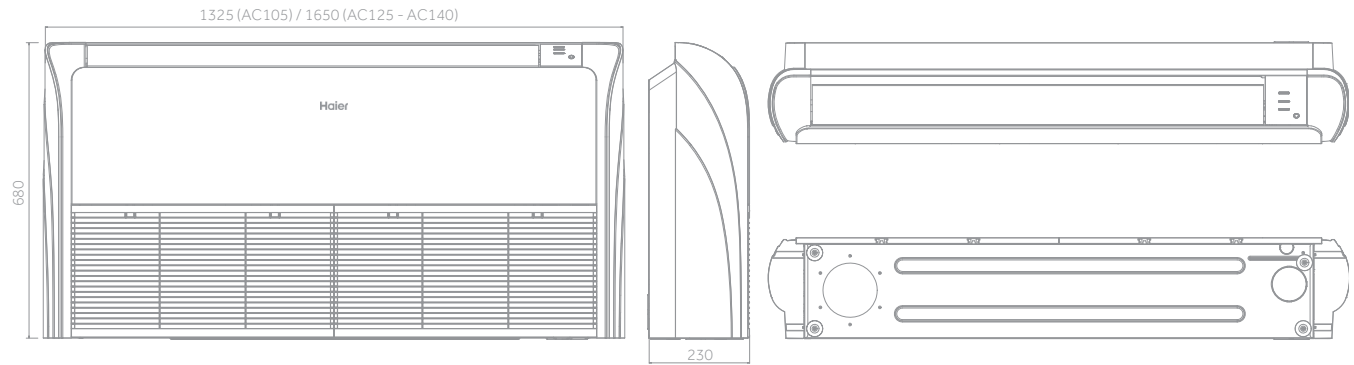
INDOOR UNIT		Model	AC35S2SG1FA(H)	AC50S2SG1FA(H)	AC71S2SG1FA(H)
OUTDOOR UNIT		Model	1U35S2SM1FA-2	1U50S2SJ2FA-2	1U71S2SR2FA
<b>Performance data</b>					
Output power - COOLING	nom (min-max)	kW	3,50 (1,00-4,30)	5,00 (1,40-5,70)	7,10 (2,00-7,30)
Output power - HEATING	nom (min-max)	kW	4,00 (1,00-5,30)	5,80 (1,40-6,00)	7,50 (2,50-8,00)
Absorbed power - COOLING	nom (min-max)	kW	0,91 (0,30-1,50)	1,45 (0,50-2,00)	2,20 (0,50-3,00)
Absorbed power - HEATING	nom (min-max)	kW	1,07 (0,50-1,60)	1,56 (0,52-2,35)	2,02 (0,50-3,00)
Energy class	EER	W/W	3,81	3,48	3,23
	COP	W/W	3,73	3,73	3,71
COOLING Pdesign	35 °C	kW	3,50	5,00	7,10
HEATING Pdesign	(-10 °C)	kW	3,00	4,40	5,00
Energy class	SEER		8,50 (A+++)	7,31 (A++)	6,10 (A++)
	SCOP		4,47 (A+)	4,10 (A+)	3,80 (A)
Annual Energy Consumption - COOLING		kWh/a	146	240	407
Annual Energy Consumption - HEATING		kWh/a	945	1491	1832
<b>Indoor Unit</b>					
Power supply		Ph/V/Hz	1/220-240/50/60	1/220-240/50/60	1/220-240/50/60
Treated air volume	(H/M/L/Q)	m³/h	750/620/500/400	880/750/650/500	1250/1128/930/840
High sound power		dB	53	57	61
Sound pressure		dB(A)	39/36/33/30	44/41/38/35	43/40/38/35
Net dimensions	WxDxH	mm	1000x230x680	1000x230x680	1325x230x680
Packaging dimensions	WxDxH	mm	1100x305x779	1100x305x779	1425x305x779
Net/gross weight		kg	26,0/32,0	26,0/32,0	33,5/41,9
<b>Outdoor Unit</b>					
Power supply		Ph/V/Hz	1/220-240/50	1/220-240/50	1/220-240/50/60
Power cable		N x mm²	3 x 1,5	3 x 1,5	3 x 4,0
Interconnection cable		N x mm²	4 x 1,0	4 x 1,0	4 x 2,5
Sound power	H	dB	61	63	67
Sound pressure	H	dB(A)	48	50	54
Running current cooling/heating	Max	A	8,0	10,68	13,1
Starting current cooling/heating	Max	A	2,0	2,0	2,0
Net dimensions	WxDxH	mm	800x275x553	820x305x643	890x340x700
Packaging dimensions	WxDxH	mm	902x375x607	940x390x697	1046x460x780
Net/gross weight		kg	30,0/32,9	35,7/38,5	45,0/50,0
Compressor type			Rotary inverter	Twin rotary inverter	Twin rotary inverter
<b>Installation data</b>					
Refrigerant			R32	R32	R32
Liquid pipe	Ø	mm (inch)	6,35 (1/4)	6,35 (1/4)	9,52 (3/8)
Gas pipe	Ø	mm (inch)	9,52 (3/8)	12,70 (1/2)	15,88 (5/8)
Standard pipe length without refrigerant charge		m	7	7	10
Maximum pipe length		m	20	25	50
Maximum IU - OU elevation		m	10	15	30
Refrigerant charge in the factory		kg	0,78	1,10	1,30
Refrigerant charge in the factory		TCO2eq	0,53	0,74	0,88
Additional ref. charge over std length		g/m	20	20	45
Outdoor operating limits - COOLING	min-max	°C		-20-43	
Outdoor operating limits - HEATING	min-max	°C		-20-24	

The data in this catalogue is purely indicative as the data may vary. Please be advised to check the accuracy of the data with the supplier before purchasing products.

NEW **CEILING FLOOR**

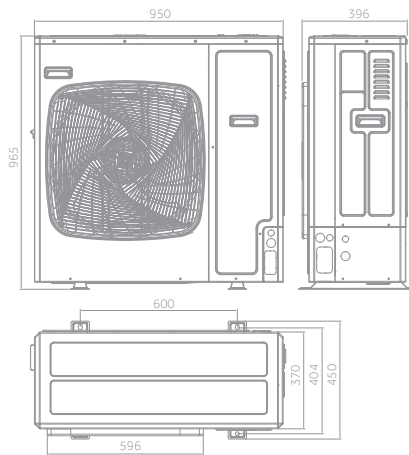
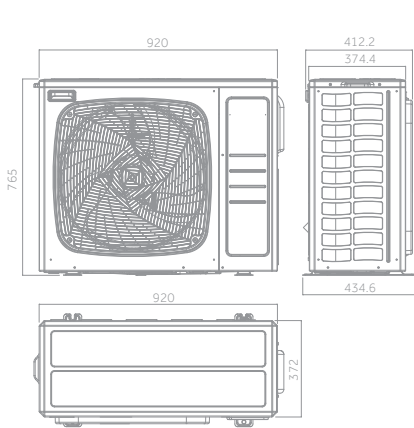


AC105 - AC125



1U105

1U125



10,5 kW



12,5 kW

# CEILING FLOOR NEW

Haier

MONOSPLIT



10,5 kW

12,5 kW

OPTIONAL CONTROL



(>=AC71) CEILING		(>=AC71) FLOOR	
m (kg)	Sup. (m²)	m (kg)	Sup. (m²)
1,23	0,95	1,23	12,90
1,40	1,25	1,40	16,80
1,60	1,63	1,60	22,00
1,80	2,07	1,80	27,80
2,00	2,55	2,00	34,30
2,20	3,09	2,20	41,50
2,40	3,68	2,40	49,40
2,60	4,31	2,60	58,00
2,80	5,00	2,80	67,30
3,00	5,74	3,00	77,20

- Low noise level
- Flow +: Internal deflectors are divided into two groups with independent motors (independent right-left airflow)
- 5 fan speed: turbo, high, medium, low, super low (only with YR-HQS01 or wired controller)

- 'Fresh air' knockout is incorporated in the chassis to allow fresh air introduction of up to 20% of nominal unit air flow without compromising the cooling capacity. More than 20% of the air conditioner's thermal cooling capacity is penalise.
- Wi-Fi control integrated
- UVC Sterilisation

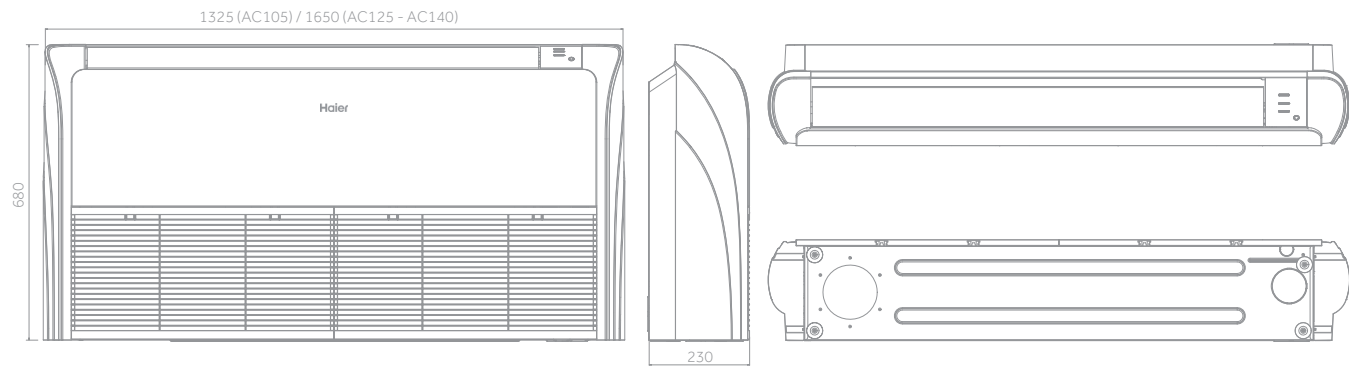


INDOOR UNIT	Model	AC105S2SH1FA(H)	AC105S2SH1FA(H)	AC125S2SK1FA(H)	AC125S2SK1FA(H)
OUTDOOR UNIT	Model	1U105S2SS2FA	1U105S2SS1FB	1U125S2SN2FA	1U125S2SN2FB
<b>Performance data</b>					
Output power - COOLING	nom (min-max)	kW	9,50 (2,50-10,00)	9,50 (2,50-10,00)	12,30 (3,00-13,00)
Output power - HEATING	nom (min-max)	kW	10,20 (3,00-10,50)	10,50 (3,00-11,00)	12,70 (3,50-13,50)
Absorbed power - COOLING	nom (min-max)	kW	3,13 (0,50-4,00)	3,25 (0,50-4,00)	4,54 (1,00-6,00)
Absorbed power - HEATING	nom (min-max)	kW	3,07 (0,50-4,00)	3,10 (0,50-4,00)	3,96 (1,00-6,00)
Energy class	EER	W/W	3,04	2,90	2,71
	COP	W/W	3,32	3,50	3,21
COOLING Pdesign	35 °C	kW	9,50	9,50	12,30
HEATING Pdesign	(-10 °C)	kW	7,00	6,00	8,00
Energy class	SEER		6,11 (A++)	6,11 (A++)	5,86 (A+)
	SCOP		3,80 (A)	3,91 (A)	3,97 (A)
Annual Energy Consumption - COOLING		kWh/a	549	557	738
Annual Energy Consumption - HEATING		kWh/a	2750	2228	2995
<b>Indoor Unit</b>					
Power supply		Ph/V/Hz	1/220-240/50/60	1/220-240/50/60	1/220-240/50/60
Treated air volume	(H/M/L/Q)	m³/h	1600/1400/1280/1160	1600/1400/1280/1160	2050/1900/1600/1400
High sound power		dB	61	63	64
Sound pressure		dB(A)	47/43/41/37	47/43/41/37	46/43/41/38
Net dimensions	WxDxH	mm	1325x230x680	1325x230x680	1650x230x680
Packaging dimensions	WxDxH	mm	1425x305x779	1425x305x779	1750x305x779
Net/gross weight		kg	33,5/41,9	33,5/41,9	43,0/51,0
<b>Outdoor Unit</b>					
Power supply		Ph/V/Hz	1/220-240/50/60	3/380-415/50/60	1/220-240/50/60
Power cable		N x mm²	3 x 4,0	5 x 4,0	3 x 6,0
Interconnection cable		N x mm²	4 x 2,5	4 x 2,5	4 x 2,5
Sound power	H	dB	66	68	72
Sound pressure	H	dB(A)	53	54	58
Running current cooling/heating	Max	A	16,5	6,8	26,0
Starting current cooling/heating	Max	A	3,0	1,0	4,0
Net dimensions	WxDxH	mm	920x372x765	920x372x765	950x370x965
Packaging dimensions	WxDxH	mm	1036x478x820	1085x485x830	1050x485x1130
Net/gross weight		kg	60,0/65,0	61,0/66,0	84,0/89,0
Compressor type			Twin rotary inverter	Twin rotary inverter	Twin rotary inverter
<b>Installation data</b>					
Refrigerant			R32	R32	R32
Liquid pipe	∅	mm (inch)	9,52 (3/8)	9,52 (3/8)	9,52 (3/8)
Gas pipe	∅	mm (inch)	15,88 (5/8)	15,88 (5/8)	15,88 (5/8)
Standard pipe length without refrigerant charge		m	30	30	30
Maximum pipe length		m	50	50	50
Maximum IU - OU elevation		m	30	30	30
Refrigerant charge in the factory		kg	1,70	1,70	2,30
Refrigerant charge in the factory		TCO2eq	1,15	1,15	1,55
Additional ref. charge over std length		g/m	45	45	45
Outdoor operating limits - COOLING	min-max	°C			-20-46
Outdoor operating limits - HEATING	min-max	°C			-20-24

# NEW CEILING FLOOR

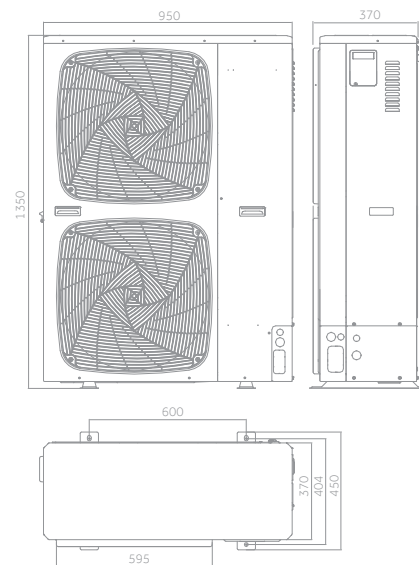
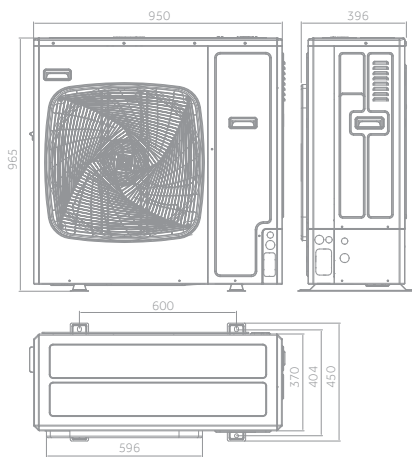


AC140 - AC160



1U140

1U140 - 1U160



14,0kW



14,0kW



16,0kW

# CEILING FLOOR NEW

# Haier

MONOSPLIT



14,0 kW

16,0 kW

OPTIONAL CONTROL



≥AC71) CEILING		≥AC71) FLOOR	
m (kg)	Sup. (m²)	m (kg)	Sup. (m²)
1,23	0,95	1,23	12,90
1,40	1,25	1,40	16,80
1,60	1,63	1,60	22,00
1,80	2,07	1,80	27,80
2,00	2,55	2,00	34,30
2,20	3,09	2,20	41,50
2,40	3,68	2,40	49,40
2,60	4,31	2,60	58,00
2,80	5,00	2,80	67,30
3,00	5,74	3,00	77,20

- Low noise level
- Flow +: Internal deflectors are divided into two groups with independent motors (independent right-left airflow)
- 5 fan speed: turbo, high, medium, low, super low (only with YR-HQS01 or wired controller)
- 'Fresh air' knockout is incorporated in the chassis to allow fresh air introduction of up to 20% of nominal unit air flow without compromising the cooling capacity. More than 20% of the air conditioner's thermal cooling capacity is penalise.
- Wi-Fi control integrated
- UVC Sterilisation



INDOOR UNIT		Model	AC140S2SK1FA(H)	AC140S2SK1FA(H)	AC140S2SK1FA(H)	AC140S2SK1FA(H)	AC160S2SK1FA(H)
OUTDOOR UNIT		Model	1U140S2SN1FA	1U140S2SN1FB	1U140S2SP2FA	1U140S2SP2FB	1U160S2SP1FB
Performance data							
Output power - COOLING	nom (min-max)	kW	13,4 (3,5 -14,0)	13,4 (3,5-14,0)	13,6 (4,0-15,0)	13,6 (4,0-15,0)	16,0 (4,5-16,5)
Output power - HEATING	nom (min-max)	kW	15,0 (4,0-15,5)	15,0 (4,0-15,5)	15,0 (4,5-16,0)	15,0 (4,5-16,0)	17,0 (5,0-18,0)
Absorbed power - COOLING	nom (min-max)	kW	5,23(1,0-6,5)	5,13(1,0-6,5)	4,53(1,0-6,0)	4,53(1,0-6,0)	5,39(1,0-6,5)
Absorbed power - HEATING	nom (min-max)	kW	5,08(1,0-6,5)	4,97(1,0-6,5)	4,17(1,0-6,0)	4,29(1,0-6,0)	4,97(1,0-6,5)
Energy class	EER	W/W	2.56	2.61	3	3	2.97
	COP	W/W	2.95	3.02	3.6	3.5	3.42
COOLING Pdesign	35 °C	kW	13.4	13.4	13.6	13.6	16
HEATING Pdesign	(-10 °C)	kW	8.5	8.5	10	10	11
Energy class	SEER		5.92 (A+)	5.97 (A+)	6.16 (A++)	6.18 (A++)	6.06 (A+)
	SCOP		3.97 (A)	4 (A+)	4.06 (A+)	4.06 (A+)	4.06 (A+)
Annual Energy Consumption - COOLING		kWh/a	792	786	761	759	924
Annual Energy Consumption - HEATING		kWh/a	2995	2976	3791	3791	3791
Indoor Unit							
Power supply		Ph/V/Hz	1/220-240/50/60	1/220-240/50/60	1/220-240/50/60	1/220-240/50/60	1/220-240/50/60
Treated air volume	(H/M/L/Q)	m³/h	2150/1980/1800/1600	2150/1980/1800/1600	2150/1980/1800/1600	2150/1980/1800/1600	2250/2000/1850/1650
High sound power		dB	66	66	66	66	67
Sound pressure		dB(A)	48/46/43/40	48/46/43/40	48/46/43/40	48/46/43/40	48/46/43/40
Net dimensions	WxDxH	mm	1650x230x680	1650x230x680	1650x230x680	1650x230x680	1650x230x680
Packaging dimensions	WxDxH	mm	1750x305x779	1750x305x779	1750x305x779	1750x305x779	1750x305x779
Net/gross weight		kg	43/51	43/51	43/51	43/51	43/51
Outdoor Unit							
Power supply		Ph/V/Hz	1/220-240/50/60	3/380-415/50/60	1/220-240/50/60	3/380-415/50/60	3/380-415/50/60
Power cable		N x mm²	3 x 6,0	5 x 4,0	5 x 6,0	5 x 4,0	5 x 4,0
Interconnection cable		N x mm²	4 x 2,5	4 x 2,5	4 x 2,5	4 x 2,5	4 x 2,5
Sound power	H	dB	72	72	70	70	72
Sound pressure	H	dB(A)	58	58	53	53	58
Running current	Max	A	30.0	10.0	32.0	10.0	10.0
Starting current	Max	A	5.0	2.0	6.0	2.0	2.0
Net dimensions	WxDxH	mm	950x370x965	950x370x965	950x370x1350	950x370x1350	950x370x1350
Packaging dimensions	WxDxH	mm	1050x485x1130	1050x485x1130	1050x485x1500	1050x485x1500	1050x485x1500
Net/gross weight		kg	84/89	85/90	105/118	101/116	101/116
Compressor type			Twin Rotary Inverter	Twin Rotary Inverter	Twin Rotary Inverter	Twin Rotary Inverter	Twin Rotary Inverter
Installation data							
Refrigerant			R32	R32	R32	R32	R32
Liquid pipe	∅	mm (inch)	9,52 (3/8)	9,52 (3/8)	9,52 (3/8)	9,52 (3/8)	9,52 (3/8)
Gas pipe	∅	mm (inch)	15,88 (5/8)	15,88 (5/8)	15,88 (5/8)	15,88 (5/8)	19,05 (3/4)
Standard pipe length without refrigerant charge		m	30	30	30	30	30
Maximum pipe length		m	70	70	70	70	70
Maximum IU - OU elevation		m	30	30	30	30	30
Refrigerant charge in the factory		kg	2.3	2.3	2.9	3.5	3.5
Refrigerant charge in the factory		TCO2eq	1.55	1.55	1.96	2.36	2.36
Additional ref. charge over std length		g/m	45	45	45	45	60
Outdoor operating limits - COOLING	min-max	°C			-20-46		
Outdoor operating limits - HEATING	min-max	°C			-20-24		

The data in this catalogue is purely indicative as the data may vary. Please be advised to check the accuracy of the data with the supplier before purchasing products.