

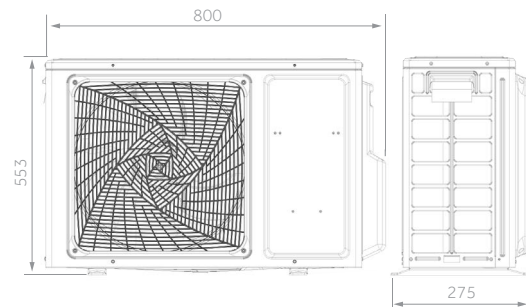
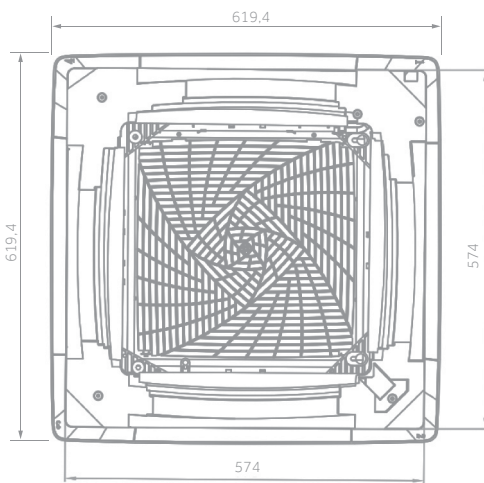
NEW CASSETTE 620



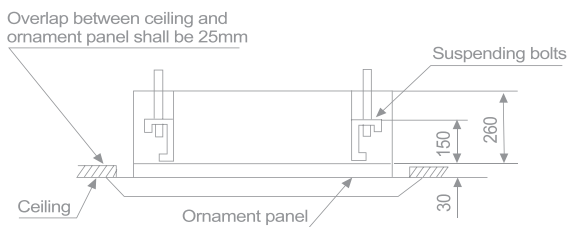
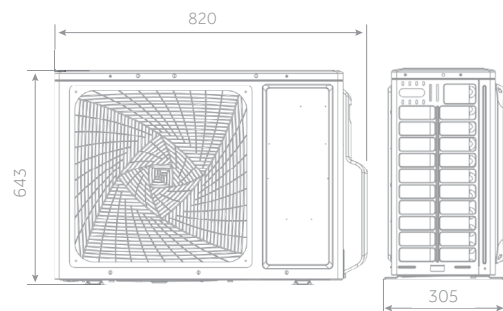
AB35 - AB50



1U35



1U50



3,5 kW

5,0 kW

# CASSETTE 620 NEW

Haier

3,5 kW

5,0 kW

OPTIONAL CONTROL

MONOSPLIT



Silence



4way Independent



Wi-Fi control integrated



Fresh Air



On-Off Card



UVC Sterilisation



- Low noise level
- Wi-Fi control integrated
- 'Fresh air' knockout is incorporated in the chassis to allow fresh air introduction of up to 20% of nominal unit air flow without compromising the cooling capacity.
- On-Off card

INDOOR UNIT		Model	AB35S2SC2FA(H)	AB50S2SC2FA(H)
OUTDOOR UNIT		Model	1U35S2SM1FA-2	1U50S2SJ2FA-2
<b>Performance data</b>				
Output power - COOLING	nom (min-max)	kW	3,50 (0,90-4,50)	5,00 (1,80-5,80)
Output power - HEATING	nom (min-max)	kW	4,00 (1,00-4,80)	5,50 (2,00-6,50)
Absorbed power - COOLING	nom (min-max)	kW	1,06 (0,28-1,80)	1,53 (0,55-2,00)
Absorbed power - HEATING	nom (min-max)	kW	1,08 (0,28-1,80)	1,52 (0,60-2,00)
Energy class	EER	W/W	3,31	3,26
	COP	W/W	3,71	3,42
COOLING Pdesign	35 °C	kW	3,50	5,00
HEATING Pdesign	(-10 °C)	kW	3,00	4,00
Energy class	SEER		6,10 (A++)	6,10 (A++)
	SCOP		3,80 (A)	4,00 (A+)
Annual Energy Consumption - COOLING		kWh/a	222	363
Annual Energy Consumption - HEATING		kWh/a	1427	1932
<b>Indoor Unit</b>				
Power supply		Ph/V/Hz	1/220-240/50/60	1/220-240/50/60
Treated air volume	(H/M/L/Q)	m <sup>3</sup> /h	620/520/450/350	700/620/500/400
High sound power		dB	52	55
Sound pressure		dB(A)	36/33/30/27	42/37/35/32
Net dimensions	WxDxH	mm	570x570x260	570x570x260
Packaging dimensions	WxDxH	mm	718x680x380	718x680x380
Net/gross weight		kg	18,5/22,0	19,0/22,0
Panel	Model		PB-620KB(H)	PB-620KB(H)
Panel Net dimensions			620x620x60	620x620x60
Panel Packaging dimensions			660x660x115	660x660x115
Panel Net/gross weight			2,8/4,5	2,8/4,5
<b>Outdoor Unit</b>				
Power supply		Ph/V/Hz	1/220-240/50	1/220-240/50
Power cable		N x mm <sup>2</sup>	3 x 1,5	3 x 1,5
Interconnection cable		N x mm <sup>2</sup>	4 x 1,0	4 x 1,0
Sound power	H	dB	61	63
Sound pressure	H	dB(A)	48	50
Running current cooling/heating	Max	A	8,0	10,68
Starting current cooling/heating	Max	A	2,0	2,0
Net dimensions	WxDxH	mm	800x275x553	820x305x643
Packaging dimensions	WxDxH	mm	902x375x607	940x390x697
Net/gross weight		kg	30,0/32,9	35,7/38,5
Compressor type			Rotary inverter	Twin rotary inverter
<b>Installation data</b>				
Refrigerant			R32	R32
Liquid pipe	Ø	mm (inch)	6,35 (1/4)	6,35 (1/4)
Gas pipe	Ø	mm (inch)	9,52 (3/8)	12,70 (1/2)
Standard pipe length without refrigerant charge		m	7	7
Maximum pipe length		m	15	25
Maximum IU - OU elevation		m	10	15
Refrigerant charge in the factory		kg	0,78	1,10
Refrigerant charge in the factory		TCO <sub>2</sub> eq	0,53	0,74
Additional ref. charge over std length		g/m	20	20
Outdoor operating limits - COOLING	min-max	°C		-20~43
Outdoor operating limits - HEATING	min-max	°C		-20~24