

## Series 3000

Series 3000 pressure switches convert a pressure signal to an electrical output. In response to a change in pressure, movement of an elastomeric diaphragm opens or closes an electrical circuit based on a predetermined pressure set point. The Series 3000 features cost effective, snap-acting electrical switches and field adjustable set points with a visual scale for easy set point selection. Pressure ranges as low as 2" Water Column (W.C.)\* up to 100 PSI are available. Series 3000 switches assure control stability through wide and variable temperature and humidity conditions and assure uninterrupted service under extreme shock and vibration. As with all Tecmark® products, series 3000 switches provide superior performance and 100,000 cycle life under full mechanical, electrical and thermal loads.

\*27.7" water column = 1 PSI

### TYPICAL APPLICATIONS:

Commonly used as an interlock device to sense air, gas or water pressure at a specific point, Series 3000 switches provide on/off control of:

- Electric or gas heaters
- Pumps
- Small air compressors
- Electric strip heaters in VAV systems
- Waste oil heating systems
- Food processing equipment
- Residential boilers
- Other electrical equipment in pneumatic, gas, or fluid flow systems

### BASIC CONSTRUCTION:

- Elastomeric diaphragm eliminates the need for an oil barrier
- Insulators designed to protect against direct exposure to live parts
- Field adjustable pressure set points. Factory calibration available upon request
- Built in over pressure protection designed to eliminate stress on other critical operating components
- UL Recognized, Canadian and United States, as an operating, limit or safety control
- Available with CE approved electrical snap switches

### AVAILABLE FEATURES:

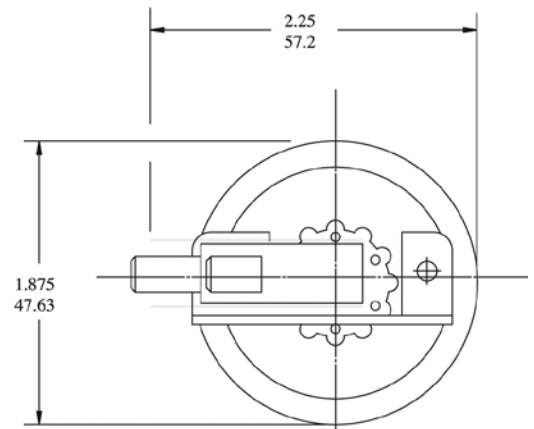
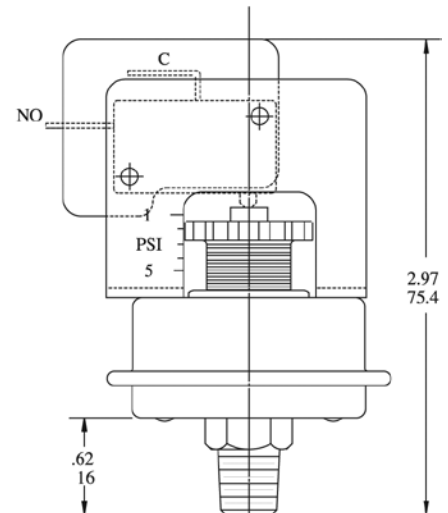
- Pressure ranges as low as 2" WC up to 100 PSI (500 Pa to 690 kPa)
- SPST, SPDT, DPST, or DPDT switching logic
- 1/4" male quick connect or #8 screw terminals for electrical connections
- A variety of mounting pan and pressure fitting materials; plated steel, stainless steel or injection molded plastic
- Wide array of pressure fittings; 1/8" NPT male, 1/4" NPT male, 3/16" barbed, 1/8", 3/16" or 1/4" compression, or 1/8" NPT female with 1/2" conduit male external thread for mounting
- Fitting or bracket mounting options
- Specialty diaphragm materials; Buna-N, EPDM, Hydrin
- Models available with or without wiring enclosures

### RATINGS AND SPECIFICATIONS:

- Maximum Operating Pressure and Hydrostatic burst pressure, varies based on model configurations. Consult factory for specific application needs.
- Electrical ratings to 25 amp, 250 VAC
- Field tested critical components specifically selected to operate reliably in temperature extremes of 32° to 190°F (0°C to 88°C)
- 100,000+ cycle life under full mechanical, electrical and thermal loads

### DESIGN FLEXIBILITY:

Tecmark's manufacturing philosophy is unique. In an effort to provide you with a product that is most suited to your application, Series 3000 switches incorporate numerous interchangeable components for the ultimate in design flexibility. This means a product tailored to your needs without the high price and long lead times associated with custom manufacturing. If you have a need and don't see the features you require, please ask us!



### Pressure Fittings

