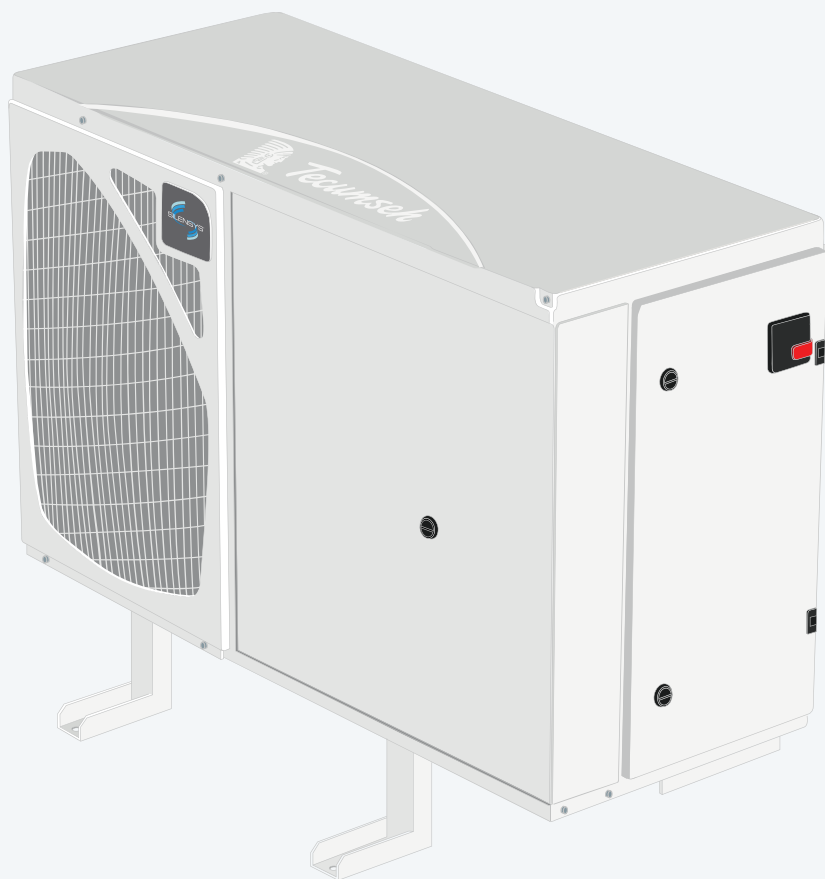




Tecumseh

SILENSYS[®] ADVANCED

THE ACOUSTIC REFERENCE
FOR HOUSED UNITS



ROBUST SOLUTION

EASE TO USE

SAFE BY DESIGN

TECHNICAL-
ECONOMIC CHOICE



WWW.TECUMSEH.COM

THE EXCLUSIVE FUNCTIONS OF SILENSYS[®] ADVANCED

UNCOMPROMISING SAFETY WITH A2L REFRIGERANTS

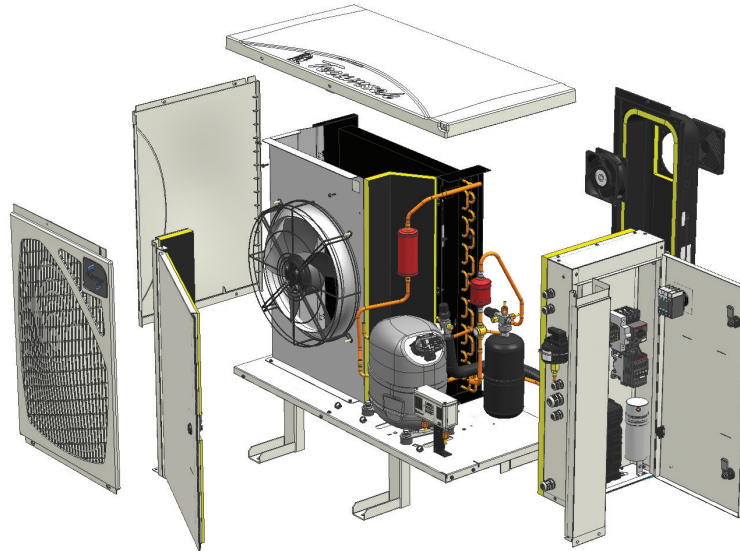
- Compressor compartment with interlocked fan to provide permanent dilution of refrigerant.
- Electro-mechanical components suitable for A2L refrigerant.
- Electrical components (on/off switch, contactor, circuit breaker) standard and located in an electrical box protected from refrigerant ingress in case of leakage.

EASY ACCESS & ASSEMBLY

- Direct access using separate doors to electrical and refrigeration components: no inner panel to unscrew.
- Space available on Din Rail for additional connection terminals.
- Bi-function mounting feet: floor or wall mounting without additional brackets.

DESIGN HOUSING

- Polypropylene, to prevent corrosion.
- Proven UV resistance.



LOW NOISE

- Reduced noise by 2-3dB by design.

GENEROUS SIZING OF THE CONDENSING SUB-ASSEMBLY

- Operates up to 46°C ambient temperature.
- Ensures continuity of cooling during hot spikes and transitional periods.
- Contributes to the reliability and lifetime of the product.

PROTECTIVE PACKAGING

- Double fluted cardboard cover.
- The pallet can be safely carried by pallet trucks.
- Simplified unpacking thanks to the cardboard cover.

REFRIGERATION PERFORMANCE LOW TEMPERATURE APPLICATIONS (LBP)



MODEL	REFRIGERATION OUTPUT, R-455A* 32°C amb., 10K surperheat, 3K subcool, Mid/Mid						REFRIG. OUTPUT EN13215 To -35°C		Aco. P dB(A) at 10m	Vent. flow rate m3/h	Res. Vol. L	Pipe Diam.		Dim. N°	Max. current A	
	Evaporation Temperature (°C) :						Perf. (W)	COP (W/W)				Suction	Liq. disch		FZ (or XC)	TX
	-35°	-30°	-25°	-20°	-15°	-10°										
SILAJ2432P-FZ	340	480	650	860	1100	1380	390	0,97	28	1300	0,75	12,7 - 1/2"	6,35 - 1/4"	S	5,7	/
SILAJ2440P-FZ	430	590	790	1020	1290	1600	490	1,01	28	1300	0,75	12,7 - 1/2"	6,35 - 1/4"	S	6,1	/
SILAJ2446P-FZ	490	690	920	1180	1480	1820	570	0,95	28	1300	1,50	12,7 - 1/2"	6,35 - 1/4"	S	8,0	/
SILAJ2446P-TX	490	690	920	1180	1480	1820	570	0,95	28	1300	1,50	12,7 - 1/2"	6,35 - 1/4"	S	/	/
SILAJ2464P-FZ	650	900	1180	1520	1910	2350	750	0,98	28	1300	1,50	12,7 - 1/2"	6,35 - 1/4"	S	9,9	/
SILAJ2464P-TX	650	890	1170	1500	1880	2310	750	0,99	30	1300	1,50	12,7 - 1/2"	6,35 - 1/4"	S	/	3,7
SILFH2480P-XC	970	1420	1960	2580	3310	4130	1120	1,05	33	3110	1,50	15,9 - 5/8"	9,5 - 3/8"	M	17,3	/
SILFH2480P-TX	980	1400	1910	2520	3240	4070	1140	1,12	33	3110	1,50	15,9 - 5/8"	9,5 - 3/8"	M	/	7,6
SILFH2511P-XC	1470	2010	2660	3420	4300	5300	1700	1,11	34	3110	1,50	15,9 - 5/8"	9,5 - 3/8"	M	21,1	/
SILFH2511P-TX	1440	1980	2640	3420	4330	5390	1670	1,17	34	3110	1,50	15,9 - 5/8"	9,5 - 3/8"	M	/	9,1
SILAG2516P-TX	1320	2100	2990	4020	5190	6500	1530	0,92	35	3110	2,35	22,2 - 7/8"	9,5 - 3/8"	M	/	10,9
SILAG2519P-TX	1690	2520	3480	4590	5830	7240	1960	0,99	40	3110	2,35	22,2 - 7/8"	9,5 - 3/8"	M	/	11,2
SILAG2522P-TX	2140	3050	4110	5330	6730	8320	2470	1,45	44	4870	3,90	22,2 - 7/8"	12,7 - 1/2"	M	/	13,0
SILAG2525P-TX	2280	3250	4360	5640	7100	8740	2640	1,46	45	4870	3,90	22,2 - 7/8"	12,7 - 1/2"	M	/	14,4

* for further details on powers, refer to the selection software that can be downloaded from <https://www.tecumseh.com>

REFRIGERATION PERFORMANCE

MEDIUM TEMPERATURE APPLICATIONS (HBP)

R-1234yf

MODEL	REFRIGERATION OUTPUT, R-455A* 32°C amb., 10K surperheat, 3K subcool, Mid/Mid Evaporation Temperature (°C) :							REFRIG. OUTPUT EN13215To-10°C		Aco. P dB(A) at 10m	Vent. flow rate m3/h	Res. Vol. L	Pipe Diam.		Dim. N°	Max. current A	
	-15°	-10°	-5°	0°	5°	10°	15°	Perf. (W)	COP (W/W)				Suction	Liq. disch		FZ	TX
	SILAE4450N-FZ	560	710	870	1060	1270	1510	1770	790				1,89	28		1300	0,75
SILAE4460N-FZ	620	770	950	1150	1370	1610	1890	860	1,75	28	1300	0,75	9,5-3/8"	6,35-1/4"	S	na	/
SILAJ4461N-TX	610	800	1010	1250	1530	1850	2210	880	1,84	28	1300	0,75	12,7-1/2"	9,5-3/8"	S	/	2,8
SILAJ4476N-FZ	710	910	1150	1410	1720	2060	2450	1010	1,72	28	1300	0,75	12,7-1/2"	9,5-3/8"	S	7,4	/
SILAJ4492N-FZ	890	1140	1430	1740	2100	2480	2900	1270	1,74	28	1300	1,50	12,7-1/2"	9,5-3/8"	S	9,1	/
SILAJ4492N-TX	890	1140	1430	1760	2110	2500	2930	1270	1,90	28	1300	1,50	12,7-1/2"	9,5-3/8"	S	/	3,7
SILAJ4511N-FZ	1130	1430	1780	2170	2600	3080	3600	1600	1,92	28	1300	1,50	12,7-1/2"	9,5-3/8"	S	8,8	/
SILAJ4511N-TX	1130	1430	1780	2170	2610	3100	3640	1600	1,83	28	1300	1,50	12,7-1/2"	9,5-3/8"	S	/	4,4
SILAJ4513N-FZ	1160	1480	1830	2230	2680	3170	3710	1650	1,85	28	1300	1,50	12,7-1/2"	9,5-3/8"	S	10,9	/
SILFH4518N-XC	1620	2070	2610	3220	3920	4700	5580	2310	2,00	33	2900	1,50	15,9-5/8"	9,5-3/8"	M	13,0	/
SILFH4518N-TX	1530	1980	2490	3080	3750	4490	5320	2200	2,12	33	2900	1,50	15,9-5/8"	9,5-3/8"	M	/	4,5
SILFH4525N-XC	2070	2620	3260	3990	4810	5730	6760	2920	2,06	33	2900	1,50	15,9-5/8"	9,5-3/8"	M	16,8	/
SILFH4525N-TX	2010	2540	3150	3840	4620	5490	6470	2830	2,10	34	2900	1,50	15,9-5/8"	9,5-3/8"	M	/	6,2
SILAG4528N-TX	2160	2890	3740	4690	5750	6930	8230	3220	1,88	35	3115	3,90	22,2-7/8"	12,7-1/2"	M	/	11,9
SILAG4534N-TX	2510	3310	4210	5230	6350	7590	8970	3690	1,88	35	3115	3,90	22,2-7/8"	12,7-1/2"	M	/	11,2
SILAG4537N-TX	2950	4020	5310	6810	8500	10400	12560	4490	2,20	34	3115	3,90	22,2-7/8"	12,7-1/2"	M	/	11,6
SILAG4543N-TX	3350	4330	5440	6680	8040	9530	11170	4840	1,88	44	4870	3,90	22,2-7/8"	12,7-1/2"	M	/	12,8
SILAG4547N-TX	3885	4990	6240	7620	9140	10780	12540	5570	2,46	39	4000	3,90	22,2-7/8"	12,7-1/2"	M+	/	12,8

REFRIGERATION PERFORMANCE

MEDIUM TEMPERATURE APPLICATIONS (HBP)

R-455A

R-454C

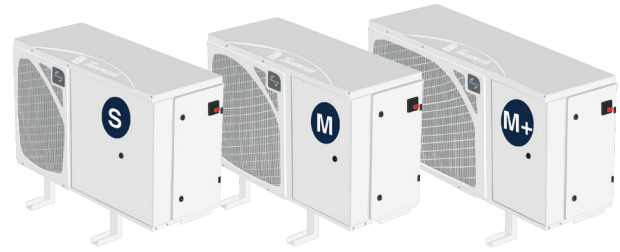
MODEL	REFRIGERATION OUTPUT, R-455A* 32°C amb., 10K surperheat, 3K subcool, Mid/Mid Evaporation Temperature (°C) :							REFRIG. OUTPUT EN13215To-10°C		Aco. P dB(A) at 10m	Vent. flow rate m3/h	Res. Vol. L	Pipe Diam.		Dim. N°	Max. current A	
	-25°	-15°	-10°	-5°	0°	5°	15°	Perf. (W)	COP (W/W)				Suction	Liq. disch		FZ (or XC)	TX
	SILAE4450P-FZ	390	620	770	940	1140	1380	1940	800				1,76	28		1300	0,75
SILAE4460P-FZ	460	720	890	1080	1310	1570	2190	930	1,78	28	1300	0,75	9,5-3/8"	6,35-1/4"	S	na	/
SILAE4470P-FZ	540	830	1020	1240	1500	1800	2500	1070	1,70	28	1300	0,75	9,5-3/8"	6,35-1/4"	S	na	/
SILAJ4480P-FZ	500	890	1140	1420	1750	2110	3000	1200	1,78	29	1300	1,50	12,7-1/2"	9,5-3/8"	S	6,1	/
SILAJ4480P-TX	500	890	1130	1410	1730	2100	3010	1190	1,74	29	1300	1,50	12,7-1/2"	9,5-3/8"	S	/	3,1
SILAJ4510P-FZ	600	1060	1340	1660	2030	2450	3480	1410	1,70	28	1300	1,50	12,7-1/2"	9,5-3/8"	S	7,7	/
SILAJ4510P-TX	660	1120	1410	1730	2110	2530	3550	1490	1,77	28	1300	1,50	12,7-1/2"	9,5-3/8"	S	/	3,6
SILAJ4513P-FZ	720	1320	1690	2120	2620	3180	4570	1780	1,80	28	1300	1,50	12,7-1/2"	9,5-3/8"	S	10,2	/
SILAJ4513P-TX	650	1280	1660	2100	2600	3170	4560	1750	1,76	28	1300	1,50	12,7-1/2"	9,5-3/8"	S	/	3,8
SILAJ4517P-FZ	760	1430	1840	2310	2830	3420	4850	1950	1,76	28	1300	2,35	12,7-1/2"	9,5-3/8"	S	11,3	/
SILAJ4517P-TX	820	1510	1920	2370	2870	3430	4760	2030	1,86	28	1300	2,35	12,7-1/2"	9,5-3/8"	S	/	4,3
SILAJ4519P-FZ	1040	1860	2370	2940	3580	4290	5840	2500	1,83	29	1300	2,35	12,7-1/2"	9,5-3/8"	S	16,5	/
SILAJ4519P-TX	1060	1900	2410	2990	3640	4350	5900	2550	1,76	28	1300	2,35	12,7-1/2"	9,5-3/8"	S	/	5,5
SILFH4524P-XC	1252	2397	3091	3874	4755	5741	8084	3263	2,06	33	3110	2,35	15,9-5/8"	9,5-3/8"	M	17	/
SILFH4524P-TX	1280	2370	3040	3800	4660	5640	7960	3210	2,08	33	3110	2,35	15,9-5/8"	9,5-3/8"	M	/	8
SILFH4532P-XC	1570	2980	3830	4780	5840	7020	9780	4040	2,18	33	3110	3,9	22,2-7/8"	12,7-1/2"	M	20,4	/
SILFH4532P-TX	1460	2810	3620	4550	5590	6760	9490	3820	2,13	33	3110	3,9	22,2-7/8"	12,7-1/2"	M	/	8,5
SILFH4538P-XC	2010	3640	4610	5710	6940	8330	11660	4870	1,96	34	3110	3,9	22,2-7/8"	12,7-1/2"	M	25,2	/
SILFH4538P-TX	2140	3740	4710	5790	7000	8340	11500	4980	2,08	34	3110	3,9	22,2-7/8"	12,7-1/2"	M	/	9,2
SILFH4544P-TX	2190	4030	5130	6290	7420	8910	12500	5660	2,71	43	4870	3,9	22,2-7/8"	12,7-1/2"	M	/	12,7
SILAG4553P-TX	2065	4360	5770	7370	9160	11130	15650	6091	2,61	43	4000	3,9	22,2-7/8"	15,9-5/8"	M+	/	14,9
SILAG4561P-TX	2810	5340	6880	8630	10590	12750	17690	7276	2,55	43	4000	6	22,2-7/8"	15,9-5/8"	M+	/	15,9
SILAG4568P-TX	2950	5710	7360	9210	11240	13480	18630	7793	2,54	41	4000	6	22,2-7/8"	15,9-5/8"	M+	/	17,6
SILAG4573P-TX	3570	6620	8440	10470	12720	15210	20970	8920	2,55	45	5400	6	28,6-1"1/8	15,9-5/8"	M+	/	20,5
SILAG4581P-TX	4180	7380	9310	11470	13890	16580	22860	9856	2,48	45,00	5400	6	28,6-1"1/8	15,9-5/8"	M+	/	21,1

* for further details on powers, refer to the selection software that can be downloaded from <https://www.tecumseh.com>

DIMENSIONS / WEIGHTS

MEDIUM TEMP. APPLICATIONS (HBP) R-1234yf

MODEL	Base	Width mm	Height mm	Depth mm	Net Weight Kg	Gross Weight Kg
SILAE4450N-FZ	S	942	837	654	58	75
SILAE4460N-FZ	S	942	837	654	58	75
SILAJ4461N-TX	S	942	837	654	65	82
SILAJ4476N-FZ	S	942	837	654	65	82
SILAJ4492N-FZ	S	942	837	654	69	86
SILAJ4492N-TX	S	942	837	654	69	86
SILAJ4511N-FZ	S	942	837	654	71	88
SILAJ4511N-TX	S	942	837	654	71	88
SILAJ4513N-FZ	S	942	837	654	72	89
SILFH4518N-XC	M	1174	837	654	82	108
SILFH4518N-TX	M	1174	837	654	82	108
SILFH4525N-XC	M	1174	837	654	82	108
SILFH4525N-TX	M	1174	837	654	82	108
SILAG4528N-TX	M	1174	837	654	101	127
SILAG4534N-TX	M	1174	837	654	101	127
SILAG4537N-TX	M	1174	837	654	101	127
SILAG4543N-TX	M	1174	837	654	103	138
SILAG4547N-TX	M+	1400	830	654	118	153



FRAME	W mm	H mm	Depth mm
S	953	837	654
M	1174	837	654
M+	1400	830	654



MEDIUM TEMP. APPLICATIONS (HBP) R-455A / R-454C

MODEL	Base	Width mm	Height mm	Depth mm	Net Weight kg	Gross Weight Kg
SILAE4450P-FZ	S	942	837	654	57	76
SILAE4460P-FZ	S	942	837	654	58	77
SILAE4470P-FZ	S	942	837	654	58	77
SILAJ4480P-FZ	S	942	837	654	67	86
SILAJ4480P-TX	S	942	837	654	67	76
SILAJ4510P-FZ	S	942	837	654	71	77
SILAJ4510P-TX	S	942	837	654	71	77
SILAJ4513P-FZ	S	942	837	654	71	86
SILAJ4513P-TX	S	942	837	654	71	86
SILAJ4517P-FZ	S	942	837	654	71	90
SILAJ4517P-TX	S	942	837	654	71	90
SILAJ4519P-FZ	S	942	837	654	72	90
SILAJ4519P-TX	S	942	837	654	72	90
SILFH4524P-XC	M	1174	837	654	82	87
SILFH4524P-TX	M	1174	837	654	82	87
SILFH4532P-XC	M	1174	837	654	90	95
SILFH4532P-TX	M	1174	837	654	90	95
SILFH4538P-XC	M	1174	837	654	90	95
SILFH4538P-TX	M	1174	837	654	90	95
SILFH4544P-TX	M	1174	837	654	90	113
SILAG4553P-TX	M+	1400	830	654	120	150
SILAG4561P-TX	M+	1400	830	654	121	151
SILAG4568P-TX	M+	1400	830	654	123	153
SILAG4573P-TX	M+	1400	830	654	125	158
SILAG4581P-TX	M+	1400	830	654	125	158

LOW TEMP. APPLICATIONS (LBP) R-455A / R-454C

MODEL	Base	Width mm	Height mm	Depth mm	Net Weight kg	Gross Weight Kg
SILAJ2432P-FZ	S	942	837	654	66	85
SILAJ2440P-FZ	S	942	837	654	67	86
SILAJ2446P-FZ	S	942	837	654	68	87
SILAJ2446P-TX	S	942	837	654	68	87
SILAJ2464P-FZ	S	942	837	654	69	88
SILAJ2464P-TX	S	942	837	654	69	88
SILFH2480P-XC	M	1174	837	654	85	111
SILFH2480P-TX	M	1174	837	654	85	111
SILFH2511P-XC	M	1174	837	654	86	112
SILFH2511P-TX	M	1174	837	654	86	112
SILAG2516P-TX	M	1174	837	654	106	132
SILAG2519P-TX	M	1174	837	654	106	132
SILAG2522P-TX	M	1174	837	654	108	134
SILAG2525P-TX	M	1174	837	654	108	134

FIND ALL OUR TOOLS

ON WWW.TECUMSEH.COM AND IN OUR TECTOOLS APPLICATION

- e-catalogue
- project quotation flyer...

Follow us on **TECUMSEH EUROPE**
MIDDLE EAST AFRICA



TecTools™
by Tecumseh

