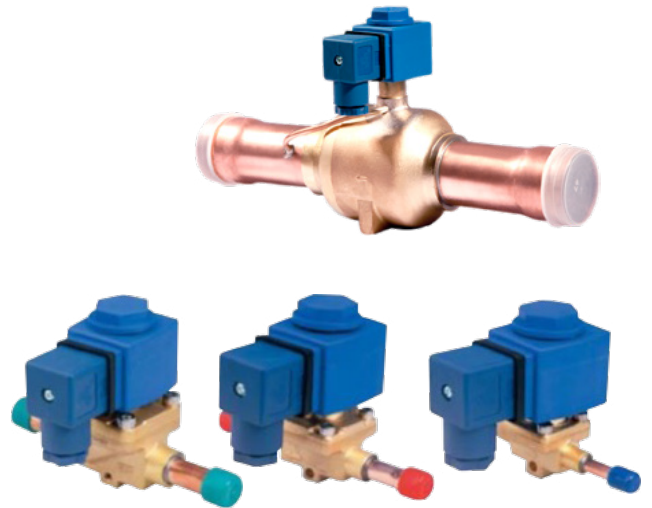


MDF SERIES

SOLENOID VALVE

(Standard range: for fluids GROUP 2 according to Directive 2014/68/EU or GROUP A1 according to ANSI-ASHRAE 34-2016).

MDF series solenoid valves are direct operated or pilot operated solenoid valves, mainly used in refrigerant control of various devices such as refrigerating and freezing systems, air conditioners and heat pumps.



FEATURES

- COILS: LOW ENERGY CONSUMPTION, RELIABLE
- GREAT VALVE OPENING PERFORMANCE, HIGH MOPD
- COILS ARE DOUBLE SEALED, WATER TIGHT AND SAFE
- QUICK INSTALLATION COIL MQ-A11 FOR FAST AND EASY INSTALLATION AVAILABLE

GENERAL SPECIFICATIONS¹⁾

- Applicable for all common HFC, HFO refrigerants such as: R134a, R404A, R407A/F, R407C, R410A, R448A, R449A, R450A, R452A, R513A, R507A
- Suitable for oil-free systems
- Medium temperature TS min./max.:
 - MDF 2H...22H and MDF 2L...15L: -30°C/105°C
 - MDF 25H...40H: -40°C/140°C
- Ambient temperature min./max.: -30°C / +55°C
- Relative humidity: 0 to 95% RH
- Installation position:
 - Liquid, suction and discharge line
 - Preferably coil upwards and flow direction corresponds to the arrow
- Declaration according to LVD or PED



TECHNICAL PARAMETERS OF VALVE BODY

Valve Body		Usable Coils	Normal position	Actuation	Kv [m ³ /h]	MOP [Mpa]	Max. OPD [Mpa]		Min. OPD ⁷⁾ [Mpa]
Solder	Flare						AC ⁴⁾ coil	DC ⁵⁾⁶⁾ coil	
MDF-A03-2H	MDF-A03-2L	AC + DC	NC ¹⁾	Direct	0,16	4,5	3,1	3,1	0,00
MDF-A03-3H	MDF-A03-3L				0,23			NR	
MDF-A03-6H	MDF-A03-6L	AC		NP	2,8				
MDF-D03-6H	MDF-D03-6H	DC							
MDF-A03-10H	MDF-A03-10L	AC		3,1	NR				
MDF-D03-10H	MDF-D03-10H	DC							
MDF-A03-15H	MDF-A03-15L	AC		3,1	NR				
MDF-D03-15H	MDF-D03-15L	DC							
MDF-A03-20H	-	AC + DC		Pilot ²⁾	5,0		3,1	3,1	0,02
MDF-A03-22H					5,9				
MDF-B03-25H			10,0						
MDF-B03-32H			15,0						
MDF-B03-40H			25,0						

- Note:**
- 1) NC means: Normally closed valve
 - 2) Membrane operated
 - 3) Piston operated
 - 4) NP means: not permitted to use, select MDF-A03 model
 - 5) NR means: not recommended to use. Only possible with R134a and min. evaporation temp. / max. condensing temp. -15°C/+58°C, select MDF-D03 model
 - 6) Pressure values valid for 24V DC coil. Values for 12V DC coils on request

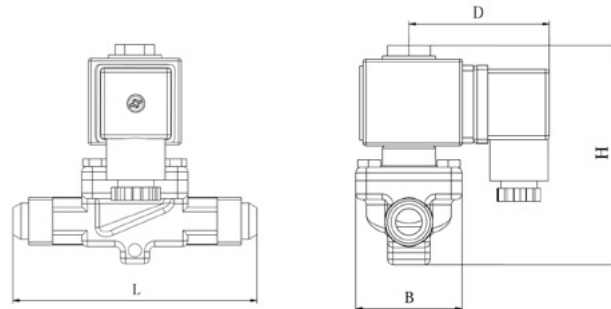
SOLENOID VALVE



DIMENSIONS

Valve Body

Thread Connection



Model Valve Body	Part Number ^{1) 2)}	SAE Flare Connection [inch]	Kv [m ³ /h]	PED Category Group 2	Dimensions [mm]			
					L	B	D	H
MDF-A03-2L 001	10125000102	1/4	0,16	4.3	59	30	53	82
MDF-A03-3L 001	10125009202	1/4	0,23	4.3	59	30	53	82
MDF-A03-3L 003	10125004402	3/8	0,23	4.3	70	30	53	82
MDF-A03-6L 001	10125009302	3/8	0,8	4.3	69	36	53	88
MDF-D03-6L 005	10125018002	3/8	0,8	4.3	69	36	53	88
MDF-A03-6L 003	10125004502	1/2	0,8	4.3	75	36	53	88
MDF-D03-6L 003	10125017802	1/2	0,8	4.3	75	36	53	88
MDF-A03-10L 003	10125005402	1/2	1,9	4.3	84	42	53	96
MDF-D03-10L 003	10125018902	1/2	1,9	4.3	84	42	53	96
MDF-A03-10L 001	10125009402	5/8	1,9	4.3	92	42	53	96
MDF-D03-10L 001	10125018702	5/8	1,9	4.3	92	42	53	96
MDF-A03-15L 001	10125009502	5/8	2,3	4.3	104	52	53	100
MDF-D03-15L 001	10125019302	5/8	2,3	4.3	104	52	53	100
MDF-A03-15L 003	10125004802	7/8	2,3	4.3	119	52	53	100
MDF-D03-15L 003	10125019502	7/8	2,3	4.3	119	52	53	100

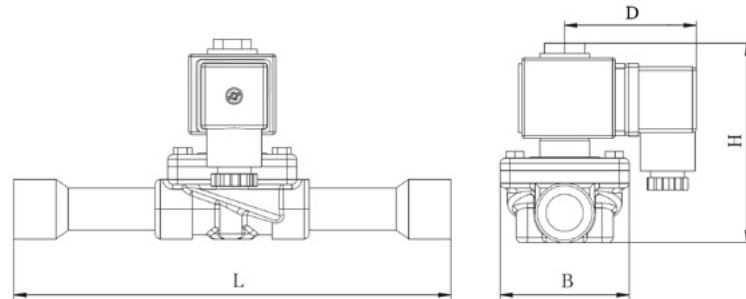
Note: 1) Extent of delivery: valve body without coil
 2) Available also as industrial package. Contact Sanhua for more details.

SOLENOID VALVE



DIMENSIONS

Valve Body - Inch Solder Connection



Model Valve Body	Part Number ^{1) 2)}	Solder Connection ODF	Kv	PED Category Group 2	Dimensions [mm]			
		[inch]	[m ³ /h]		L	B	D	H
MDF-A03-2H 001	10125011202	1/4	0,16	4.3	102	30	53	82
MDF-A03-3H 001	10125011302	1/4	0,23	4.3	102	30	53	82
MDF-A03-3H 003	10125003602	3/8	0,23	4.3	102	30	53	82
MDF-A03-6H 001	10125011402	3/8	0,8	4.3	111	36	53	88
MDF-D03-6H 001	10125017402	3/8	0,8	4.3	111	36	53	88
MDF-A03-6H 003	10125004202	1/2	0,8	4.3	127	36	53	88
MDF-D03-6H 003	10125017502	1/2	0,8	4.3	127	36	53	88
MDF-A03-10H 001	10125011502	1/2	1,9	4.3	127	42	53	95
MDF-D03-10H 001	10125017202	1/2	1,9	4.3	127	42	53	95
MDF-A03-10H 003	10125006302	5/8	1,9	4.3	160	42	53	95
MDF-D03-10H 003	10125018402	5/8	1,9	4.3	160	42	53	95
MDF-A03-15H 005	10125003702	5/8	2,3	4.3	176	52	53	100
MDF-D03-15H 005	10125017102	5/8	2,3	4.3	176	52	53	100
MDF-A03-15H 003	10125005002	7/8	2,3	4.3	176	52	53	100
MDF-D03-15H 003	10125019002	7/8	2,3	4.3	176	52	53	100
MDF-A03-20H 001	10125011702	7/8	5	4.3	191	52	53	117
MDF-A03-22H 001	10125011802	7/8	5,9	4.3	281	60	53	117
MDF-A03-20H 003	10125005602	1-1/8	5	4.3	214	52	53	117
MDF-A03-22H 009	10125006202	1-1/8	5,9	4.3	281	60	53	117
MDF-B03-25H 003	10125006902	1-1/8	10	4.3	256	76	53	144
MDF-A03-22H 003	10125005102	1-3/8	5,9	I	281	60	53	117
MDF-B03-25H 004	10125006802	1-3/8	10	I	280	76	53	144
MDF-B03-32H 001	10125009102	1-3/8	15	I	281	76	53	144
MDF-B03-32H 002	10125007502	1-5/8	15	I	281	76	53	144
MDF-B03-40H 002	10125004302	1-5/8	25	I	281	84	53	152
MDF-B03-40H 004	10125007702	2-1/8	25	I	281	84	53	152

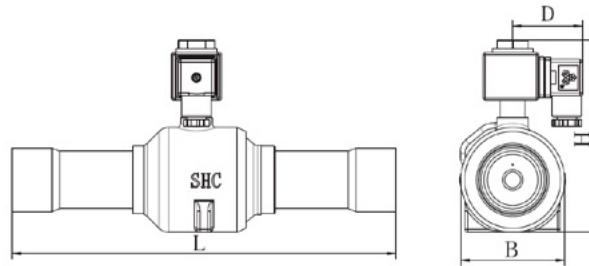
Note: 1) Extent of delivery: valve body without coil
 2) Available also as industrial package. Contact Sanhua for more details.

SOLENOID VALVE



DIMENSIONS

Valve Body – Metrical Solder Connection



Model Valve Body	Part Number ^{1) 2)}	Solder Connection ODF	Kv	PED Category Group 2	Dimensions [mm]			
		[mm]	[m ³ /h]		L	B	D	H
MDF-A03-2H 003	10125006502	6	0,16	4.3	102	30	53	82
MDF-A03-3H 005	10125003802	6	0,23	4.3	102	30	53	82
MDF-A03-3H 007	10125003402	10	0,23	4.3	117	30	53	82
MDF-A03-6H 005	10125004102	10	0,8	4.3	111	36	53	88
MDF-D03-6H 005	10125016802	10	0,8	4.3	111	36	53	88
MDF-A03-6H 007	10125006702	12	0,8	4.3	127	36	53	88
MDF-D03-6H 007	10125018202	12	0,8	4.3	127	36	53	88
MDF-A03-10H 005	10125003502	12	1,9	4.3	127	42	53	95
MDF-D03-10H 005	10125017002	12	1,9	4.3	127	42	53	95
MDF-A03-10H 003	10125006302	16	1,9	4.3	160	42	53	95
MDF-D03-10H 003	10125018402	16	1,9	4.3	160	42	53	95
MDF-A03-15H 005	10125003702	16	2,3	4.3	176	52	53	100
MDF-D03-15H 005	10125017102	16	2,3	4.3	176	52	53	100
MDF-A03-15H 003	10125005002	22	2,3	4.3	176	52	53	100
MDF-D03-15H 003	10125019002	22	2,3	4.3	176	52	53	100
MDF-A03-20H 001	10125011702	22	5	4.3	191	52	53	117
MDF-A03-22H 001	10125011802	22	5,9	4.3	281	60	53	117
MDF-A03-20H 007	10125005702	28	5	4.3	214	52	53	117
MDF-A03-22H 011	10125000302	28	5,9	4.3	281	60	53	117
MDF-B03-25H 005	10125007002	28	10	4.3	256	76	53	144
MDF-A03-22H 003	10125005102	35	5,9	I	281	60	53	117
MDF-B03-25H 004	10125006802	35	10	I	280	76	53	144
MDF-B03-32H 001	10125009102	35	15	I	281	76	53	144
MDF-B03-32H 003	10125007102	42	15	I	281	76	53	144
MDF-B03-40H 003	10125007602	42	25	I	281	84	53	152
MDF-B03-40H 004	10125007702	54	25	I	281	84	53	152

Note: 1) Extent of delivery: valve body without coil
 2) Available also as industrial package. Contact Sanhua for more details.



TECHNICAL PARAMETERS OF COIL

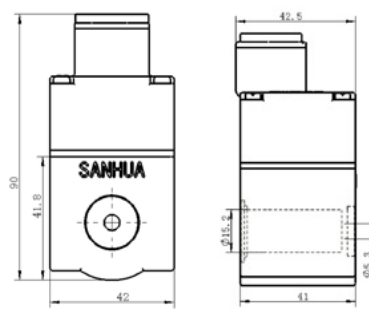
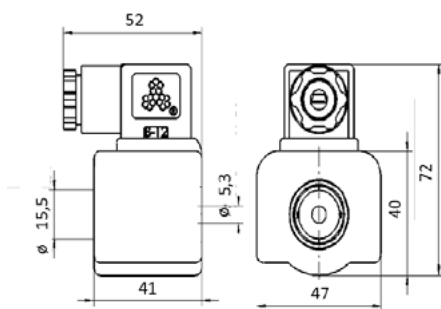
Model Coil ¹⁾	Part Number ²⁾	Plug type	Supply	Rated Voltage [V]	Power [W]	Voltage Tolerance	Insulation Class	Protection Class (w/plug)	UL Approval
MQ-A03024-000001	10820009902	DIN Plug	AC	24	10,5W (50Hz)	-15% +10%	F	IP67	NO
MQ-A03024-000018	10820013702				8,5W (60Hz)			IP65	YES
MQ-A0311A-000001	10820010102			110 to 120	12W (50Hz)			IP67	NO
MQ-A0311A-000005	10820016502				10W (60Hz)			IP65	YES
MQ-A0322G-000001 ⁴⁾	10820010002			220 to 240	12W (50Hz)			IP67	NO
MQ-A0322G-000024	10820015002				10W (60Hz)			IP65	YES
MQ-A11024-000001	10820009402	Quick Install Plug ³⁾	AC	24	9,5 (50Hz)			IP67	OR ⁵⁾
MQ-A1111A-000001	10820009202			110 to 120	11,5 (50Hz)				OR
MQ-A1122G-000001	10820009002			220 to 240	11 (50Hz)				OR
MQ-D03012-000002	10820001302	DIN Plug	DC	12	15	±10%		IP67	NO
MQ-D03024-000002	10820001002			24					NO
MQ-D03110-000003	OR			110					NO

- Note:**
- 1) Match with valve body: Please respect information in table "Technical Parameters of valve body". See page 2 of this document
 - 2) Extent of delivery: coil body, fastening screw for the coil body, plug for electrical connection incl. Gaskets and fastening screws
 - 3) Outer cable diameter: 7,1 to 9,7mm and cable core 0,75 to 2,5mm²
 - 4) Coil MQ-A0322G-000001 is third party certified for usage with flammable refrigerants (A2L, A3). Usage of the other coils (only without UL approval) with flammable refrigerants – please contact Sanhua.
 - 5) OR: On Request

DIMENSIONS - COILS

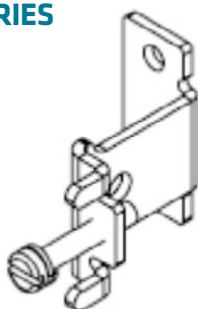
MQ-A03 and MQ-D03 (Coils with DIN Plug):

MQ-11 (Coils with Quick Install Plug):



ACCESSORIES

Bracket



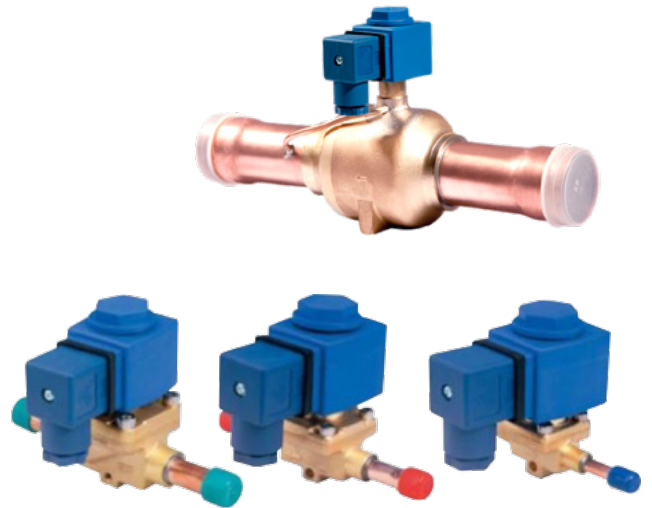
Model ¹⁾	Part Number	Applicable Valve Models	
		Solder	Flare
MDF-A03-033001	20125000902	MDF-A03-2H	MDF-A03-2L
		MDF-A03-3H	MDF-A03-3L
		MDF-A03-6H	MDF-A03-6L
		MDF-A03-10H	MDF-A03-10L
		MDF-A03-15H	MDF-A03-15L

Note: 1) Extent of delivery: bracket and screw

MDF SERIES**SOLENOID VALVE**

(GreenTech range: for fluids GROUP 1 according to Directive 2014/68/EU or GROUP A3/A2L according to ANSI-ASHRAE 34-2016).

MDF series solenoid valves are direct operated or pilot operated solenoid valves, mainly used in refrigerant control of various devices such as refrigerating and freezing systems, air conditioners and heat pumps.

**FEATURES**

- COILS: LOW ENERGY CONSUMPTION, RELIABLE
- GREAT VALVE OPENING PERFORMANCE, HIGH MOPD
- COILS ARE DOUBLE SEALED, WATER TIGHT AND SAFE

GENERAL SPECIFICATIONS¹⁾

- Applicable for HC, HFC/HFO, HFO refrigerants such as: R290, R1234ze(E), R1234yf, R447A, R452B, R454B, R454C, R455A
- Suitable for oil-free systems
- Maximum Operating Pressure:
 - MDF 2H...22H: 4,5 MPA (45 bar)
- Medium temperature TS min./max.: -30°C/105°C
- Ambient temperature min./max.: -30°C / +55°C
- Relative humidity: 0 to 95% RH
- Installation position:
 - Liquid, suction and discharge line
 - Preferably coil upwards and flow direction corresponds to the arrow
- Declaration according to LVD and PED



TECHNICAL PARAMETERS OF VALVE BODY

Valve Body Solder	Normal position	Actuation	Kv [m ³ /h]	MOP [Mpa]	Max. OPD [Mpa]	Min. OPD [Mpa]
MDF-A03-2H	NC ¹⁾	Direct	0,16	4,5	3,1 ³⁾	0,00
MDF-A03-3H			0,23			
MDF-A03-6H			0,8			
MDF-A03-10H		Pilot ²⁾	1,9			0,005
MDF-A03-15H			2,3			
MDF-A03-20H			5,0			
MDF-A03-22H			5,9			0,02

Note: 1) NC means: Normally closed valve
 2) Membrane operated
 3) Max. OPD at 85% Ue. Other coils on request

DIMENSIONS

Valve Body - Inch Solder Connection, Models with MOP 45 bar

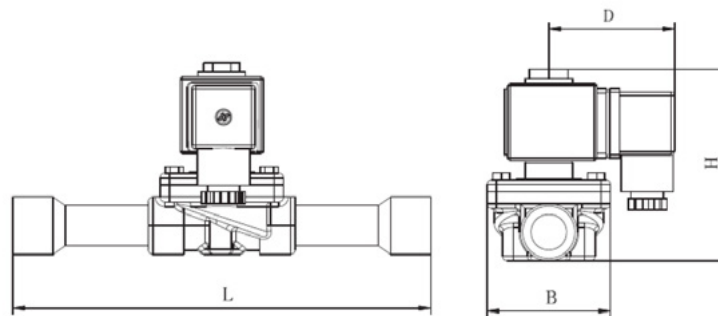
Model Valve Body	Part Number ^{1) 2)}	SAE Flare Connection [inch]	Kv [m ³ /h]	PED Category Fluid Group I	Dimensions [mm]			
					L	B	D	H
MDF-A03-2H 001	10125011202	1/4	0,16	4.3	102	30	53	82
MDF-A03-3H 001	10125011302	1/4	0,23	4.3	102	30	53	82
MDF-A03-3H 003	10125003602	3/8	0,23	4.3	102	30	53	82
MDF-A03-6H 001	10125011402	3/8	0,8	4.3	111	36	53	88
MDF-A03-6H 003	10125004202	1/2	0,8	4.3	127	36	53	88
MDF-A03-10H 001	10125011502	1/2	1,9	4.3	127	42	53	95
MDF-A03-10H 003	10125006302	5/8	1,9	4.3	160	42	53	95
MDF-A03-15H 005	10125003702	5/8	2,3	4.3	176	52	53	100
MDF-A03-15H 003	10125005002	7/8	2,3	4.3	176	52	53	100
MDF-A03-20H 001	10125011702	7/8	5	4.3	191	52	53	117
MDF-A03-22H 001	10125011802	7/8	5,9	4.3	281	60	53	117
MDF-A03-20H 003	10125005602	1-1/8	5	4.3	214	52	53	117
MDF-A03-22H 009	10125006202	1-1/8	5,9	4.3	281	60	53	117



Valve Body – Metrical Solder Connection, Models with MOP 45 bar

Model Valve Body	Part Number ^{1) 2)}	SAE Flare Connection [mm]	Kv [m ³ /h]	PED Category Fluid Group I	Dimensions [mm]			
					L	B	D	H
MDF-A03-2H 003	10125006502	6	0,16	4.3	102	30	53	82
MDF-A03-3H 005	10125003802	6	0,23	4.3	102	30	53	82
MDF-A03-3H 007	10125003402	10	0,23	4.3	117	30	53	82
MDF-A03-6H 005	10125004102	10	0,8	4.3	111	36	53	88
MDF-A03-6H 007	10125006702	12	0,8	4.3	127	36	53	88
MDF-A03-10H 005	10125003502	12	1,9	4.3	127	42	53	95
MDF-A03-10H 003	10125006302	16	1,9	4.3	160	42	53	95
MDF-A03-15H 005	10125003702	16	2,3	4.3	176	52	53	100
MDF-A03-15H 003	10125005002	22	2,3	4.3	176	52	53	100
MDF-A03-20H 001	10125011702	22	5	4.3	191	52	53	117
MDF-A03-22H 001	10125011802	22	5,9	4.3	281	60	53	117
MDF-A03-20H 007	10125005702	28	5	4.3	214	52	53	117
MDF-A03-22H 011	10125000302	28	5,9	4.3	281	60	53	117

Note: 1) Extent of delivery: valve body without coil
 2) Available also as industrial package. Contact Sanhua for more details.



SOLENOID VALVE



TECHNICAL PARAMETERS OF COIL

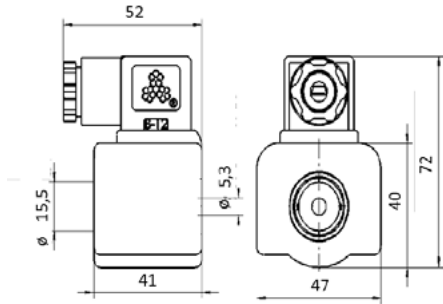
Model Coil	Part Number ¹⁾	Plug type	Supply	Rated Voltage [V]	Power [W]	Voltage Tolerance	Insulation Class	Protection Class (w/plug)	UL Approval
MQ-A0322G-000001 ²⁾	10820010002	DIN	AC	220 to 240	12 (50Hz) 10 (60Hz)	-15% +10%	F	IP67	NO

Note: 1) Extent of delivery: coil body, fastening screw for the coil body, plug for electrical connection incl. Gaskets and fastening screws

2) Coil MQ-A0322G-000001 is third party certified for usage with flammable refrigerants (A2L, A3). Usage of the other coils with flammable refrigerants – please contact Sanhua.

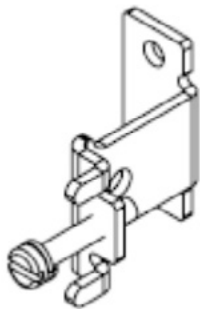
DIMENSIONS - COILS

MQ-A03 (Coil with DIN Plug):



ACCESSORIES

Bracket

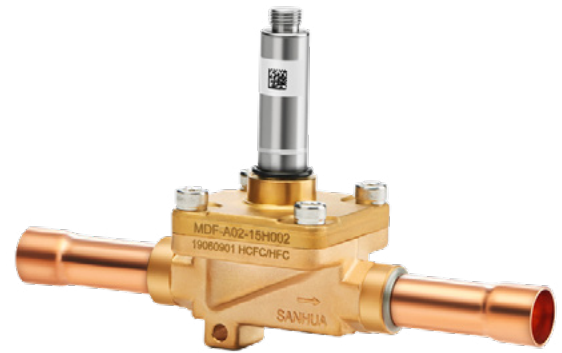


Model ¹⁾	Part Number	Applicable Valve Models
		Solder
MDF-A03-033001	20125000902	MDF-A03-2H
		MDF-A03-3H
		MDF-A03-6H
		MDF-A03-10H
		MDF-A03-15H

Note: 1) Extent of delivery: bracket and screw

MDF-A02 (NO) SERIES

SOLENOID VALVE



(Standard range: for fluids GROUP 2 according to Directive 2014/68/EU or GROUP A1 according to ANSI-ASHRAE 34-2016).

MDF-A02 series solenoid valves are normally open (NO) pilot operated solenoid valves, mainly used in refrigerant control of various devices such as refrigerating and freezing systems, air conditioners and heat pumps.

FEATURES

- COILS: LOW ENERGY CONSUMPTION, RELIABLE
- GREAT VALVE OPENING PERFORMANCE, HIGH MOPD
- COILS ARE DOUBLE SEALED, WATERTIGHT AND SAFE

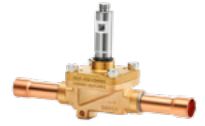
GENERAL SPECIFICATIONS¹⁾

- Applicable for all common HFC, HFO refrigerants such as: R134a, R404A, R407A/F, R407C, R410A, R448A, R449A, R450A, R452A, R513A, R507A
- Medium temperature: -30°C ~ +105°C
- Ambient temperature: -30°C ~ +55°C
- Relative humidity: 0 to 95%RH
- Installation position:
 - liquid, suction and discharge line
 - preferably coil upwards and flow direction corresponds to the arrow
- Declaration according to LVD and PED

Note: 1) Please contact Sanhua to get models for oil-free application.

MDF-A02 (NO) SERIES

SOLENOID VALVE



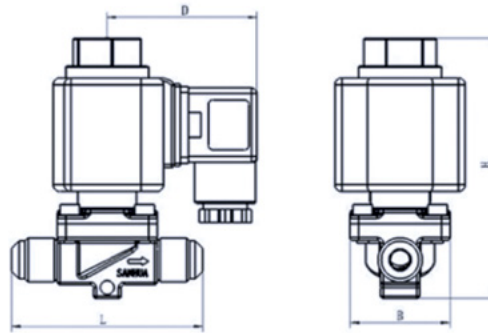
TECHNICAL PARAMETERS OF VALVE BODY

Valve Body		Usable Coils	Normal position	Actuation	Kv [m ³ /h]	MOP [Mpa]	Max. OPD [Mpa]	Min. OPD ⁴⁾ [Mpa]
Solder	Flare							
MDF-A02-6H	MDF-A02-6L	AC/DC	NC ¹⁾	Pilot ²⁾	0,8	4,5	2,8 ³⁾	0,02
MDF-A02-10H	MDF-A02-10L				1,9			
MDF-A02-15H	MDF-A02-15L				2,3			
MDF-A02-20H					5			
MDF-A02-22H					6			

- Note:** 1) NO means: Normally open valve
 2) Membrane operated
 3) Max. OPD with liquid is 2,1 MPa, Max. OPD at 85% Ue
 4) Min. OPD: values referred to 100% of nominal flow

DIMENSIONS

Valve Body - Thread Connection

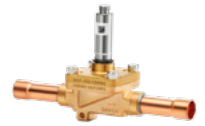


Model Valve Body	Part Number ¹⁾²⁾	SAE Flare Connection [inch]	Kv [m ³ /h]	PED Category Group 2	Dimensions [mm]			
					L	B	D	H
MDF-A02-6L 002	10125012502	3/8	0,8	4.3	69	36	53	95
MDF-A02-6L 004	10125012602	1/2	0,8	4.3	75	36	53	95
MDF-A02-10L 002	10125012902	5/8	1,9	4.3	92	42	53	102,5
MDF-A02-10L 004	10125013002	1/2	1,9	4.3	84	42	53	102,5
MDF-A02-15L 002	10125013302	5/8	2,3	4.3	104	52	53	107,5
MDF-A02-15L 004	10125013402	7/8	2,3	4.3	119	52	53	107,5

- Note:** 1) Extent of delivery: valve body without coil
 2) Available also as industrial package. Contact Sanhua for more details.

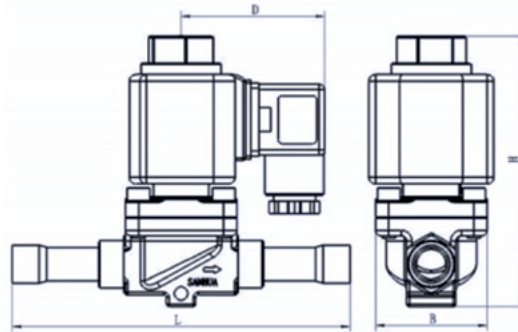
MDF-A02 (NO) SERIES

SOLENOID VALVE



DIMENSIONS

Valve Body - Solder Connection

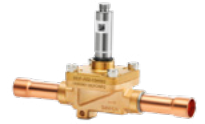


Model Valve Body	Part Number ¹⁾²⁾	Solder Connection ODF		Kv [m ³ /h]	PED Category Fluid Group 2	Dimensions [mm]			
		[inch]	[mm]			L	B	D	H
MDF-A02-6H 002	10125001802	3/8		0,8	4.3	111	36	53	95
MDF-A02-6H 004	10125012302	1/2		0,8	4.3	127	36	53	95
MDF-A02-6H 006	10125009702		10	0,8	4.3	111	36	53	95
MDF-A02-6H 008	10125012402		12	0,8	4.3	127	36	53	95
MDF-A02-10H 002	10125012002	1/2		1,9	4.3	127	42	53	102,5
MDF-A02-10H 004	10125012702	5/8	16	1,9	4.3	160	42	53	102,5
MDF-A02-10H 006	10125012802		12	1,9	4.3	127	42	53	102,5
MDF-A02-15H 004	10125013102	7/8	22	2,3	4.3	176	52	53	107,5
MDF-A02-15H 006	10125013202	5/8	16	2,3	4.3	176	52	53	107,5
MDF-A02-20H 002	10125013502	7/8	22	5	4.3	191	60	53	124
MDF-A02-20H 004	10125013602	1-1/8		5	4.3	214	60	53	124
MDF-A02-20H 008	10125013702		28	5	4.3	214	60	53	124
MDF-A02-22H 002	10125013802	7/8	22	6	4.3	281	60	53	124
MDF-A02-22H 004	10125013902	1-3/8	35	6	I	281	60	53	124
MDF-A02-22H 008	10125014002	1-1/8		6	4.3	281	60	53	124
MDF-A02-22H 012	10125015202		28	6	4.3	281	60	53	124

Note: 1) Extent of delivery: valve body without coil
2) Available also as industrial package. Contact Sanhua for more details.

MDF-A02 (NO) SERIES

SOLENOID VALVE



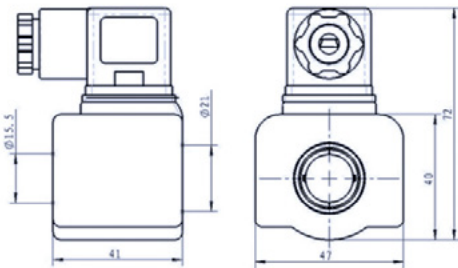
TECHNICAL PARAMETERS OF COIL

Model Coil	Part Number ¹⁾	Plug type ²⁾	Supply	Rated Voltage [V]	Power [W]	Voltage Tolerance	Insulation Class	Protection Class (w/plug)	UL Approval
MQ-A02024-000001	10820004502	DIN Plug	AC	24	12,5 (50Hz) 10,5 (60Hz)	-15% +10%	F	IP67	NO
MQ-A0211A-000001	10820003702			110 to 120					NO
MQ-A0222G-000001	10820004102			220 to 240					NO
MQ-D02012-000001	10820006702		DC	12	10	±10%			NO
MQ-D02024-000001	10820006902			24					NO

Note: 1) Extent of delivery: coil body, fastening screw for the coil body, plug for electrical connection incl. Gaskets and fastening screws
2) Outer cable diameter: 7,1 to 9,7mm and cable core 0,75 to 2,5mm²

DIMENSIONS - COILS

MQ-A02 (Coils with DIN Plug):

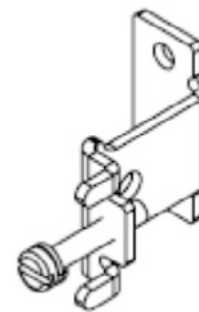


ACCESSORIES

Bracket

Model ¹⁾	Part Number	Applicable Valve Models	
		Solder	Flare
MDF-A03-033001	20125000902	MDF-A02-6H	MDF-A02-6L
		MDF-A02-10H	MDF-A02-10L
		MDF-A02-15H	MDF-A02-15L

Note: 1) Extent of delivery: bracket and screw



MDF-A02 (NO) SERIES

SOLENOID VALVE



(GreenTech range: for fluids GROUP 1 according to Directive 2014/68/EU or GROUP A3/A2L according to ANSI-ASHRAE 34-2016)

MDF-A02 series solenoid valves are normally open (NO) pilot operated solenoid valves, mainly used in refrigerant control of various devices such as refrigerating and freezing systems, air conditioners and heat pumps.

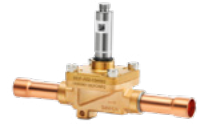
FEATURES

- COILS: LOW ENERGY CONSUMPTION, RELIABLE
- GREAT VALVE OPENING PERFORMANCE, HIGH MOPD
- COILS ARE DOUBLE SEALED, WATERTIGHT AND SAFE

GENERAL SPECIFICATIONS¹⁾

- Applicable for all common HFC/HFO/HC refrigerants such as: R290, R1234yf, R1234ze(E), R32²⁾, R454B, R454C
- Medium temperature: -30°C ~ +105°C
- Ambient temperature: -30°C ~ +55°C
- Relative humidity: 0 to 95%RH
- Installation position:
 - liquid, suction and discharge line
 - preferably coil upwards and flow direction corresponds to the arrow
- Declaration according to LVD and PED

Note: 1) MDF series is not suitable for "oil free" systems; customized models for such application are available on request
2) With R32 only respecting MOP 45 bar



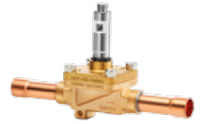
TECHNICAL PARAMETERS OF VALVE BODY

Valve Body Solder	Usable Coils	Normal position	Actuation	Kv [m ³ /h]	MOP [Mpa]	Max. OPD [Mpa]	Min. OPD ⁴⁾ [Mpa]
MDF-A02-6H	AC/DC	NC ¹⁾	Pilot ²⁾	0,8	4,5	2,8 ³⁾	0,02
MDF-A02-10H				1,9			
MDF-A02-15H				2,3			
MDF-A02-20H				5			
MDF-A02-22H				6			

- Note:** 1) NO means: Normally open valve
2) Membrane operated
3) Max. OPD with liquid is 2,1 MPa, Max. OPD at 85% Ue
4) Min. OPD: values referred to 100% of nominal flow

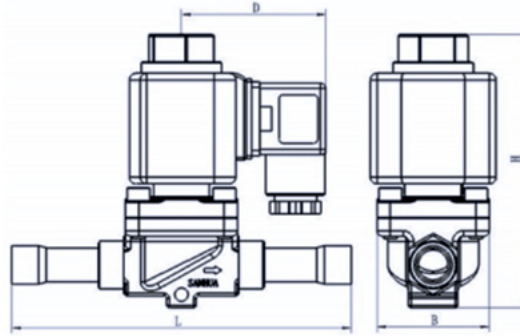
MDF-A02 (NO) SERIES

SOLENOID VALVE



DIMENSIONS

Valve Body - Solder Connection

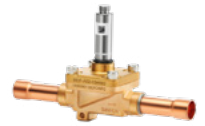


Model Valve Body	Part Number ¹⁾²⁾	Solder Connection ODF		Kv [m ³ /h]	PED Category Fluid Group 1	Dimensions [mm]			
		[inch]	[mm]			L	B	D	H
MDF-A02-6H 002	10125001802	3/8		0,8	4.3	111	36	53	95
MDF-A02-6H 004	10125012302	1/2		0,8	4.3	127	36	53	95
MDF-A02-6H 006	10125009702		10	0,8	4.3	111	36	53	95
MDF-A02-6H 008	10125012402		12	0,8	4.3	127	36	53	95
MDF-A02-10H 002	10125012002	1/2		1,9	4.3	127	42	53	102,5
MDF-A02-10H 004	10125012702	5/8	16	1,9	4.3	160	42	53	102,5
MDF-A02-10H 006	10125012802		12	1,9	4.3	127	42	53	102,5
MDF-A02-15H 004	10125013102	7/8	22	2,3	4.3	176	52	53	107,5
MDF-A02-15H 006	10125013202	5/8	16	2,3	4.3	176	52	53	107,5
MDF-A02-20H 002	10125013502	7/8	22	5	4.3	191	60	53	124
MDF-A02-20H 004	10125013602	1-1/8		5	4.3	214	60	53	124
MDF-A02-20H 008	10125013702		28	5	4.3	214	60	53	124
MDF-A02-22H 002	10125013802	7/8	22	6	4.3	281	60	53	124
MDF-A02-22H 008	10125014002	1-1/8		6	4.3	281	60	53	124
MDF-A02-22H 012	10125015202		28	6	4.3	281	60	53	124

Note: 1) Extent of delivery: valve body without coil
 2) Available also as industrial package. Contact Sanhua for more details.

MDF-A02 (NO) SERIES

SOLENOID VALVE



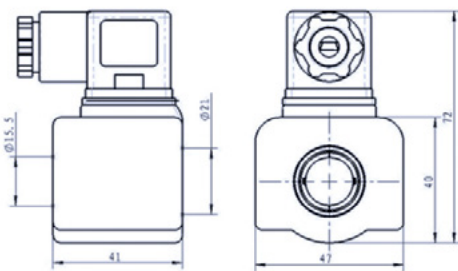
TECHNICAL PARAMETERS OF COIL

Model Coil	Part Number ¹⁾	Plug type ²⁾	Supply	Rated Voltage [V]	Power [W]	Voltage Tolerance	Insulation Class	Protection Class (w/plug)	UL Approval
MQ-A02024-000001	10820004502	DIN Plug	AC	24	12,5 (50Hz) 10,5 (60Hz)	-15% +10%	F	IP67	NO
MQ-A0211A-000001	10820003702			110 to 120					NO
MQ-A0222G-000001	10820004102			220 to 240					NO
MQ-D02012-000001	10820006702		DC	12	10	±10%			NO
MQ-D02024-000001	10820006902			24					NO

Note: 1) Extent of delivery: coil body, fastening screw for the coil body, plug for electrical connection incl. Gaskets and fastening screws
2) Outer cable diameter: 7,1 to 9,7mm and cable core 0,75 to 2,5mm²

DIMENSIONS - COILS

MQ-A02 (Coils with DIN Plug):

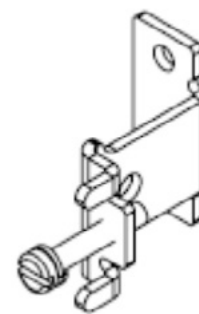


ACCESSORIES

Bracket

Model ¹⁾	Part Number	Applicable Valve Models	
		Solder	Flare
MDF-A03-033001	20125000902	MDF-A02-6H	MDF-A02-6L
		MDF-A02-10H	MDF-A02-10L
		MDF-A02-15H	MDF-A02-15L

Note: 1) Extent of delivery: bracket and screw



MQ-A11 SERIES

SOLENOID COIL

The special strength of the MQ-A11 coil series is the quick and easy installation. At the same time the product offers outstanding product features and it fulfill additionally the installation requirements of a wide range of applications. Typically are such coils used e.g. in the refrigeration, freezing systems, air conditioning and heat pump industry. The MQ-A11 coil fits to all MDF-A03 and MDF-B03 solenoid valves.



FEATURES

- QUICK INSTALLATION VIA TOOLLESS WIRE CONNECTION SYSTEM
- EASY CABLE ENTRY MANAGEMENT DUE TO JAM SCREW CABLE TIGHTENING
- IMPROVED PROTECTION CLASS
- FLEXIBLE AND SOLID CABLES USABLE
- REDUCED ENERGY CONSUMPTION

TECNHICAL PARAMETERS

Model Coil ¹⁾	Part Number ²⁾	Rated Voltage [V]	Supply	Power [W]	Frequ. [Hz]	Voltage Tolerance	Insulation Class	Protection class	Outer Cable ϕ [mm]	Cable core [mm ²]
MQ-A11 024-000001	10820009402	24	AC	9,5 (50Hz) 8,5 (60Hz)	50/60	-15% to +10%	F	IP67	7,1 to 9,7	0,75 to 2,5
MQ-A11 11A-000001	10820009202	110 to 120		11,5 (50Hz) 10,0 (60Hz)						
MQ-A11 22G-000001	10820009002	220 to 240		11,0 (50Hz) 9,5 (60Hz)						

Note: 1) Applicable to MDF-A03 and MDF-B03 valve bodies
2) Extent of delivery: coil body, junction box, gasket, 4x fixing screws, terminal strip and jam screw

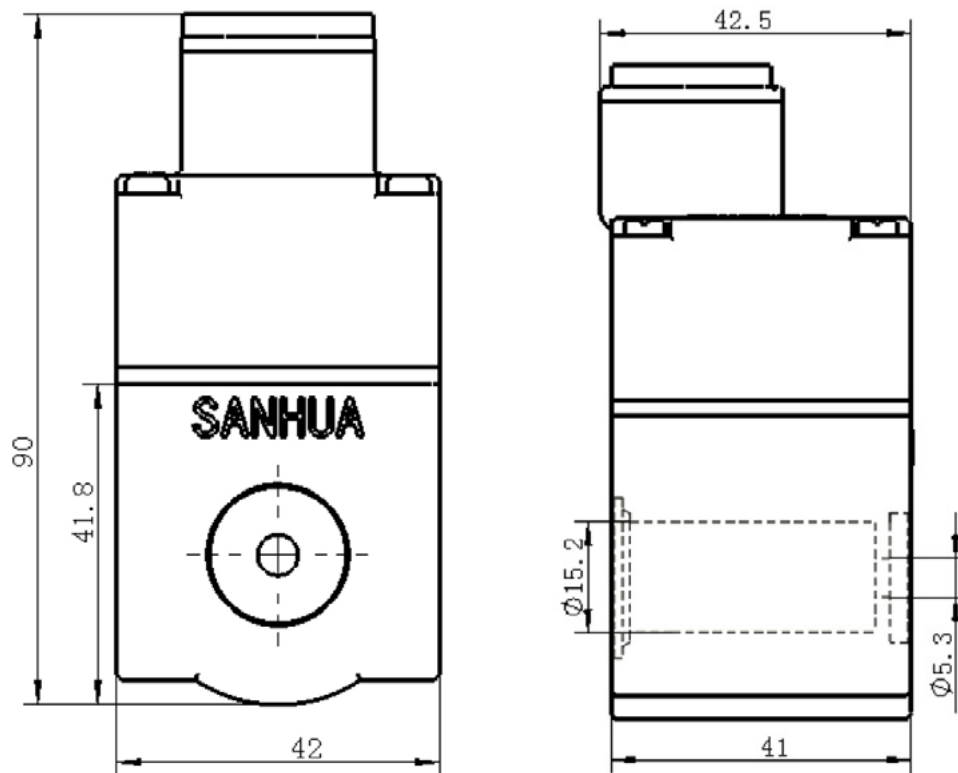
MQ-A11 SERIES

SOLENOID COIL



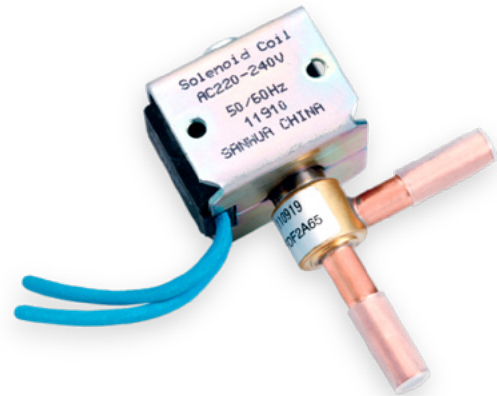
DIMENSIONS - COIL

Coils with junction box (MQ-A11)



FDF (NC) SERIES

SOLENOID VALVE



(**Standard range:** for fluids GROUP 2 according to Directive 2014/68/EU or GROUP A1 according to ANSI-ASHRAE 34-2016)

FDF series solenoid valves are direct operated or pilot operated solenoid valves, mainly used in refrigerant control of various devices such as refrigerating and freezing systems, air conditioners and heat pumps.

FEATURES

- COILS: LOW ENERGY CONSUMPTION, RELIABLE
- GREAT VALVE OPENING PERFORMANCE, HIGH MOPD

GENERAL SPECIFICATIONS

- Applicable for all common HCFC, HFC refrigerants such as: R22, R134a, R404A, R407C, R410A, R507, R407A/F, R448A/R449A, R452A, R450A/R513A
- Medium temperature TS min./max.: -30°C / 120°C
- Ambient temperature min./max.: -30°C / +50°C
- Relative humidity: 0 to 95% RH
- Installation position: - Liquid, suction and discharge line
- Coil upwards, coil axis $\pm 15^\circ$ tolerance versus vertical axis
- Flow direction corresponds to the arrow
- Certifications: UL/CSA* and declaration according to LVD or PED

TECHNICAL PARAMETERS OF VALVE BODY

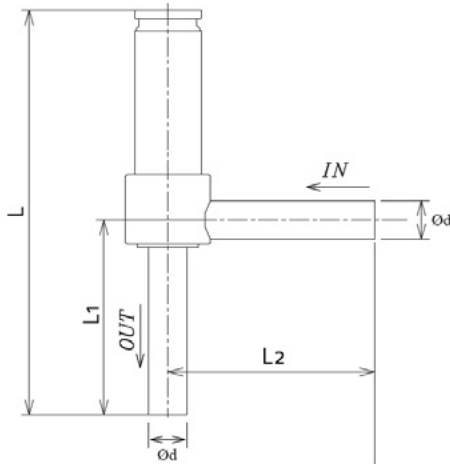
Model Valve Body	Part Number*	Normal Position	Actuation	\varnothing Seat	Kv	MOP	Max. OPD	Min. OPD	\varnothing d OD	\varnothing D OD	Measurement [mm]		
				[mm]	[m ³ /h]	[MPa]	[MPa]	[MPa]	[mm]	[inch]	L	L1	L2
FDF 2A 81	10120046002	NC	Direct	1,9	0,08	4,5	3,4	0	6,35	1/4	66,5	32	34
FDF 2.5A 08	10120021102			2,5	0,21		2,1	0,01	6,35	1/4	85	37,5	38
FDF 3A 16	10120044602			2,7	0,26		3,4	0,01	7,94	5/16	81,4	34,5	35,5
FDF 4A 10	10120025302		Pilot	4,0	0,30		2,8	0	6,35	1/4	81	35	38
FDF 6A 98	10120044702			5,8	0,56		3,4	0,01	7,94	5/16	81,6	34,5	35,5
FDF 11A 36	10120043202			11	2,40		2,8	0,02	12,7	1/2	117,5	62	62
FDF 13A 26	10120046702			13	3,50		15,88	5/8	117,5	62	62,3		

* Available also as industrial package. Contact Sanhua for more details.

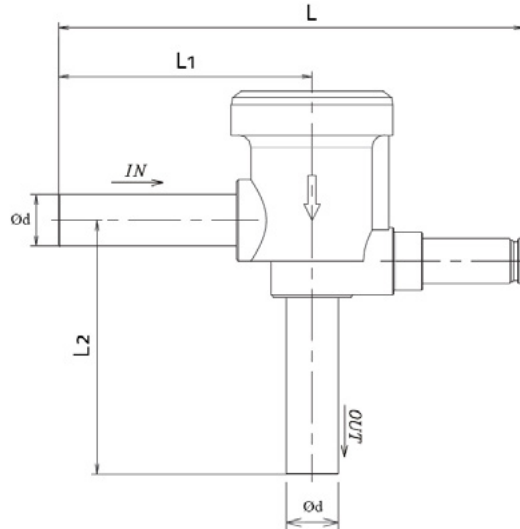


DIMENSIONS - VALVE BODY

FDF 2A ... FDF 6A



FDF 8A ... FDF 13A



TECNHICAL PARAMETERS OF COIL

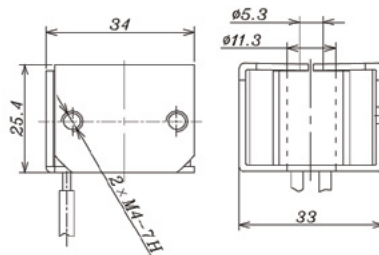
Model Coil	Part Number*	Rated Voltage [V]	Supply	Power ¹⁾ [W]	Freq. [Hz]	Voltage Tolerance	Insulation Class	Wiring type: flying leads [mm]
FQ-A05 024-000709	10800072302	24	AC	5 (50Hz) 4,5 (60Hz)	50/60	-15% +10%	B	1800±50
FQ-A05 120-001098	10800062002	110 to 120		5 (50Hz) 4,5 (60Hz)				800±30
FQ-A05 22G-001022	10800057302	220 to 240		5 (50Hz) 4,5 (60Hz)				600±20

Note: * Available also as industrial package. Contact Sanhua for more details.

1) FQ-A0522G power consumption based on 240V; FQ-A05120 power consumption based on 120V

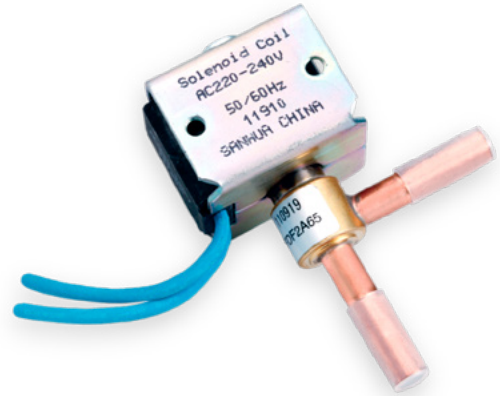
DIMENSIONS - COIL

FQA-55001 ... FQA-55003



FDF (NC) SERIES

SOLENOID VALVE



(**GreenTech range:** for fluids GROUP 1 according to Directive 2014/68/EU or GROUP A3/A2L according to ANSI-ASHRAE 34-2016)

FDF series solenoid valves are direct operated or pilot operated solenoid valves, mainly used in refrigerant control of various devices such as refrigerating and freezing systems, air conditioners and heat pumps.

FEATURES

- COILS: LOW ENERGY CONSUMPTION, RELIABLE
- GREAT VALVE OPENING PERFORMANCE, HIGH MOPD

GENERAL SPECIFICATIONS

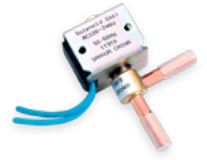
- Applicable for all common HFC/HFO/HC refrigerants such as: R290, R1234yf, R1234ze(E), R32¹⁾, R447A, R452B, R454B, R454C, R600a
- Medium temperature TS min./max.: -30°C / 120°C
- Ambient temperature min./max.: -30°C / +50°C
- Relative humidity: 0 to 95% RH
- Installation position: - Liquid, suction and discharge line
- Coil upwards, coil axis $\pm 15^\circ$ tolerance versus vertical axis
- Flow direction corresponds to the arrow
- Certifications: UL/CSA* and declaration according to LVD or PED

Note: 1) With R32 only respecting MOP 45 bar

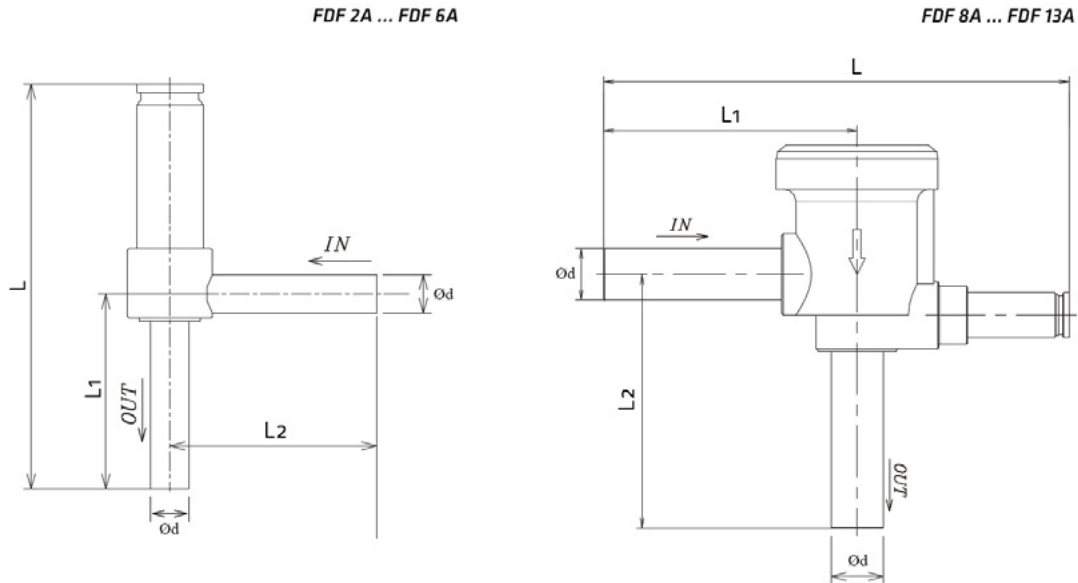
TECHNICAL PARAMETERS OF VALVE BODY

Model Valve Body	Part Number*	Normal Position	Actuation	Ø Seat	Kv	MOP	Max. OPD	Min. OPD	Ød OD	Ød OD	Measurement [mm]			
				[mm]	[m ³ /h]	[MPa]	[MPa]	[MPa]	[mm]	[inch]	L	L1	L2	
FDF 2A 81	10120046002	NC	Direct	1,9	0,08	4,5	3,4	0	6,35	1/4	66,5	32	34	
FDF 2.5A 08	10120021102		Pilot		2,5		0,21	2,1	0,01	6,35	1/4	85	37,5	38
FDF 3A 16	10120044602				2,7		0,26	3,4	0	7,94	5/16	81,4	34,5	35,5
FDF 4A 10	10120025302		4,0	0,30	2,8		0	6,35	1/4	81	35	38		
FDF 6A 98	10120044702		5,8	0,56	3,4		0,01	7,94	5/16	81,6	34,5	35,5		
FDF 11A 36	10120043202		11	2,40	2,8		0,02	12,7	1/2	117,5	62	62		
FDF 13A 26	10120046702		13	3,50				15,88	5/8	117,5	62	62,3		

* Available also as industrial package. Contact Sanhua for more details.



DIMENSIONS - VALVE BODY

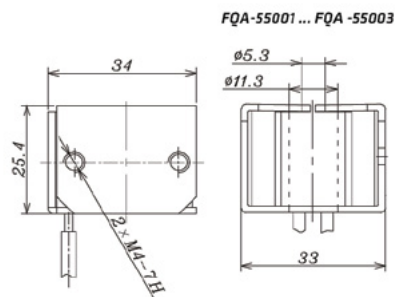


TECNHICAL PARAMETERS OF COIL

Model Coil	Part Number*	Rated Voltage [V]	Supply	Power ¹⁾ [W]	Freq. [Hz]	Voltage Tolerance	Insulation Class	Wiring type: flying leads [mm]
FQ-A05 22G-001022	10800057302	220 to 240	AC	5 (50Hz) 4,5 (60Hz)	50/60	-15% +10%	B	600±20

Note: 1) Power consumption based on 240V

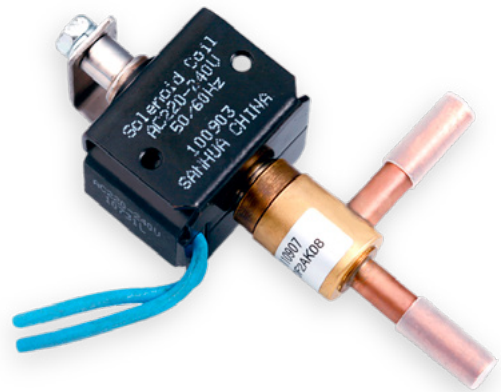
DIMENSIONS - COIL



FDF2AK (NO) SERIES

SOLENOID VALVE

FDF2AK series solenoid valves are direct operated, normally open solenoid valves, mainly used in refrigerant control of various devices such as refrigerating and freezing systems, air conditioners and heat pumps.



FEATURES

- COMPACT DESIGN
- LOW ENERGY CONSUMPTION
- EXCELLENT OPERATION PERFORMANCE

GENERAL SPECIFICATIONS

- Applicable for all common HCFC, HFC refrigerants such as: R22, R134a, R404A, R407C, R410A, R507, R407A/F, R448A/R449A, R452A, R450A/R513A¹⁾
- Medium temperature TS min./max.: -30°C / 120°C
- Ambient temperature: -30°C / +50°C
- Relative humidity: 0 to 95% RH

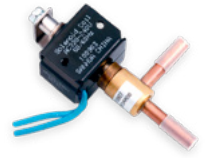
- Installation position:
 - Liquid, suction and discharge line
 - Coil upwards, coil axis $\pm 15^\circ$ tolerance versus vertical axis
 - Flow direction corresponds to the arrow
- Declaration according to LVD or PED

Note: 1) Flammable refrigerants like R32, R290 on request

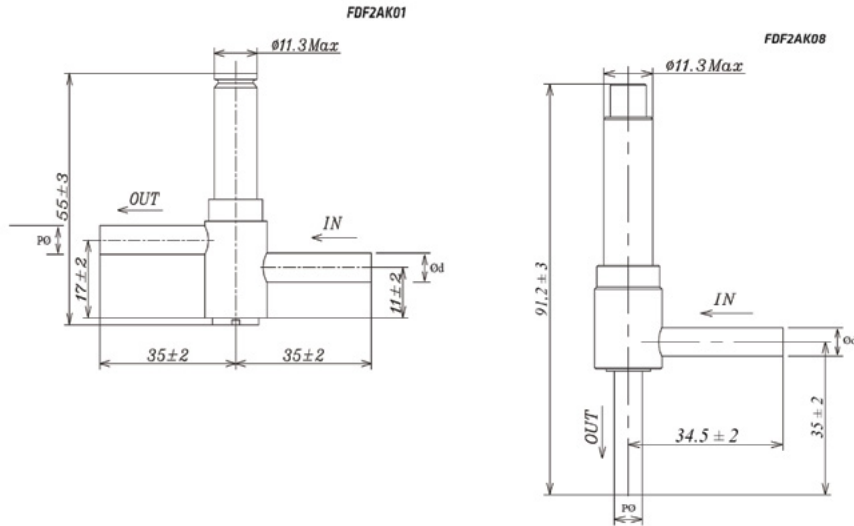
TECHNICAL PARAMETERS OF VALVE BODY

Valve Body Model	Part Number*	Normal Position	Actuation	Ø Seat [mm]	Kv [m ³ /h]	MOP [MPa]	Max. OPD [MPa]	Min. OPD [MPa]	Connection OD Ød	
									[mm]	[inch]
FDF2AK19	10120047402	NO	Direct	1,8	0,05	4,5	2,1	0	6,35	1/4
FDF2AK08	10120009702			1,9	0,08	4,5	1,5		±0,1	

* Available also as industrial package. Contact Sanhua for more details.



DIMENSIONS - VALVE BODY



TECNICAL PARAMETERS OF COIL

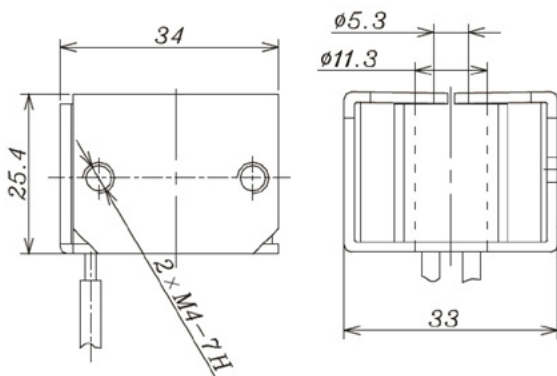
Coil Model	Part Number*	Rated Voltage [V]	Supply	Power ³⁾ [W]	Used for	Freq. [Hz]	Voltage Tolerance	Insulation Class	Wiring type
FQ-A05024-000709	10800072302	24	AC	5 (50Hz) 4,5 (60Hz)	FDF 2AK 01 ¹⁾	50/60	-15% +10%	B	flying leads
FQ-A05120-001098	10800062002	110 to 120		5 (50Hz) 4,5 (60Hz)					
FQ-A0522G-001022	10800057302	220 to 240		5 (50Hz) 4,5 (60Hz)					
FQ-A0522G-001066	10800060102	220 to 240		6,5 (50Hz) 5 (60Hz)	FDF 2AK 08 ²⁾				

Note: * Available also as industrial package. Contact Sanhua for more details.

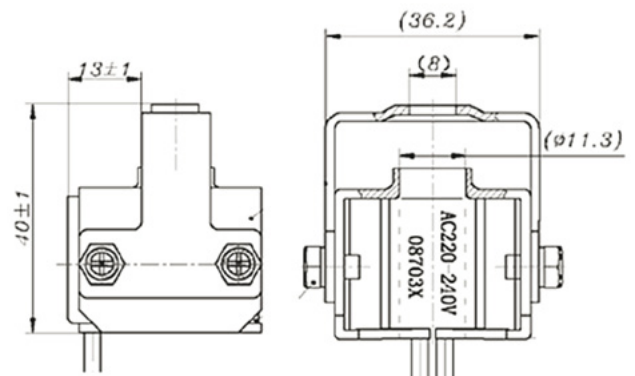
- 1) Dimensions: drawing 1
- 2) Dimensions: drawing 2
- 3) Power consumption based on 220V

DIMENSIONS - COIL

Drawing 1: FQ-A05024-000709, FQ-A05120-001098, FQ-A0522G-001022



Drawing 2: FQA-55007



LDF SERIES

SOLENOID VALVE

(GreenTech range: applicable for fluids GROUP 1 and GROUP 2 according to Directive 2014/68/EU or GROUP A3/A2L and GROUP A1 according to ANSI-ASHRAE 34-2016)

LDF series solenoid valves are direct operated or pilot operated solenoid valves, mainly used in refrigerant control of various devices such as refrigerating and freezing systems, air conditioners and heat pumps.



FEATURES

- COILS: LOW ENERGY CONSUMPTION, RELIABLE
- LOW INTERNAL LEAKAGE
- COMPACT DESIGN, EASY TO INSTALL.

GENERAL SPECIFICATIONS

- Applicable for all common HFC/HFO/HC refrigerants such as: R134a, R404A, R407A/F, R407C, R410A, R448A, R449A, R450A, R452A, R513A, R507A, R290, R1234yf, R1234ze(E), R32¹⁾, R447A, R452B, R454B, R454C
- Medium temperature TS min./max.: -30°C/+120°C
- Ambient temperature min./max.: -30°C /+50°C
- Relative humidity: 0 to 95%RH
- Max. operating pressure PS: 4.5Mpa
- Installation position:
 - Liquid, suction and discharge line
 - Coil upwards, coil axis $\pm 15^\circ$ to tolerance versus vertical axis
 - Flow direction corresponds to the arrow
- Declaration according to LVD or PED, UL approval

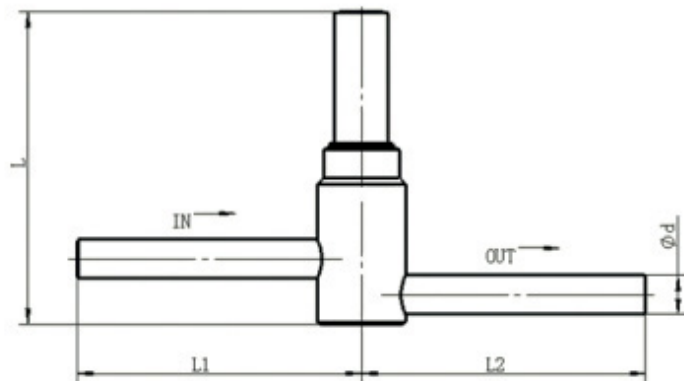
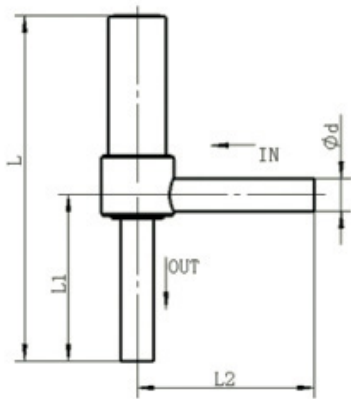
Note: 1) With R32 only respecting MOP 45 bar



TECHNICAL PARAMETERS OF VALVE BODY

Model Valve Body	Part Number	Normal Position	Actuation	Ø Seat [mm]	Kv [mm]	MOP [MPa]	OPD [MPa]		Ød ODM [inch]
							Max	Min	L2
LDF2A01	10127000102	NC	Direct	2	0.12	4.5	3.1	0	1/4
LDF2A02	10127000402			2	0.12	4.5	3.1	0	1/4
LDF3A08	10127001802		Pilot	3	0.26	4.5	3.1	0.005	1/4
LDF4A08	10127001102			4	0.3	4.5	3.1	0.005	1/4
LDF6A08	10127001202			5.8	0.6	4.5	3.1	0.005	5/16
LDF8A01	10127000502			8	0.9	4.5	3.1	0.005	3/8
LDF8A02	10127000602			8	1.1	4.5	3.1	0.005	3/8

Model Valve Body	Ød ODM [inch]	Dimensions			Drawings number
		L	L1	L2	
LDF2A01	1/4	51,6	40	39,5	2
LDF2A02	1/4	79,6	38,5	40	1
LDF3A08	1/4	91	45,8	46,7	1
LDF4A08	1/4	91	45	46	1
LDF6A08	5/16	95	48,5	49	1
LDF8A01	3/8	67	71	71	2
LDF8A02	3/8	120,7	69,5	71	1



SOLENOID VALVE



TECHNICAL PARAMETERS OF COIL

Model Coil	Rated voltage [V]	Power [W]	Voltage Tolerance	Insulation Class	Wiring type	Cable length, [mm]	Part Number
FQ-A05 024-000709	AC 24	5 (50Hz) 4,5 (60Hz)				1800	10800072302
FQ-A05 120-001098	AC 120	5 (50Hz) 4,5 (60Hz)	+10% -15%	B	Lead Wires	800	10800062002
FQ-A05 22G-001022	AC 220-240	5 (50Hz) 4,5 (60Hz)				600	10800057302

DIMENSIONS - COIL

