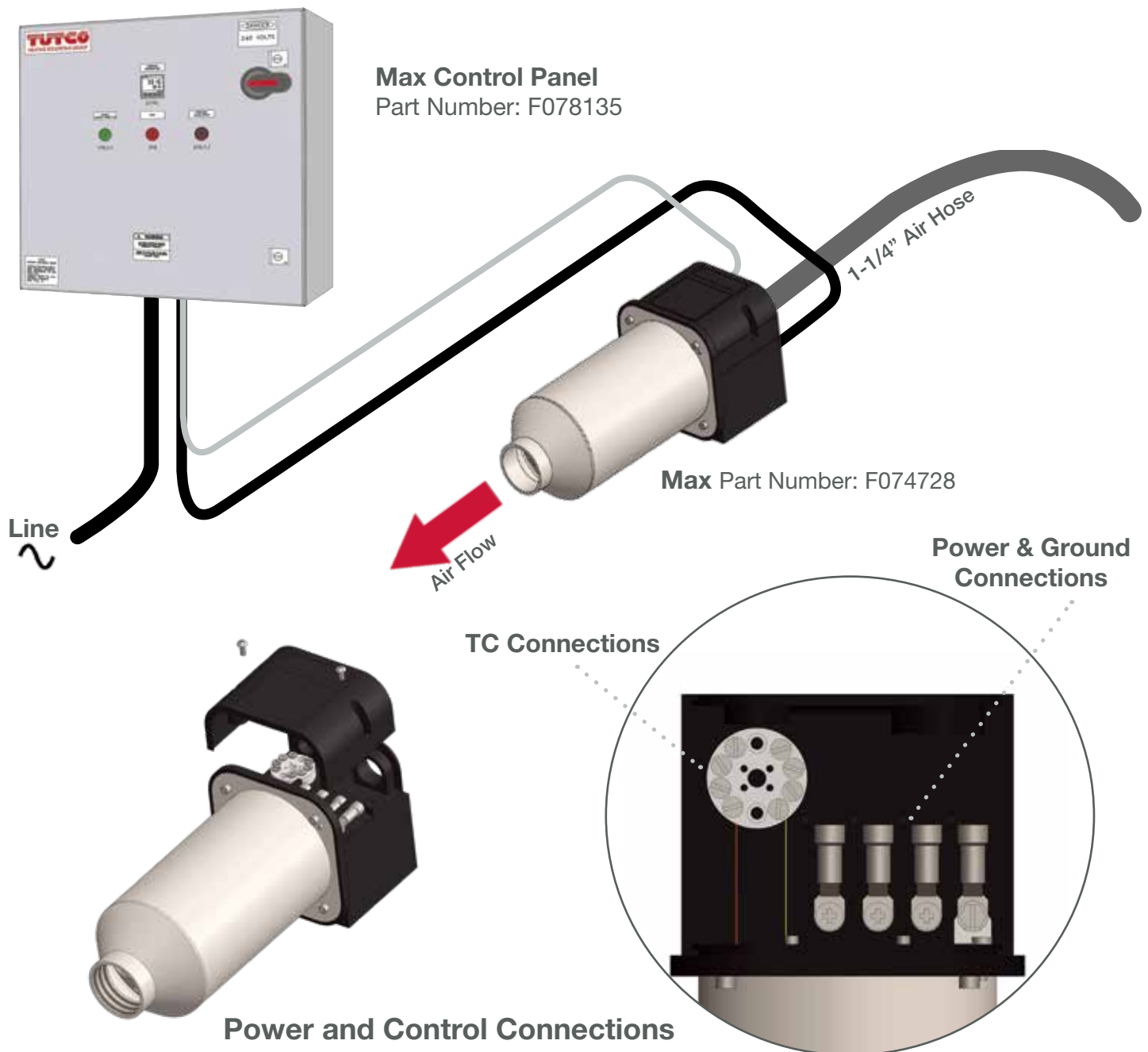


Max Air Heater

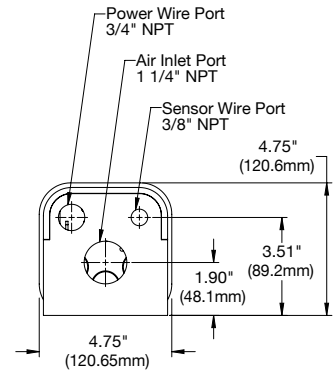
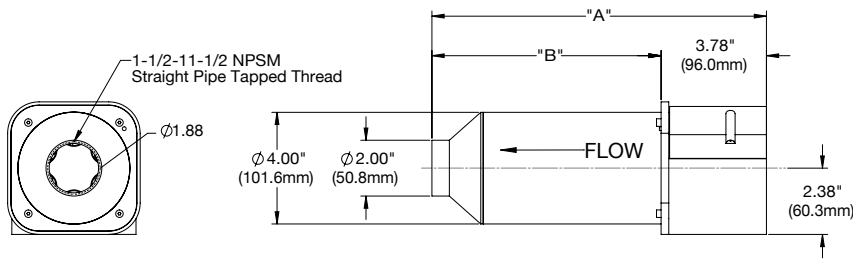
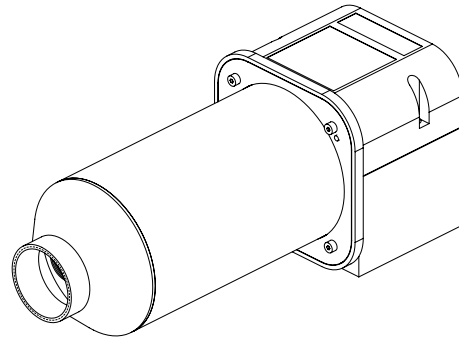
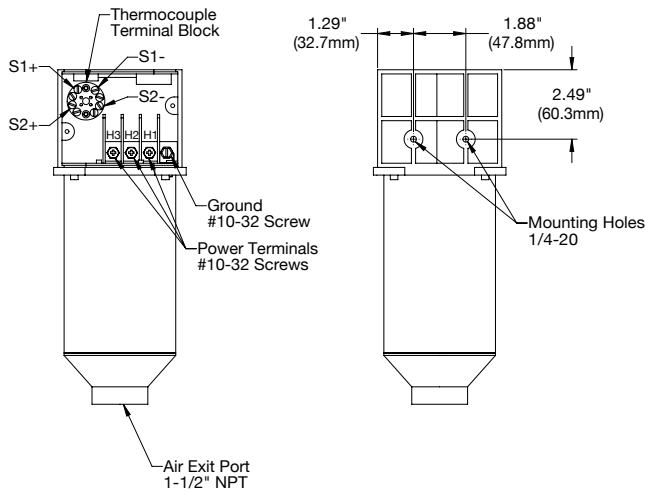
General Description

The Max provides a compact and efficient heater solution for air temperatures up to 1400°F (760°C). Available in a 6.0kW to 36.0kW, 240V/380V/480V 1 ϕ / 3 ϕ units, the Max offers two type “K” thermocouples with a convenient terminal block for easy wiring. To ensure safety, power and perfect control, connect with the optional Max Control Panel. Each heater has a convenient method for mounting the housing and offers a ground stud located at the inlet of the heater.

Closed-Loop Connection Diagram



Dimensions / Installation Reference

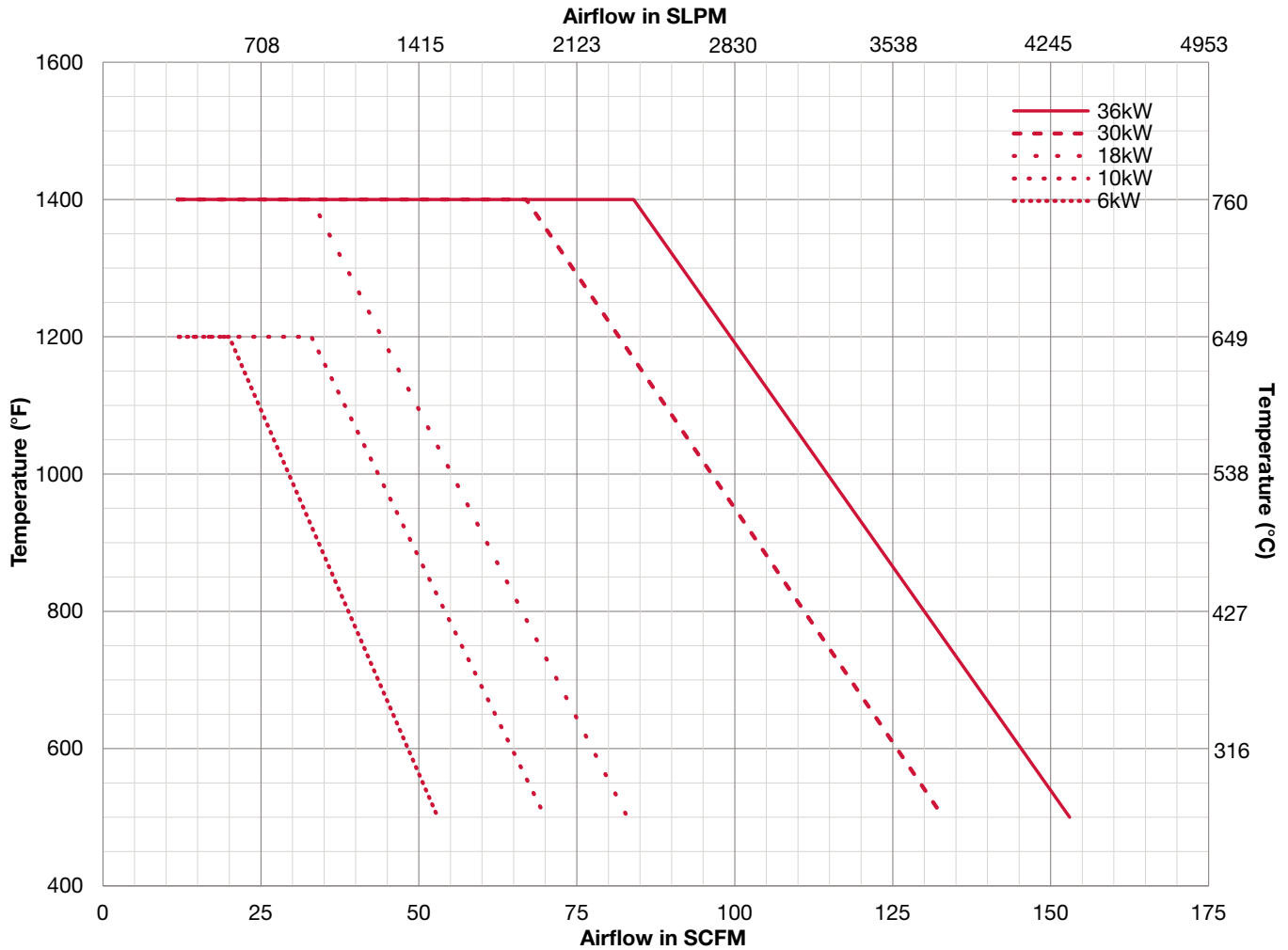


SureHeat® Max Products

Part Number	Power kW	Max. Volts / ϕ	Max. Amps	Dim "A" "(mm)	Dim "B" "(mm)
F074723	6.0	240 / 1	25	12 (304.8)	8.21 (208.53)
F074724	6.0	240 / 3	14.5	12 (304.8)	8.21 (208.53)
F074725	6.0	380 / 3	9.1	12 (304.8)	8.21 (208.53)
F074726	6.0	480 / 3	7.2	12 (304.8)	8.21 (208.53)
F074727	10.0	240 / 1	41.7	12 (304.8)	8.21 (208.53)
F074728	10.0	240 / 3	24.1	12 (304.8)	8.21 (208.53)
F074729	10.0	380 / 3	15.2	12 (304.8)	8.21 (208.53)
F074731	10.0	480 / 3	12.0	12 (304.8)	8.21 (208.53)
F074732	18.0	240 / 3	43.4	16 (406.4)	12.21 (310.2)
F074733	18.0	380 / 3	27.4	16 (406.4)	12.21 (310.2)
F074734	18.0	480 / 3	21.7	16 (406.4)	12.21 (310.2)
F074735	30.0	380 / 3	45.6	16 (406.4)	12.21 (310.2)
F074736	36.0	480 / 3	43.4	16 (406.4)	12.21 (310.2)

Max Performance Curve

MAX Maximum Performance



Notes:

- Temperatures are measured by internal “K” T/C sensors located inside the Max Housing
- Use of other sensor types and/or locations can result in heater damage
- Minimum airflow for accurate control is 12 SCFM
- Maximum air temperature up to 1400°F (760°C)
- Operating above temperature will void the warranty

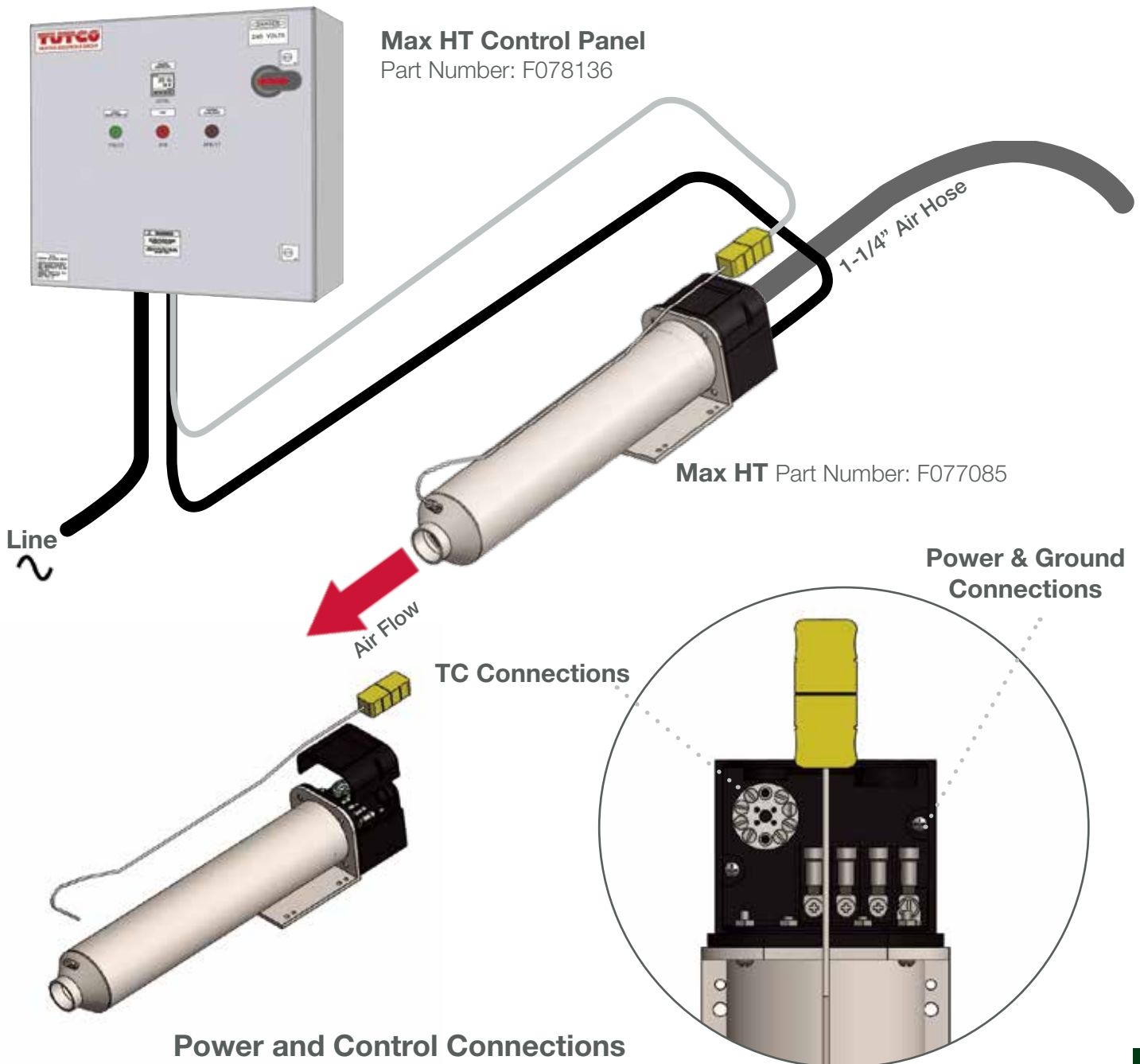


Max HT Air Heater

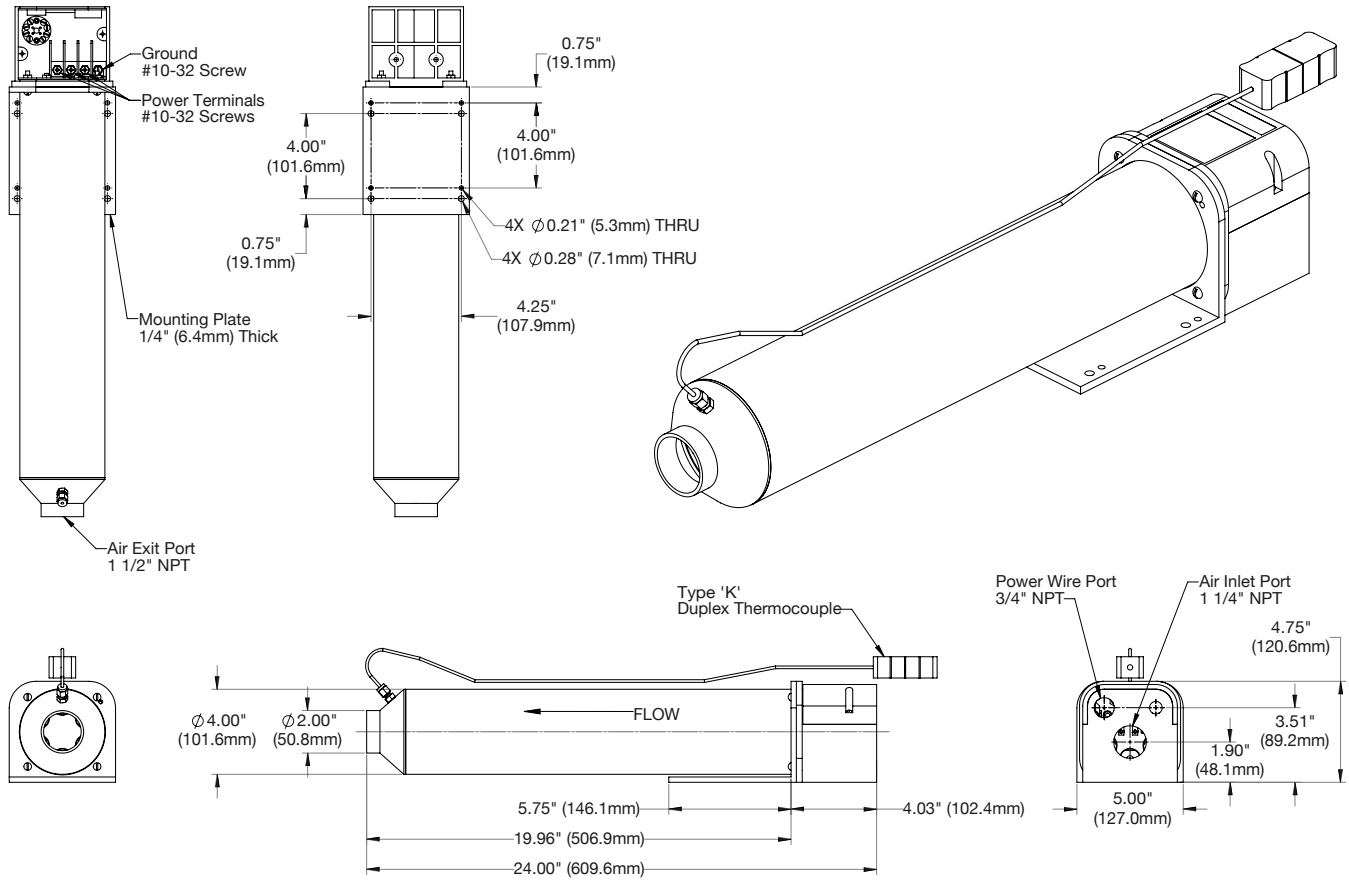
General Description

The Max HT provides a compact and efficient heater solution for high temperature applications up to 1652°F (900°C). A dual type “K” thermocouple with a convenient terminal block is included for ease of wiring. Each exposed thermocouple is used to measure inlet and exit air temperature. One is typically used for process temperature control and the other to monitor high temperature limit. Each heater has a convenient method for mounting the housing and offers a ground stud located at the inlet of the heater.

Closed-Loop Connection Diagram



Dimensions / Installation Reference



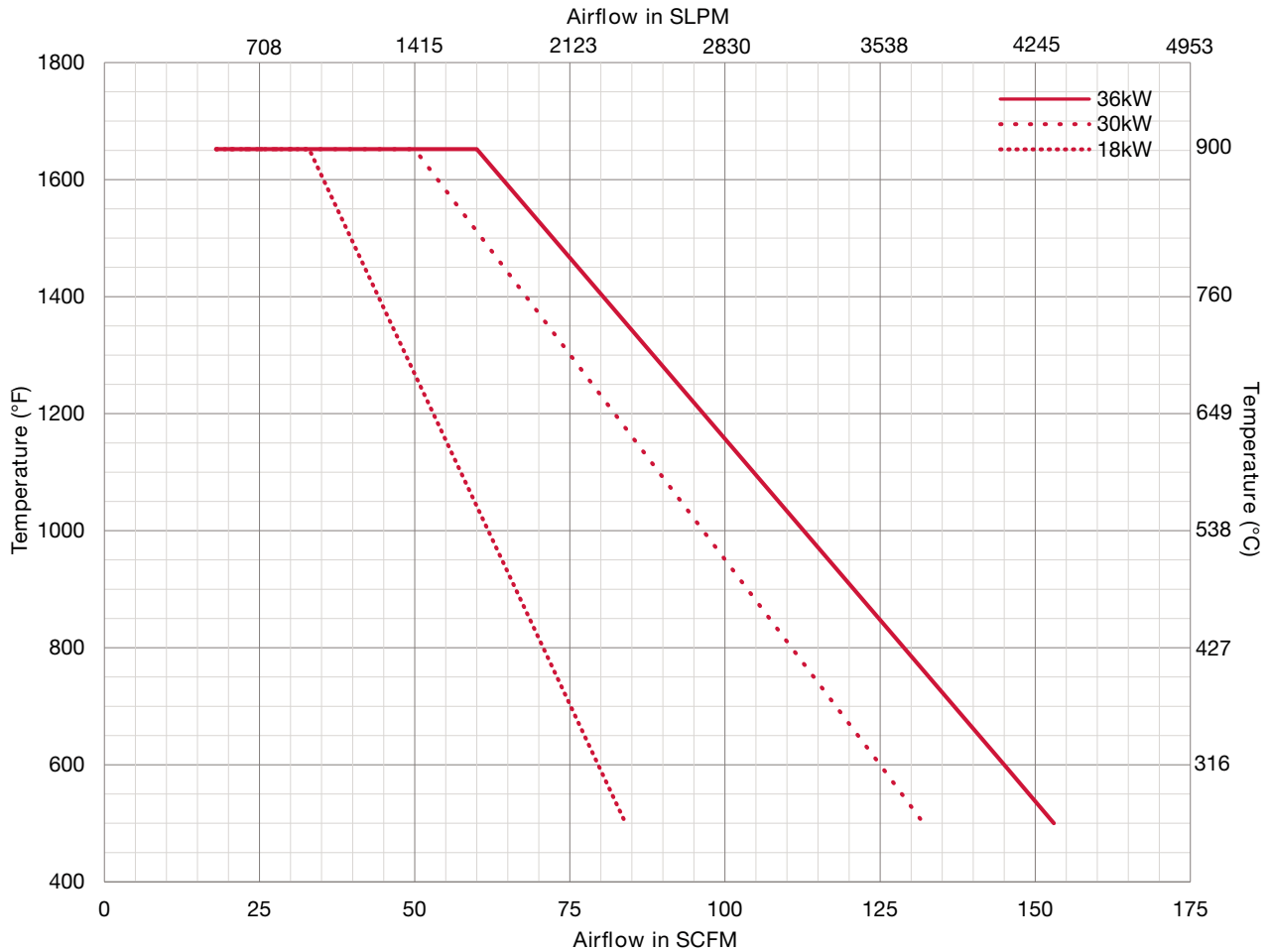
SureHeat® Max HT Products

Part Number	Power kW	Max. Volts / ϕ	Max. Amps	Replacement Element
F077081	18.0	240 / 3	43.4	F206707
F077082	18.0	380 / 3	27.4	F206662
F077083	18.0	480 / 3	21.7	F206663
F077084	30.0	380 / 3	45.6	F206664
F077085	36.0	480 / 3	43.4	F206598



SureHeat[®] Max HT Performance Curve

MAX-HT Maximum Performance



Notes:

- Temperature is measured by a dual “K” T/C sensor located inside the Max HT Housing
- Use of other sensor types and/or locations can result in heater damage
- Minimum airflow for accurate control is 18 SCFM
- Maximum air temperature is 1652°F (900°C)
- Operating above temperature will void the warranty

