

### KSI Series Single Phase AC Output

Output: AC Current Range: 25A-60A



Control Voltage  
A: 90-280VAC  
D: 4-32VDC

Switching Mode  
Blank: Zero Crossing  
R: Random-on

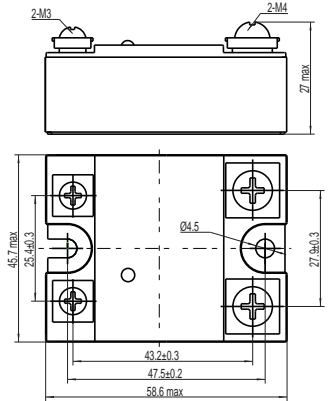
Protection Type  
Blank: Standard Type  
M: MOV  
T: TVS

**KSI 600 D 60 R -L M (XXX)**

Load Voltage  
240: 48-280VAC  
480: 48-530VAC  
600: 48-660VAC

Load Current  
25: 25A  
40: 40A  
60: 60A

L: LED  
Customized Code



CE, RoHS, UL, CCC, TUV  
**Note** 1. No TUV for TVS type  
 2. KSI240Dxxx Series Control Voltage Range: 3-32VDC or 4-32VDC (Optional)

### KSI(068) Series Single Phase AC Output

Output: AC Current Range: 25A-80A



Control Voltage  
A: 90-280VAC  
D: 4-32VDC

Switching Mode  
Blank: Zero Crossing  
R: Random-on

Protection Type  
Blank: Standard Type  
M: MOV  
T: TVS

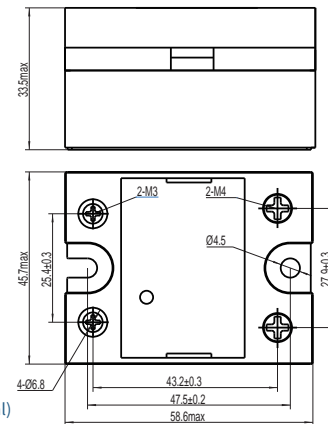
Customized Code

**KSI 240 D 25 R -L M (068) (XXX)**

Load Voltage  
240: 48-280VAC  
480: 48-530VAC  
600: 48-660VAC

Load Current  
25: 25A  
40: 40A  
60: 60A  
80: 80A

L: LED  
IP20 Cover



CE, RoHS, UL, CCC, TUV  
**Note** 1. No TUV for TVS type  
 2. KSI240Dxxx Series Control Voltage Range: 3-32VDC or 4-32VDC (Optional)

### KSI(083) Series Single Phase AC Output

Output: AC Current Range: 80A-125A



Control Voltage  
A: 90-280VAC  
D: 4-32VDC

Switching Mode  
Blank: Zero Crossing  
R: Random-on

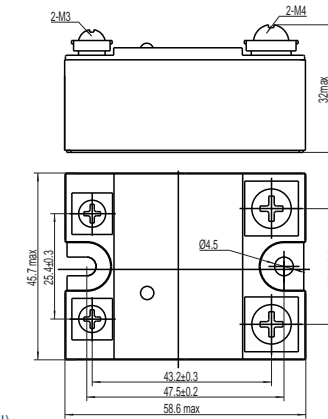
Protection Type  
Blank: Standard Type  
M: MOV  
T: TVS

**KSI 240 D 125 R -L M (083)**

Load Voltage  
240: 48-280VAC  
480: 48-530VAC  
600: 48-660VAC

Load Current  
80: 80A  
100: 100A  
125: 125A

L: LED  
083: Higher Profile



CE, RoHS, UL, CCC, TUV  
**Note** 1. No TUV for TVS type; No TUV for 100A or 125A  
 2. KSI240Dxxx Series Control Voltage Range: 3-32VDC or 4-32VDC (Optional)

### KSU Series Single Phase AC Output

Output: AC Current Range: 30A-75A



Control Voltage  
A: 90-280VAC  
D: 4-32VDC

Switching Mode  
Blank: Zero Crossing  
R: Random-on

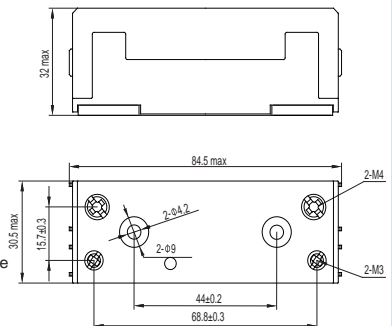
Protection Type  
Blank: Standard Type  
M: MOV  
T: TVS

**KSU 600 D 30 R -L M (XXX)**

Load Voltage  
600: 24-660VAC

Load Current  
30: 30A  
50: 50A  
75: 75A

L: LED  
Customized Code

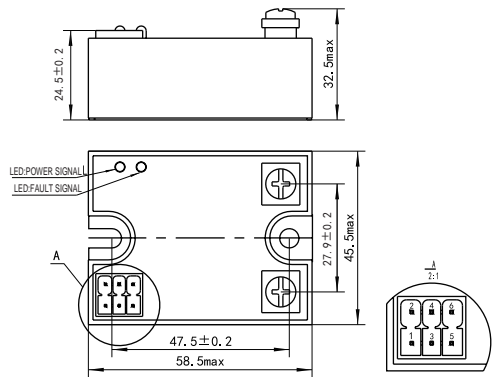
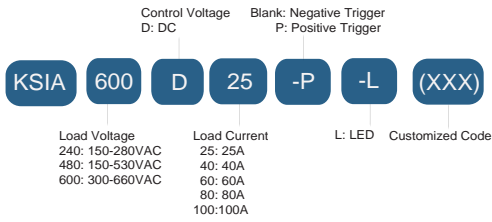


CE, RoHS, UL

### KSIA Series Single Phase AC Output

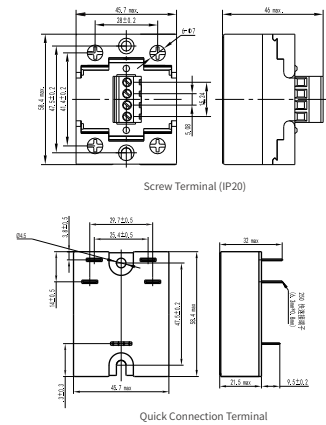
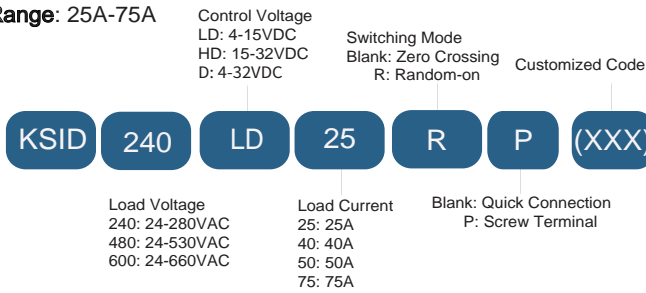
Output: AC Current Range: 25A-100A

Built in Function: SCR Short Circuit, Open Circuit and Error Self-Inspection



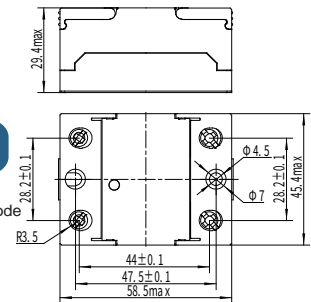
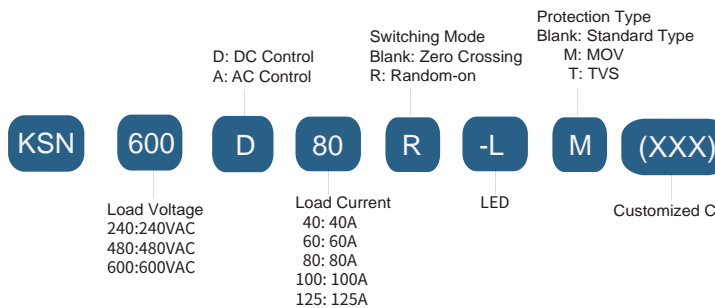
### KSID Series Dual Pole AC Output

Output: AC Current Range: 25A-75A



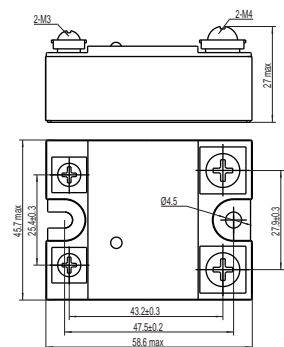
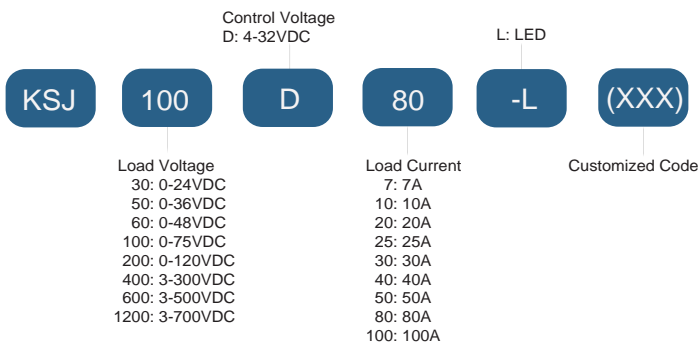
### KSN Series AC Output

Output: AC Current Range: 40A-125A



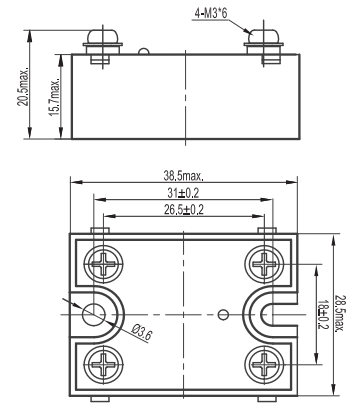
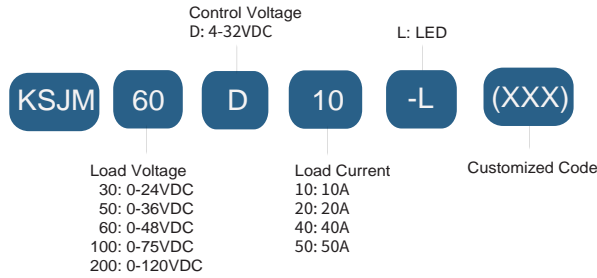
### KSJ Series Single Phase DC Output

Output: DC Current Range: 7A-100A



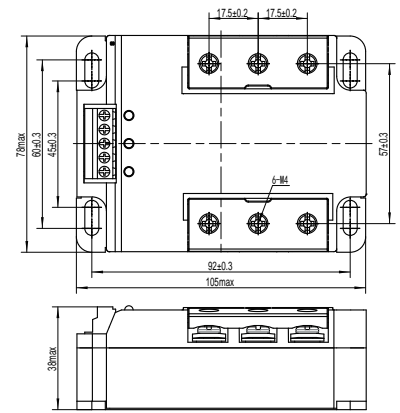
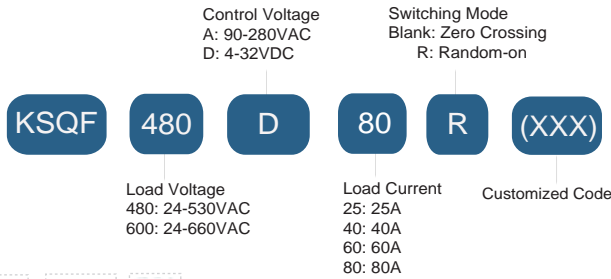
### KSJM Mini Single Phase DC Output

Output: DC Current Range: 10A-50A



### KSQF Series Three Phase AC Output

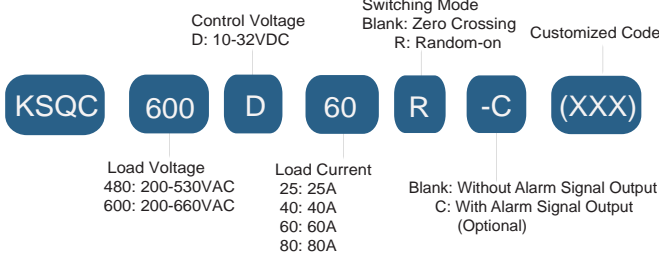
Output: AC Current Range: 25A-80A



### KSQC Series Three Phase AC Output

Output: AC Current Range: 25A-80A

Built in Function: Phase-loss Protection / Over Temperature Protection / SCR Fault Detection / Alarm Signal Output(optional)



Note Only C: With Alarm Signal Output have TUV and S-Mark certification

