

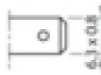
SP60 series | Illuminated double-pole switch dependent light 16A quick connection 6.3 black body



Wiring diagrams



Terminal type



Body colour



Actuator colour



Marking



Rating

Approvals

16 (6) A / 250 VAC



10 (4) A / 400 VAC



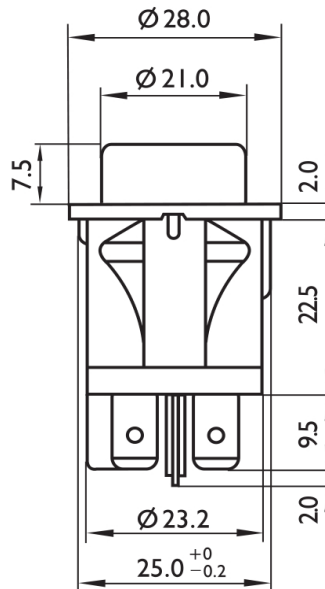
10 (4) A / 250 VAC - 5E4



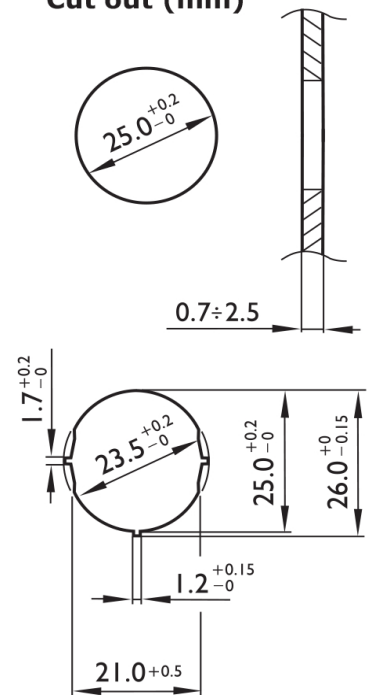
T120/55 °C



Dimensions (mm)



Cut out (mm)



Termination

