

FS-400 Series – General Purpose, 90° Flow Path

Flow Rate Settings: Fixed Version: 0.75 GPM to 10.0 GPM
Adjustable Version: 0.75 GPM to 14.0 GPM

Port Size: 3/4"

Primary Construction Material: Bronze

Setting Type: Fixed or Adjustable

Provides accurate flow detection in water and oil with 1% repeatability. Flow settings on the adjustable version can be easily changed without disassembly. A shuttle bypass vane inside the housing is controlled externally using an ordinary flat-blade screwdriver. These switches are ruggedly constructed of non-corrosive materials and resist shock and vibration. Suitable for triggering alarms on interlocking shutdown circuitry when flow rate is improper to protect bearings, gears and cooling systems.

Specification

| | |
|---|--|
| Wetted Materials | |
| Housing | Bronze |
| Shuttle | Delrin® |
| Spring | 316 Stainless Steel |
| O-Ring | Viton® |
| Other Wetted Parts | Ceramic |
| Pressure Rating, Maximum Operating | |
| Proof | 400 PSI (27.6 bar) @ 100°F (+37.8°C) |
| | 800 PSI (55.2 bar) @ 100°F (+37.8°C) |
| Operating Temperature | |
| | -20°F to +180°F (-29°C to +82.2°C) |
| Repeatability | |
| | 1% Maximum Deviation |
| Set Point Accuracy | |
| | ±10% |
| Set Point Differential | |
| | 15% Maximum |
| Switch* | |
| | SPDT, 20 VA |
| Inlet/Outlet Ports | |
| | 3/4" NPT |
| Electrical Termination | |
| | No. 18 AWG, 24" L., Polymeric Lead Wires |

* See "Electrical Data" on Page X-5 for more information.

How To Order – Standard Models

Specify Part Number based on flow settings for the FS-400 Series, based on flow setting range for the FS-400 Adjustable version.

FS-400 Series

| NPT | Flow Setting GPM | Part Numbers |
|------|------------------|--------------|
| 3/4" | 0.75 | 26440 ⚡ |
| | 1.5 | 26441 |
| | 2.0 | 26442 |
| | 2.5 | 26443 |
| | 5.0 | 26444 |
| | 7.5 | 26445 |
| | 10.0 | 26446 |

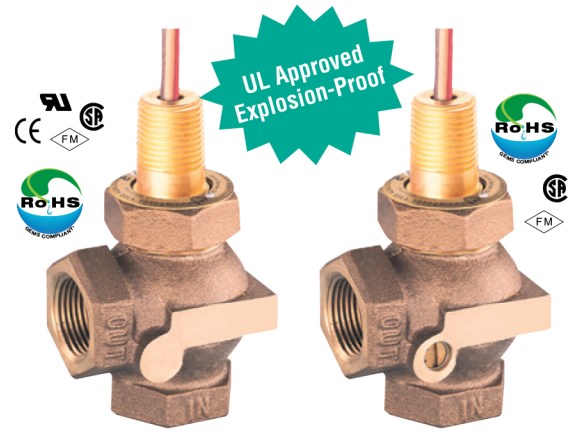
FS-400 Adjustable

| NPT | Flow Setting GPM | Part Numbers |
|------|------------------|--------------|
| 3/4" | 0.75-4.0 | 26600 ⚡ |
| | 2.0-8.0 | 26601 ⚡ |
| | 7.0-14.0 | 26602 |

Notes:

- Flow settings for Fixed Version are calibrated using water at +70°F on increasing flow, with units in a vertical position (lead wires up). Temperature changes will slightly affect the flow settings listed.
- Adjustable units that are set to customer specifications are subject to GEMS test stand accuracy.
- Use of 150 micron filtration is recommended.
- Minimum 5 PSI line pressure required.

⚡ – Stock Items.



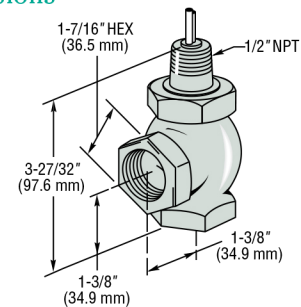
FS-400 Series

U.L. Recognized —
File No. E31926
CSA Listed —
LR30200 and LR22666
FM Approved —
File No. 0A8A3.AE and
1H3A2.AX

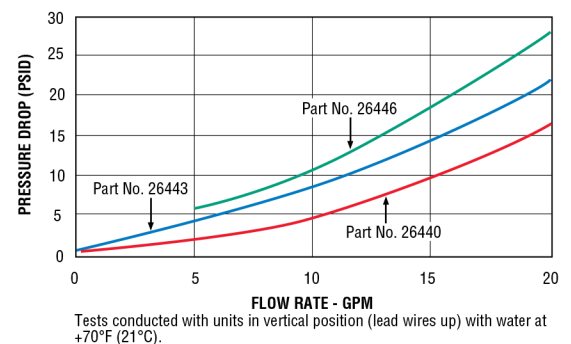
FS-400 Adjustable

CSA Listed —
File No. LR22666
FM Approved —
File No. 0A8A3.AE

Dimensions



Pressure Drop - Typical



FS-400 switches are U.L. Approved for Class I, Division 2, Groups A, B, C, D hazardous areas.

Available with FM-approved, explosion-proof junction box for Class I, Division 1, Group D hazardous locations. Units must be assembled completely at GEMS. U.L. Approved — File No. E183854