

FS-4 Series – Low Cost, Molded Plastic Construction

Flow Rate Settings: 0.1 GPM to 1.5 GPM

Port Size: 9/16"-18 UNF

Primary Construction Material: Ryton®

Setting Type: Fixed

The FS-4 Series makes flow protection economical for a broad range of industrial applications such as welders, lubrication systems, medical sterilizers and laundry chemicals dispensing.

Specifications

Wetted Materials	
Housing and Piston	Ryton® R4
Spring	316 Stainless Steel
O-Ring	Viton®
Other Wetted Parts	
	Epoxy
Operating Pressure, Maximum	250 PSIG (17.2 bar) @ 70°F (21°C)
Operating Temperature	0°F to 225°F (-17°C to +107°C)
Set Point Accuracy	±15% Maximum
Set Point Differential	20% Maximum
Switch*	SPST or SPDT, 20 VA (SPDT: 240 VAC Max.)
Inlet/Outlet Ports	9/16"-18 UNF-2B Thread
Recommended Filtration	50 Microns or Better
Electrical Termination	
SPST	18 AWG, Zipcord, 24" Long
SPDT	18 AWG, PVC 24" Long Leads

* See "Electrical Data" on Page X-5 for more information.

How To Order – Standard Models

Housing and Piston Material	Flow Setting GPM	Part Numbers		
		SPST Switch		With SPDT Switch
		N.O., No Flow	N.C., No Flow	
Ryton®	0.1	122340	122346	122352
	0.25	122341	122347	122353
	0.5	122342	122348	122354
	0.75	122343	122349	122355
	1.0	122344	122350	122356
	1.5	122345	122351	122357

Note:
Flow settings are calibrated using water @ +70°F on increasing flow, with units in a vertical position (lead wires up).

Port Adapters for FS-4

Converts 9/16" threaded ports to NPT or barbed connection. Made of Ryton®-R4 or polypropylene with O-Rings in place.

CAUTION: Do not exceed 15 in./lbs. maximum torque when installing adapter fittings.

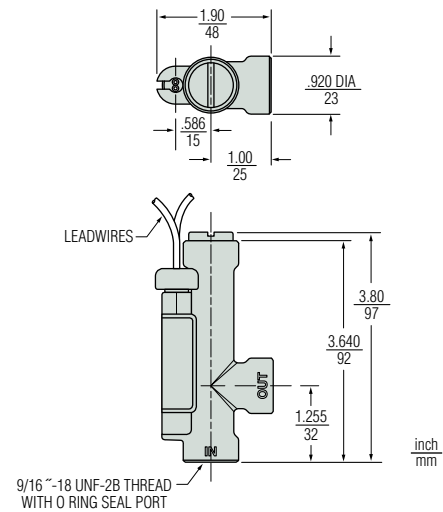
Material	Adapter Size	Part Numbers
Ryton®	1/8" NPT*	123028
	1/4" NPT*	123029
Polypropylene	1/4" NPT*	158602
	1/2" Barb**	158603

*Wrench flats provide for proper assembly.
** Accepts 1/2" I.D. flexible hose
– Stock Items.



U.L. Recognized —
File No. E31926
CSA Listed —
File No. LR30200

Dimensions



Pressure Drop – Typical

