



SPECIFICATIONS

CONTACT RATING: Dependent upon contact material See Page 37.

MECHANICAL LIFE: 30,000 make-and-break cycles.

CONTACT RESISTANCE: 20 mΩ max. initial @ 2-4VDC
100mA for both silver and gold plated contacts.

INSULATION RESISTANCE: 1,000 MΩ min.

DIELECTRIC STRENGTH: 1,000 Vrms min.@sea level.

OPERATING TEMPERATURE: -30°C to 85°C.

MATERIALS

CASE & BUSHING: Glass filled nylon 6/6,flame retardant,
heat stabilized (UL94v-0).

ACTUATOR: Brass,chrome plated,internal O-ring seal.
Standard for all actuators.

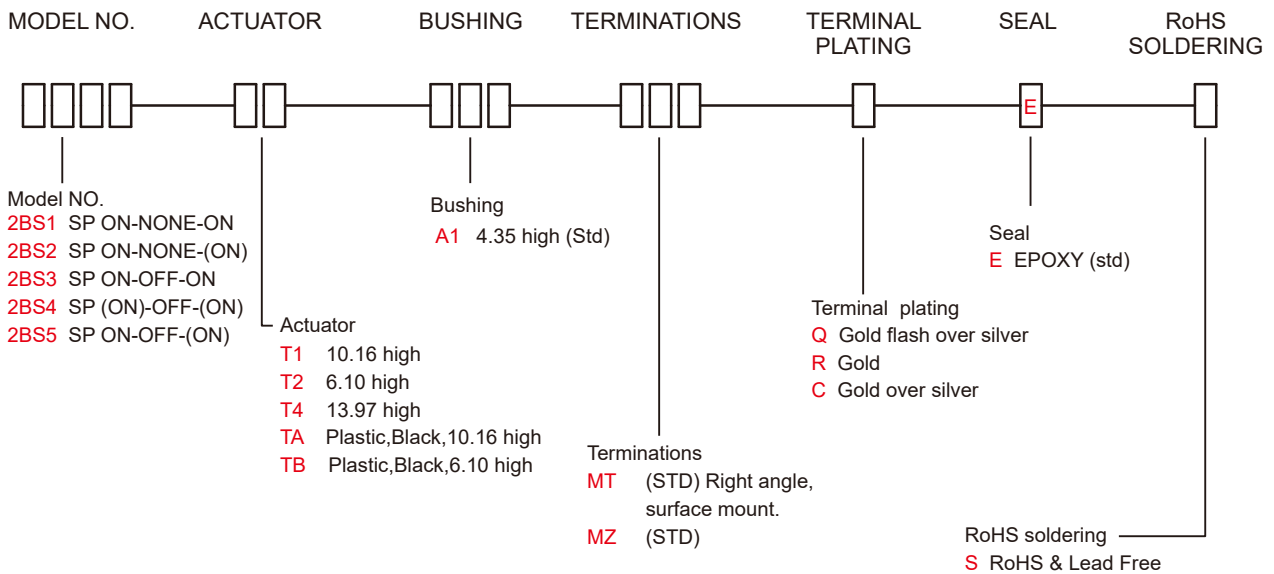
SWITCH SUPPORT: Brass,tin plated.

CONTACT / TERMINALS: Copper alloy,with Silver or gold plated.
(See Page 37)

IP 67
ACCORDING TO
EN 60529:1991+A1:2001
IEC 60529:2001



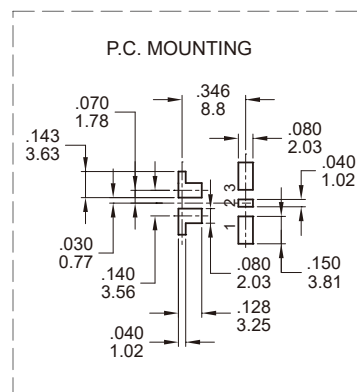
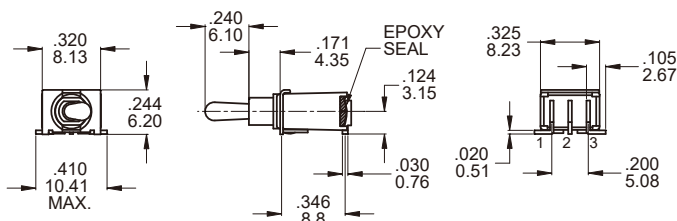
HOW TO ORDER



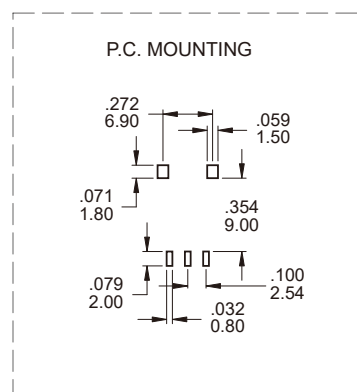
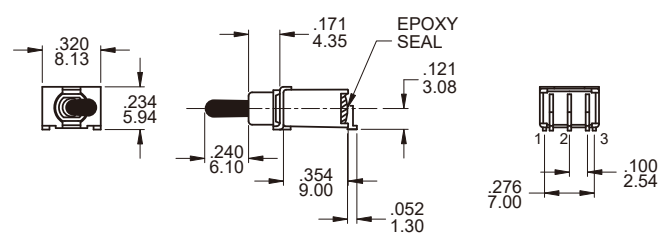
SWITCH FUNCTION

NO. POLES	UL/CSA MODEL NO.	MODEL NO.	SWITCH FUNCTION			CONNECTED TERMINALS / SCHEMATIC		
			POS.1	POS.2	POS.3	POS.1	POS.2	POS.3
SP	Q22B11	2BS1	ON	NONE	ON	2-3	N/A	2-1
	Q22B12	2BS2	ON	NONE	(ON)			
	Q22B13	2BS3	ON	OFF	ON			
	Q22B14	2BS4	(ON)	OFF	(ON)			
	Q22B15	2BS5	ON	OFF	(ON)			

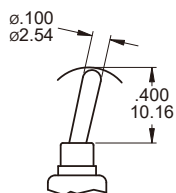
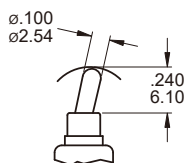
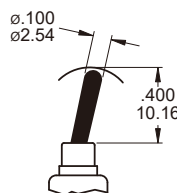
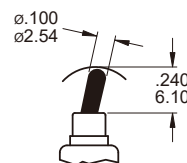
()=MOMENTARY

POLE OPTIONS
MT

SPDT

Part No. Shown : 2BS1T2A1MTRES

MZ

SPDT

Part No. Shown : 2BS1TBA1MZRES

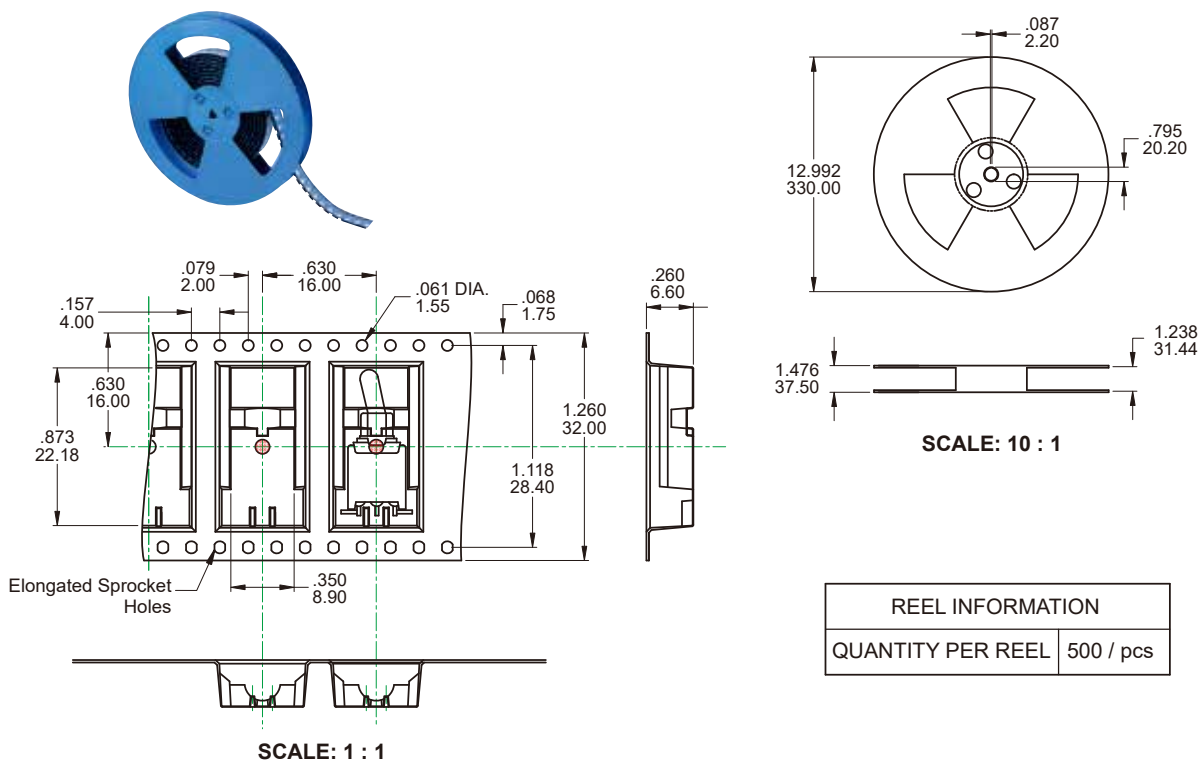
ACTUATOR OPTIONS
T1

T2

TA

TB


PLASTIC ACTUATOR

PACKAGING

Switches available on embossed antistatic tape and reels.

Tape and cover strip are conductive for use near statically sensitive components.



CONTACT MATERIAL OPTIONS

	CONTACT PLATING	TERMINAL PLATING	RATINGS
Q	Silver	Gold flash over silver	3 Amps with resistant load @ 120VAC or 28VDC
C	Gold over Silver	Gold over silver	1 Amps with resistant load @ 250VAC
R	Gold	Gold	0.4 Volt - Amps (VA) max. @ 20V max. (AC or DC)

SOLDERING PROCESSES

REFLOW SOLDERING:

Recommended Soldering Temperature: $260 \pm 5^\circ\text{C}$

Duration of Solder Immersion: Max 5 sec.

(PCB is 1.6mm in thickness)

SOLDERING: Vapor phase & IR-reflow soldering can be applied.

