

WEATHERPROOF ASSEMBLY FOR FENWAL INDUSTRIAL HEAT DETECTORS

FENWAL[™]
CONTROLS

An IP66-rated weatherproof assembly comprising a Fenwal rate-compensated heat detector (type 27121-0-xxx) mounted to a Hawke type PL612 junction box.

The junction box is robustly constructed of glass-reinforced, flame-retardant, glass-filled polyester. This has two spare M20 tapped plugged cable entries and is fitted with Klippon BK-6 six-way terminal block.

Suitable for industrial use, the heat detector contacts close at operating temperature.

Maximum possible detector setting for this assembly is 450°F.

This assembly is suitable for mounting in any plane (e.g. ceiling-mounting, wall mounting etc).

When ordering, select the required temperature setting from the selection chart below using ambient temperature plus 100°F as a guide.

SPECIFICATION

- Area classification : Non Hazardous
- Application : Weatherproof
- Detector fitted : 318-100 to 318-108
- Electrical rating : 2A @ 24VDC
- Contact action : Normally open (close on fire)
- Cable entry : 2 x M20
- Terminal block : Klippon BK6
- IP66 rated

DIMENSIONS

- Approx weight : 1200 grams
 - Width : 240mm
 - Length : 135mm
 - Height : 75mm
- Probe projects 115mm out of the junction box



TO TALK TO OUR EXPERT TEAM,
CALL +44 (0)1483 869 070 OR
EMAIL SALES@HAWCO.CO.UK

hawco^o

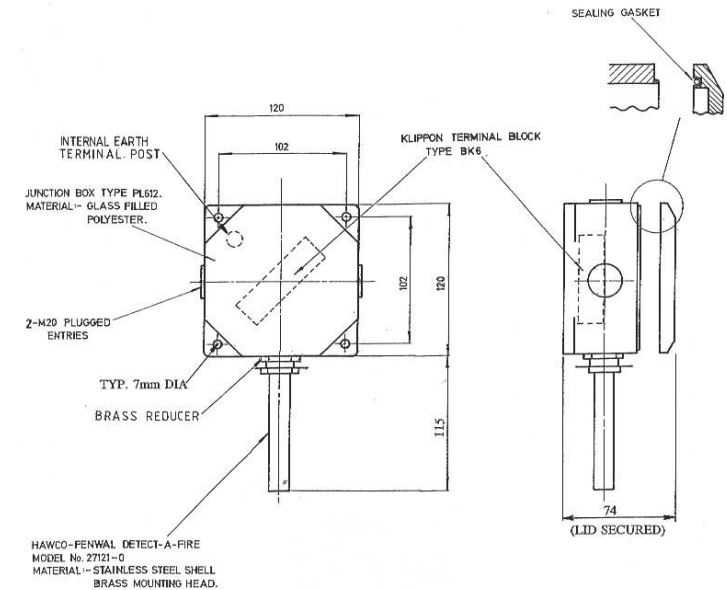
WEATHERPROOF ASSEMBLY FOR FENWAL INDUSTRIAL HEAT DETECTORS



Temperature setting selection chart

Use ambient temperature plus 100°F as a guide.

SET POINT	HAWCO PART NO	MODEL NUMBER	TOLERANCE	COLOUR CODE
140°F (60°C)	800-336-051	LWB-140 (60 DEG C)	+7/-8	BLACK
160°F (71°C)	800-336-046	LWB-160 (71 DEG C)	+7/-8	BLACK
190°F (88°C)	800-336-053	LWB-190 (88 DEG C)	+7/-8	WHITE
210°F (99°C)	800-336-055	LWB-210 (99 DEG C)	+7/-8	WHITE
225°F (107°C)	800-336-050	LWB-225 (107 DEG C)	+7/-8	WHITE
275°F (135°C)	800-336-044	LWB-275 (135 DEG C)	±10	BLUE
325°F (163°C)	800-336-057	LWB-325 (163 DEG C)	±10	RED
360°F (183°C)	800-336-056	LWB-360 (183 DEG C)	±10	RED
450°F (232°C)	800-336-059	LWB-450 (232 DEG C)	±15	GREEN



TO TALK TO OUR EXPERT TEAM,
CALL +44 (0)1483 869 070 OR
EMAIL SALES@HAWCO.CO.UK

hawco^o