

# MAT3

Utility pressure gauge



### Product highlights

- For non-corrosive gasses and liquids
- Class 2.5 according to EN 837-1
- Wetted parts: Brass
- OEM applications

### Technical data

#### Housing

Nominal size	63 mm
Case material	Black painted, steel
Bezel ring material	Black painted, steel
Window material	Instrument glass
Protection rating (EN 60529)	IP32
Dial	White, aluminium
Pointer	Black, aluminium
Movement material	Brass

#### Temperature

Media temperature	-20°C ... +60°C
-------------------	-----------------

#### Wetted parts

Process connection material	Brass
-----------------------------	-------

#### Wetted parts

Bourdon tube	Copper alloy
--------------	--------------

#### Performance

Accuracy according to Class 2.5  
EN 837-1

Min. measuring range 0 ... 1 bar

Max. measuring range 0 ... 250 bar

Type of pressure

- Gauge
- Vacuum

Pressure limitation

- Steady: 75 % of full scale value
- Fluctuating: 60 % of full scale value
- Short time: 100 % of full scale value

Temperature coefficient at +20°C

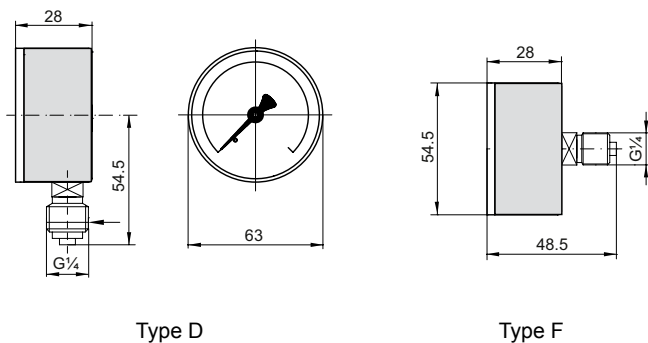
± 0.4 % FS/10K

#### Weight

Gauge

- 120 g for type D
- 131 g for type F

### Technical drawings



Type D

Type F

## Ordering reference

### Order key

<b>Product</b> MAT Utility pressure gauge	MAT	3	-	D	2	0	.	Bxx
<b>Dimension</b> Nominal size 63 mm		3						
<b>Case</b> Bottom connection				D				
Back connection				F				
<b>Process connection</b> G 1/4					2			
<b>Damping fluid</b> Without damping fluid						0		
<b>Measuring range</b> bar (EN)								Bxx

### Pressure ranges

Code	Bar
B59	-1 ... 0
B15	0 ... 1
B16	0 ... 1.6
B18	0 ... 2.5
B19	0 ... 4
B20	0 ... 6
B22	0 ... 10
B24	0 ... 16
B26	0 ... 25
B27	0 ... 40
B29	0 ... 60
B31	0 ... 100
B33	0 ... 160
B35	0 ... 250

### Ordering example

<b>Product</b> MAT Utility pressure gauge	MAT	3	-	D	2	0	.	B22	/
<b>Dimension</b> Nominal size 63 mm									
<b>Case</b> Bottom connection									
<b>Process connection</b> G 1/4									
<b>Damping fluid</b> Without damping fluid									
<b>Measuring range</b> 0...10 bar (EN)									