



Main Features

- Conical immersion tube
- Class 1 according to EN 13190
- Immersion tube brass
- Installed length 62 mm

Applications

- Water & Waste water
- Energy
- Machinery
- HVAC

Technical Data

| | | | |
|-------------------|--|--------------------------|------------------|
| Nominal size | 80, 100, 160 mm | Window | Instrument glass |
| Temperature range | -20 ... 250°C | Dial | Aluminium, white |
| Accuracy | Class 1 (according to EN 13190) | Pointer | Aluminium, black |
| Protection rating | TBX: IP 50 (EN 60529) TBW: IP 65 (EN 60529) | Minimum immersion length | $L_E \geq 36$ mm |
| Immersion tube | Brass | | |
| Case | Stainless steel 1.4301 (AISI 304) | | |
| Bezel ring | Stainless steel 1.4301 (AISI 304) | | |

Options

| | |
|---|-----------|
| Dampening grease | Code 0581 |
| Acrylic window (PMMA or Plexiglass) ⁽¹⁾ ⁽²⁾ | Code 0752 |
| Silicon free, label marking | Code 0793 |
| Silicon free, marking on dial | Code 0794 |
| Red mark | Code 9700 |
| Green mark | Code 9701 |
| According to customer data | Code 9709 |
| Customer logo on dial | Code 9710 |
| Specific technical data on dial | Code 9711 |

To be ordered separately

| | |
|------------------------------------|----------|
| Calibration certificate (3 points) | 90001188 |
|------------------------------------|----------|

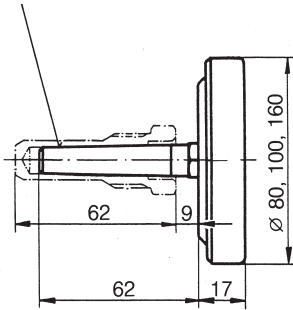
⁽¹⁾ The case must not be constantly heated over 75°C.

⁽²⁾ Only NS 80 and NS 100.

Dimensions (mm)

TBX (center back)

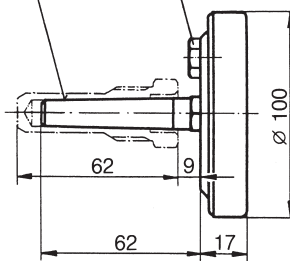
Morse cone 1
(see VSM 33 713)



TBW (center back)

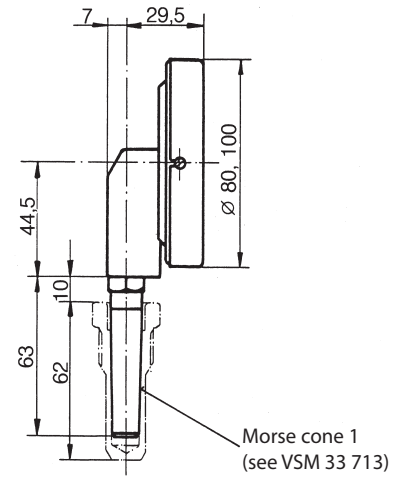
Morse cone 1
(see VSM 33 713)

Correcting device



Only TBW 100/212.111

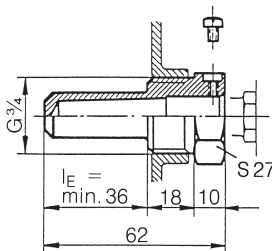
TBX (bottom)



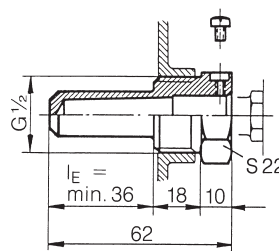
| NS | Weight (kg) | |
|-----|-------------|-------------|
| | Bottom | Center back |
| 80 | 0.250 | 0.160 |
| 100 | 0.300 | 0.200 |
| 160 | - | 0.430 |

Thermowells

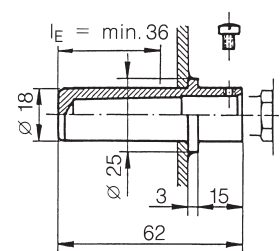
G 3/4



G 1/2



Welding



| Ordering codes for Thermowells | | | |
|--------------------------------|------------------------------------|---------------|-------------|
| Connection | Material | Ordering code | Weight (kg) |
| G 3/4 | Brass | T 06696.0001 | 0.110 |
| G 3/4 | Stainless steel 1.4435 (AISI 316L) | T 06696.0005 | 0.110 |
| G 1/2 | Brass | T 06697.0001 | 0.080 |
| G 1/2 | Stainless steel 1.4435 (AISI 316L) | T 06697.0005 | 0.080 |
| welded | Steel, black finish | T 06698.0001 | 0.080 |
| welded | Stainless steel 1.4435 (AISI 316L) | T 06698.0002 | 0.080 |

| Technical Data | | | |
|----------------|---------------------|-------|-----------|
| Max. Temp. °C | Max. Pressure (bar) | | |
| | Brass | Steel | St. Steel |
| 100 | 64 | 125 | 250 |
| 250 | 25 | 80 | 160 |

Temperature ranges

| Code | Range °C |
|------|------------|
| 52T | -20 ... 40 |
| 11T | 0 ... 60 |
| 20T | 0 ... 120 |
| 13T | 0 ... 160 |
| 14T | 0 ... 250 |

Ordering details TBX - TBW

| | TBX | | | - | 2 | | . | 1 | | . | xxx | / |
|--|-----|---|---|---|---|---|---|---|---|---|-----|-----|
| Model | | | | | | | | | | | | |
| Bimetal Thermometer, conical (IP 50) | TBX | | | | | | | | | | | |
| Bimetal Thermometer, conical (IP 65) ⁽¹⁾ | TBW | | | | | | | | | | | |
| Nominal size | | | | | | | | | | | | |
| 80 mm ⁽²⁾ | | 0 | 8 | 0 | | | | | | | | |
| 100 mm | | 1 | 0 | 0 | | | | | | | | |
| 160 mm ⁽²⁾ | | 1 | 6 | 0 | | | | | | | | |
| Case | | | | | | | | | | | | |
| Stainless steel 1.4301 (AISI 304) | | | | | 2 | | | | | | | |
| Connection | | | | | | | | | | | | |
| Without connection (direct mounting) | | | | | | 1 | | | | | | |
| Immersion tube outlet | | | | | | | | | | | | |
| Bottom (only for NS 80 and NS 100) | | | | | | | | 1 | | | | |
| Center back | | | | | | | | | 2 | | | |
| Indication | | | | | | | | | | | | |
| EN 13190 (Standard) | | | | | | | | | 1 | | | |
| Immersion tube / shape / material | | | | | | | | | | | | |
| Morse cone 1, L = 62 mm, Cu-Leg. | | | | | | | | | | 1 | 1 | |
| Unit of measurement / Temperature ranges ⁽³⁾ | | | | | | | | | | | | xxT |
| °C | | | | | | | | | | | | |

Options to be added behind the / (see example below)

⁽¹⁾ The watertight design TBW can be supplied only with case NS 100 and the immersion tube outlet at the rear and exterior indicator correction.

⁽²⁾ Only TBX.

⁽³⁾ Available standard temperature ranges, see table on page 2. For ranges not listed, please contact Baumer.

Ordering example with options

| | TBX | 100 | - | 2 | 1 | 2 | . | 1 | 11 | . | 20T | / | 9710 | - | 9700 | - | 0793 |
|---|-----|-----|---|---|---|---|---|---|----|---|-----|---|------|---|------|---|------|
| Bimetal thermometer, conical (IP 50) | ← | | | | | | | | | | | | | | | | |
| Nominal size 100 mm | ← | | | | | | | | | | | | | | | | |
| Case material stainless steel 1.4301 (AISI 304) | ← | | | | | | | | | | | | | | | | |
| Without connection (direct mounting) | ← | | | | | | | | | | | | | | | | |
| Immersion tube outlet: Center back | ← | | | | | | | | | | | | | | | | |
| Indication EN 13190 (standard) | ← | | | | | | | | | | | | | | | | |
| Immersion tube Morse cone 1, L = 62 mm, Cu-Leg. | ← | | | | | | | | | | | | | | | | |
| Temperature range: 0 ... 120°C | ← | | | | | | | | | | | | | | | | |
| Option: Customer logo on dial | ← | | | | | | | | | | | | | | | | |
| Option: Red mark | ← | | | | | | | | | | | | | | | | |
| Option: Silicon free, label marking | ← | | | | | | | | | | | | | | | | |