



Small & Thin
Drip-proof Type Automatic Reset
PCB on board Type

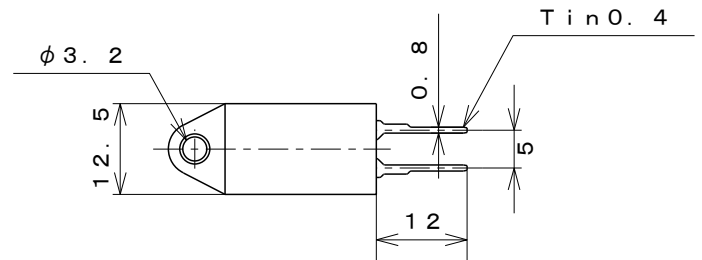
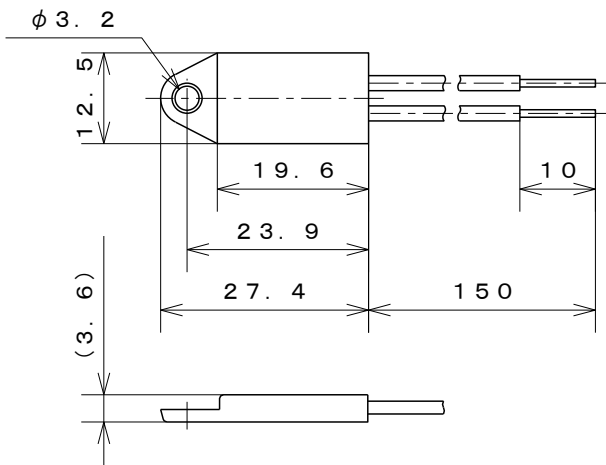
Type **SS1**

Dimensions

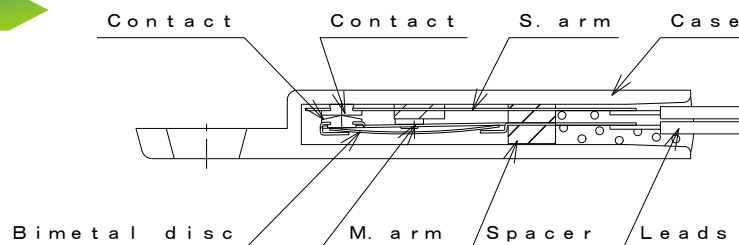
SS1U

SS1U/B

(PCB on board type)



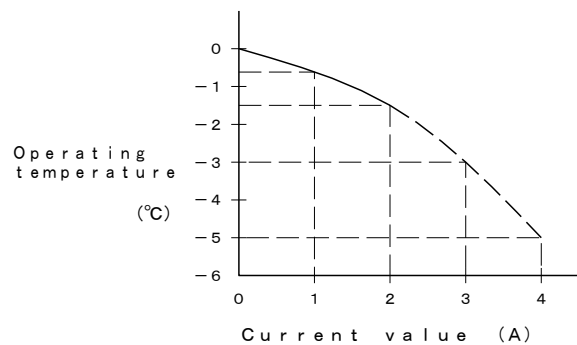
Structure



Materials of parts

Part	Material
Case	Polybutylene terephthalate
M. arm	Beryllium copper
Contacts	Silver-Nickel alloy
Leads	PVC 0.3mm ²
Terminals	Tin plated brass

Drift of operating temperature by current value when contact close



Specification

★Compliance with RoHS Directives

Item	Specification
1. Basic features	SPST Automatic reset
2. Operation	L : Contacts open on temperature rise F : Contacts close on temperature rise
3. Electrical rating	AC250V/3A
4. Calibration method	Hot & cold air circulation system
5. Temperature rating	Operating temperature Max. 105°C Differential: 8~15°C
6. Insulation resistance	1,000MΩ or more / DC500V
7. Dielectric strength	AC1,500V/1min. or AC1,800V/1sec.

Standard

UL 60730-1A, -2-9 File No. E201152 C-UR(CAN/CSA-E60730-1, -2-9)

