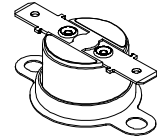


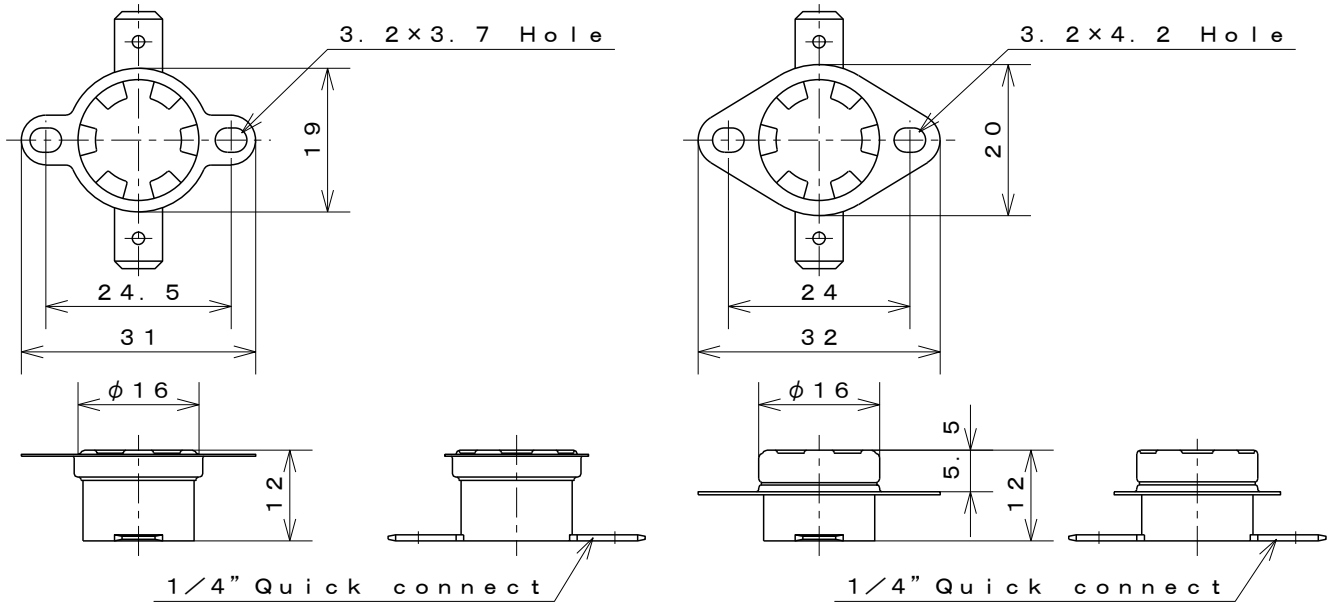


1/2" Disc Type Thermostat Automatic Reset

Type **03EN**



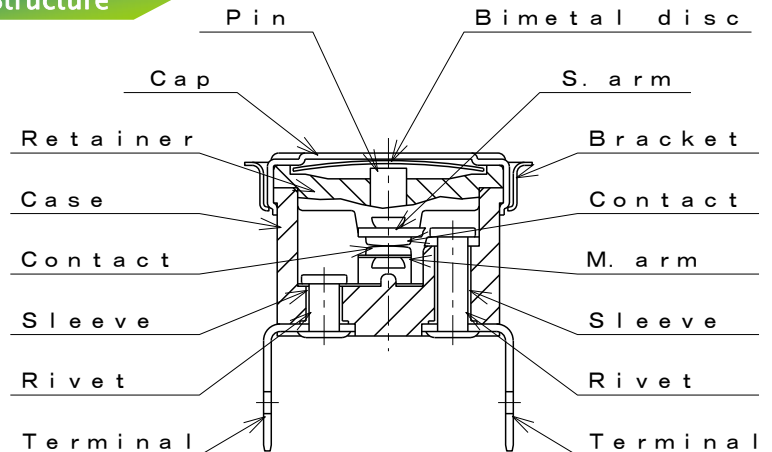
Dimensions



Materials of parts

Part	Material
Cap	Aluminum Copper Stainless steel
Case	Phenolic resin
M.arm	Beryllium Copper alloy
Terminals	Brass
Bracket	Stainless steel
Contacts	Silver-Nickel alloy

Structure



Specification

Item	Specification
1. Basic features	SPST Automatic reset
2. Operation	A : Contacts open on temperature rise B : Contacts close on temperature rise
3. Electrical rating	UL : AC120V/15A AC240V/10A CSA : AC125V/15A AC250V/8A VDE : AC250V/16A
4. Calibration method	Hot & cold air circulation system
5. Temperature rating	Operating temperature Max. 150°C
6. Insulation resistance	Not less than 1,000MΩ/DC500V
7. Dielectric strength	Not less than AC1,500V/1min. or AC1,800V/1sec.

Standard

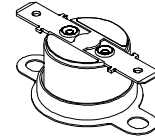
UL 873	UL File	No. E43273
CSA C22.2 No. 24	CSA Report	No. LR67165
DIN EN 60730-1, -2-9	VDE Licence	No. 40004992



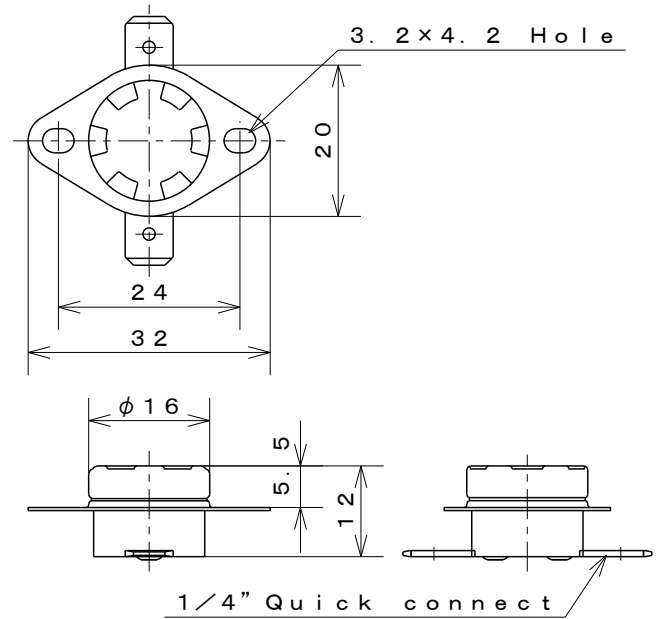
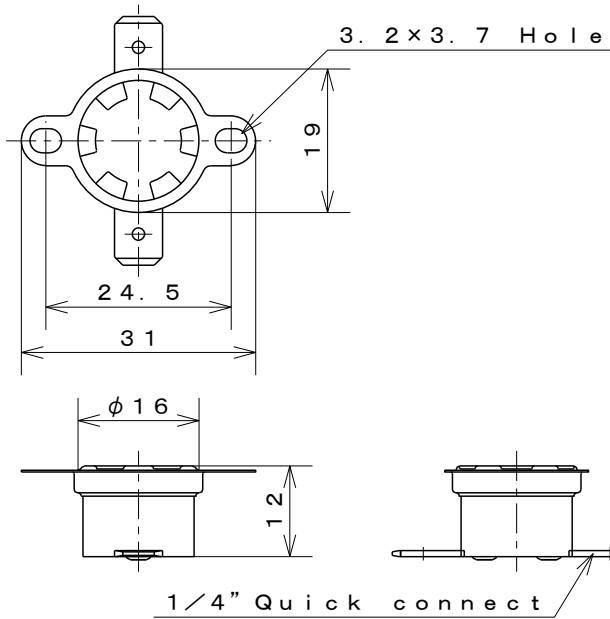


1/2" Disc Type Thermostat
Automatic Reset

Type **03EP**



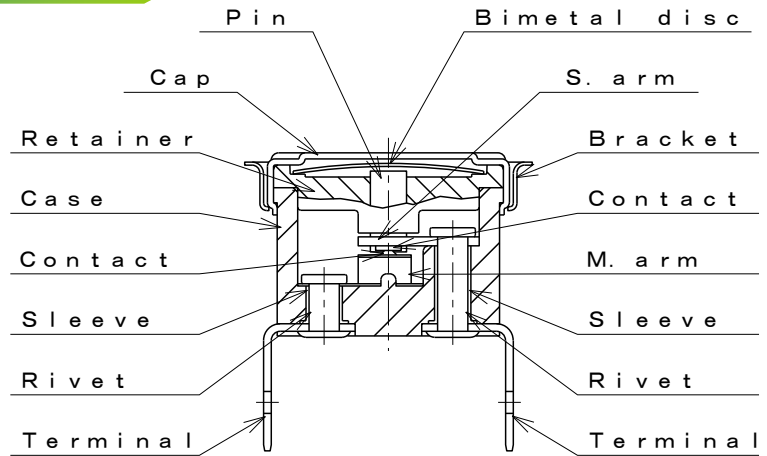
Dimensions



Materials of parts

Part	Material
Cap	Aluminum Copper Stainless steel
Case	Phenolic resin
M.arm	Beryllium Copper alloy
Terminals	Brass
Bracket	Stainless steel
Contacts	PGS-Crossbar

Structure



Specification

Item	Specification
1. Basic features	SPST Automatic reset
2. Operation	A : Contacts open on temperature rise B : Contacts close on temperature rise
3. Electrical rating	AC250V/0.2A DC42V/0.2A
4. Calibration method	Hot & cold air circulation system
5. Temperature rating	Operating temperature Max. 150°C
6. Insulation resistance	Not less than 1,000MΩ/DC500V
7. Dielectric strength	Not less than AC1,500V/1min. or AC1,800V/1sec.

Standard

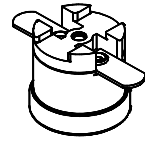
UL 873	UL File	No. E43273
CSA C22.2 No. 24	CSA Report	No. LR67165
DIN EN 60730-1, -2-9	VDE Licence	No. 40004992



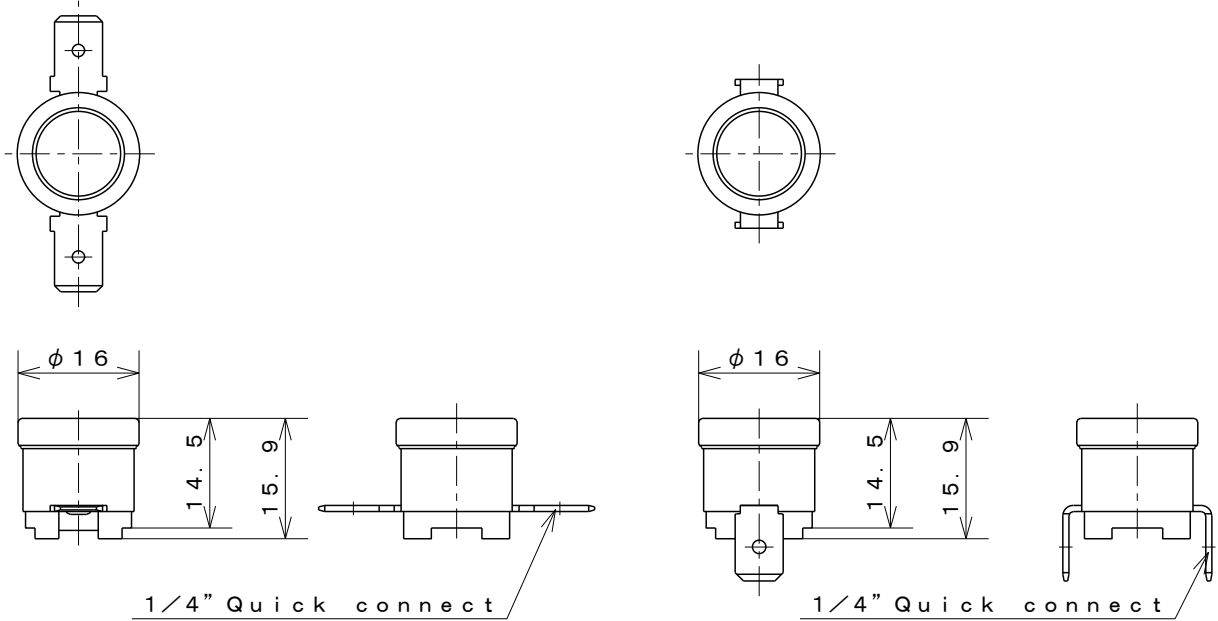


1/2" Disc Type Thermostat
High Temp.& Four Legs Type

Type **07N**



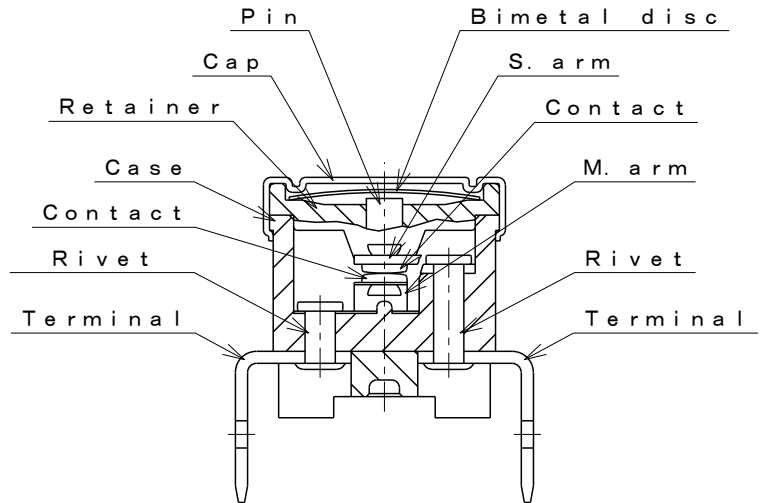
Dimensions



Materials of parts

Part	Material
Cap	Aluminum
	Copper
	Stainless steel
Case	Ceramic
M.arm	Beryllium Copper alloy
Terminals	Brass, Steel
Contacts	Silver-Nickel alloy

Structure



Specification

Item	Specification
1. Basic features	SPST Automatic reset
2. Operation	A : Contacts open on temperature rise B : Contacts close on temperature rise
3. Electrical rating	VDE : AC250V/10A 100,000 Cycles AC250V/13A 30,000 Cycles AC250V/16A 10,000 Cycles
	UL-CSA : AC125V/15A, AC250V/10A 100,000 Cycles
4. Calibration method	Hot & cold air circulation system
5. Temperature rating	Operating temperature Max. 230°C
6. Insulation resistance	Not less than 1,000MΩ/DC500V
7. Dielectric strength	Not less than AC1,500V/1min. or AC1,800V/1sec.

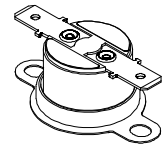
Standard

UL873 CSA C22.2 No.24(C-UR) UL File No. E43273
DIN EN 60730-1, -2-9 VDE Licence No. 40004992

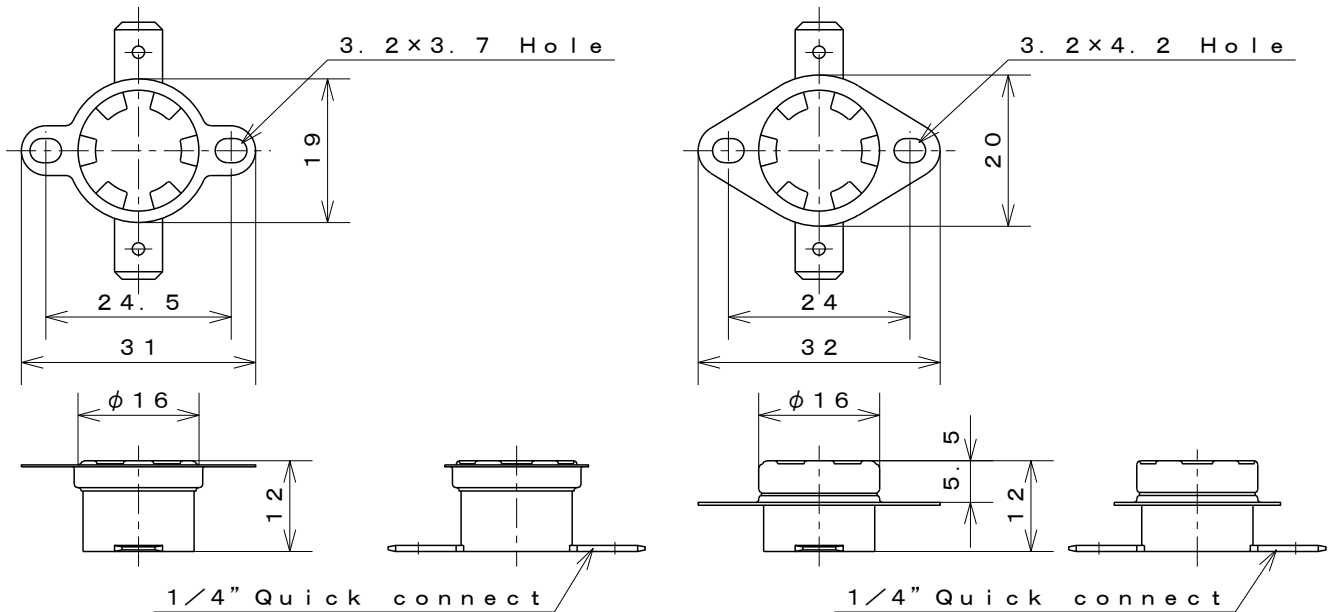


1/2" Disc Type Thermostat Automatic Reset

Type 21EN



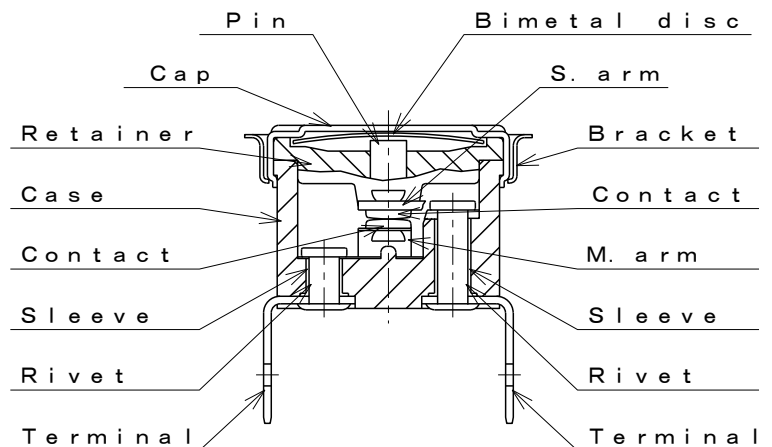
Dimensions



Materials of parts

Part	Material
Cap	Aluminum
	Copper
	Stainless steel
Case	Polyester resin
M.arm	Beryllium Copper alloy
Terminals	Brass
Bracket	Stainless steel
Contacts	Silver-Nickel alloy

Structure



Specification

Item	Specification
1. Basic features	SPST Automatic reset
2. Operation	A : Contacts open on temperature rise B : Contacts close on temperature rise
3. Electrical rating	AC250V/16A 10,000 cycles VDE:AC250V/10A 100,000 cycles
4. Calibration method	Hot & cold air circulation system
5. Temperature rating	Operating temperature Max. 180°C
6. Insulation resistance	1,000MΩ or more / DC500V
7. Dielectric strength	AC1,500V/1min. or AC1,800V/1sec.

Standard

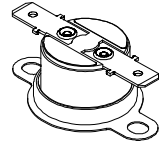
UL 873, CSA C22.2(C-UR) UL File No. E43273
 DIN EN 60730-1, -2-9 VDE Licence No. 40004992
 MITI (JET) J-147



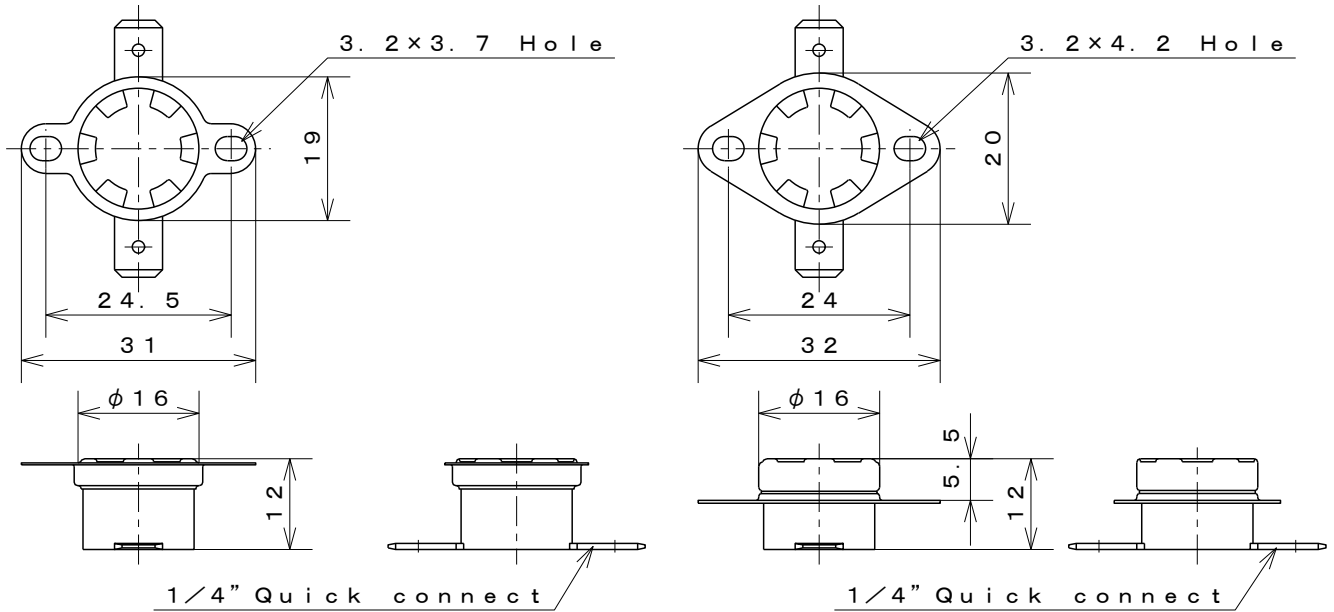


1/2" Disc Type Thermostat Automatic Reset

Type 21EP



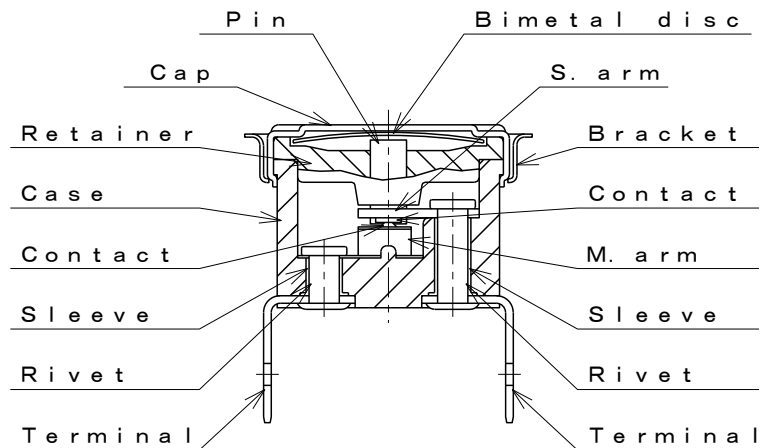
Dimensions



Materials of parts

Part	Material
Cap	Aluminum Copper Stainless steel
Case	Polyester resin
M.arm	Beryllium Copper alloy
Terminals	Brass
Bracket	Stainless steel
Contacts	PGS-Crossbar

Structure



Specification

Item	Specification
1. Basic features	SPST Automatic reset
2. Operation	A : Contacts open on temperature rise B : Contacts close on temperature rise
3. Electrical rating	AC250V/0.2A DC42V/0.2A 100,000 cycles
4. Calibration method	Hot & cold air circulation system
5. Temperature rating	Operating temperature Max. 180°C
6. Insulation resistance	1,000MΩ or more / DC500V
7. Dielectric strength	AC1,500V/1min. or AC1,800V/1sec.

Standard

UL 873, CSA C22.2(C-UR) UL File No. E43273
 DIN EN 60730-1, -2-9 VDE Licence No. 40004992

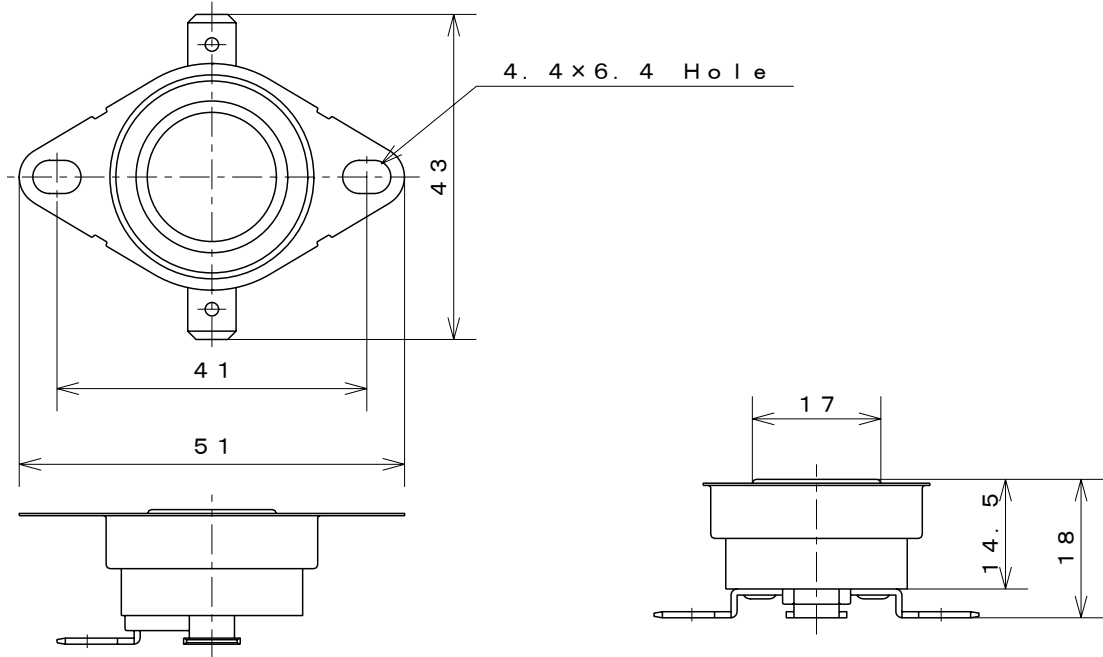




3/4" Disc Type Thermostat
Automatic Reset

Type **30** Series

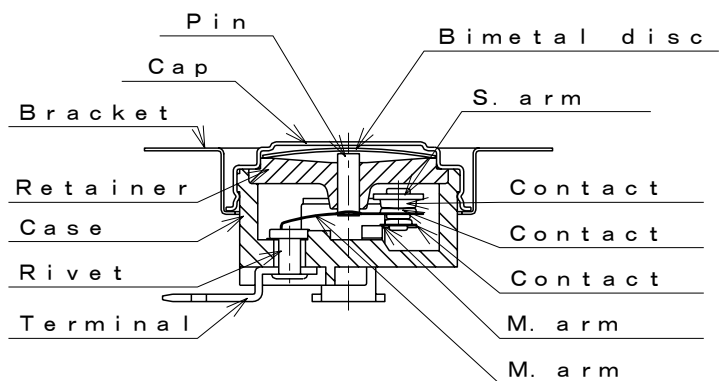
Dimensions



Materials of parts

Part	Material
Cap	Copper Stainless steel
Case	Phenolic resin
M.arm	Beryllium Copper alloy
Terminals	Brass
Bracket	Stainless steel
Contacts	Silver-Nickel alloy (31,32) Silver (33)

Structure



Specification

Item	Specification
1. Basic features	SPDT Automatic reset
2. Operation	L : Contacts open on temperature rise F : Contacts close on temperature rise
3. Electrical rating by variation of Type	31 :C-A AC125V/20A AC250V/15A :C-B AC125V/10A AC250V/ 8A 32 :C-A AC125V/20A AC250V/15A :C-B AC125V/ 3A AC250V/ 3A 33 :C-A AC125V/ 3A AC250V/ 3A :C-B AC125V/ 3A AC250V/ 3A
4. Calibration method	Hot & cold air circulation system
5. Temperature rating	Operating temperature Max. 150°C
6. Insulation resistance	Not less than AC1,000MΩ /DC500V.
7. Dielectric strength	Not less than AC1,500V/1 min. or AC1,800V/1 sec.

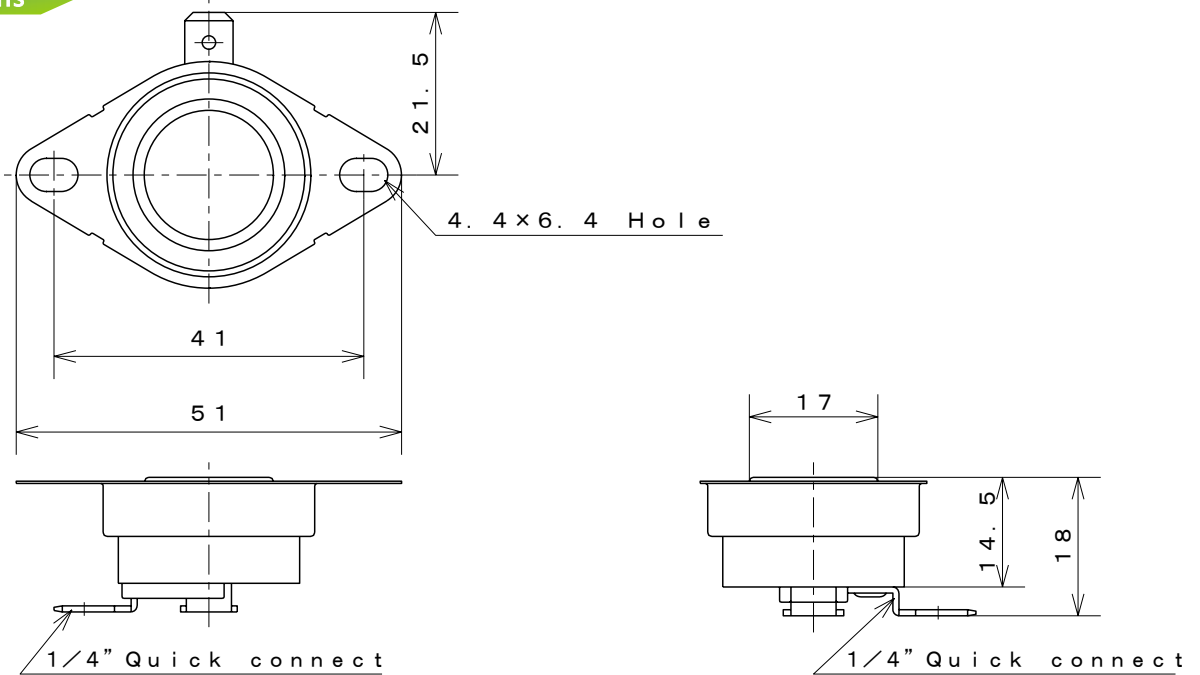




3/4" Disc Type Thermostat
Automatic Reset

Type **41**

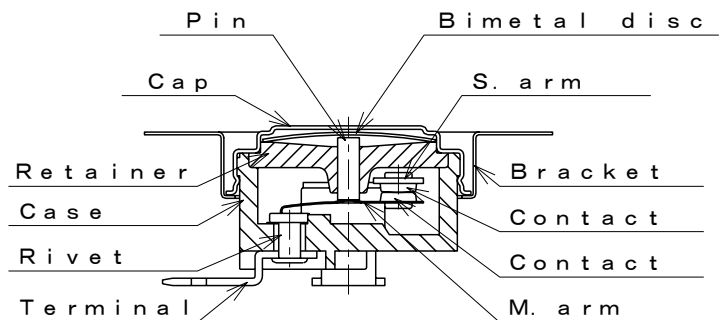
Dimensions



Materials of parts

Part	Material
Cap	Copper Stainless steel
Case	Phenolic resin
M.arm	Beryllium Copper alloy
Terminals	Brass
Bracket	Stainless steel
Contacts	Silver-Nickel alloy

Structure



Specification

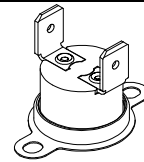
Item	Specification
1. Basic features	SPST Automatic reset
2. Operation	A : Contacts open on temperature rise B : Contacts close on temperature rise
3. Electrical rating	AC125V/20A AC250V/15A
4. Calibration method	Hot & cold air circulation system
5. Temperature rating	Operating temperature Max. 150°C
6. Insulation resistance	Not less than 1,000MΩ/DC500V
7. Dielectric strength	Not less than AC1,500V/1min. or AC1,800V/1sec.



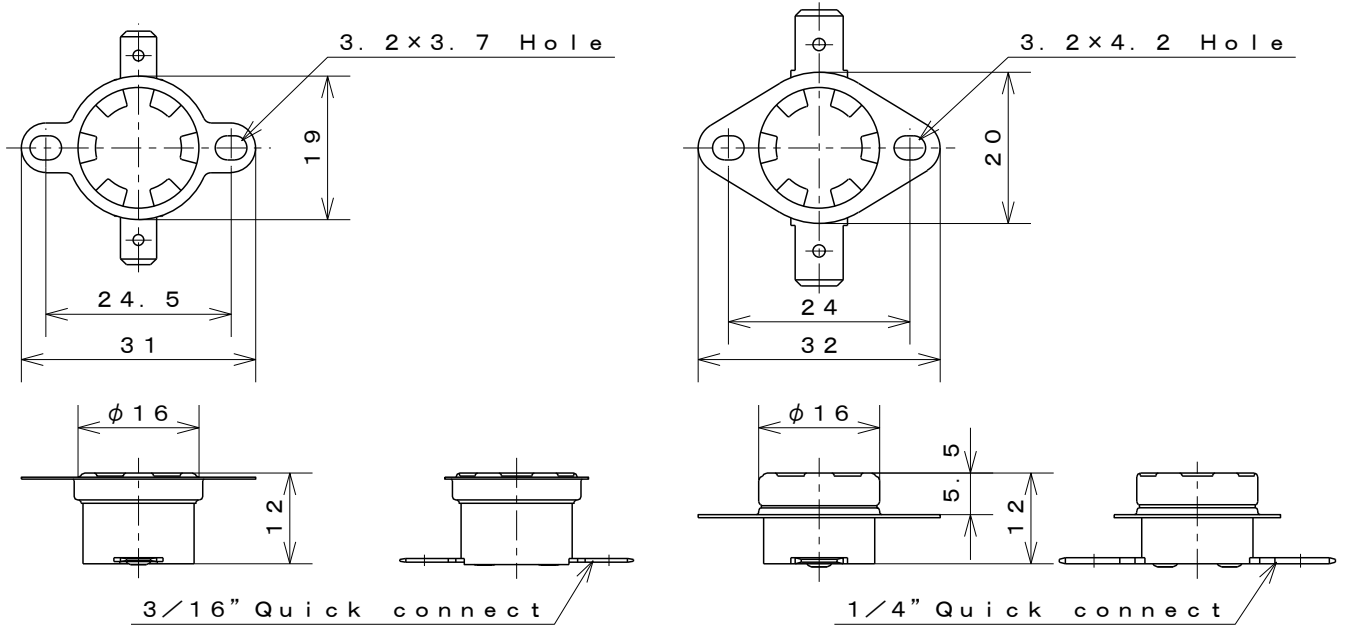


1/2" Disc Type Thermostat High Temp. Type

Type 52N



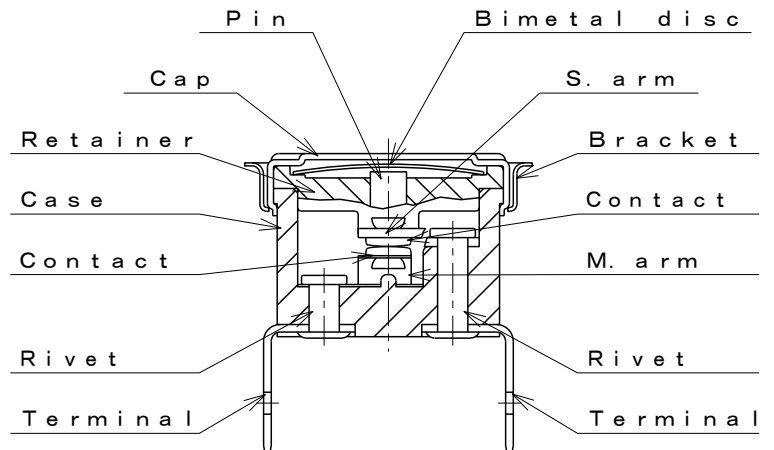
Dimensions



Materials of parts

Part	Material
Cap	Aluminum
	Copper
	Stainless steel
Case	Ceramic
M.arm	Beryllium Copper alloy
Terminals	Brass, Steel
Bracket	Stainless steel
Contacts	Silver-Nickel alloy

Structure



Specification

Item	Specification
1. Basic features	SPST Automatic reset
2. Operation	A : Contacts open on temperature rise B : Contacts close on temperature rise
3. Electrical rating	UL, CSA : AC125V/15A AC250V/10A (100,000 cycles) VDE : AC250V/10A (100,000 cycles) , AC250V/16A (10,000 cycles)
4. Calibration method	Hot & cold air circulation system
5. Temperature rating	Operating temperature Max. 200°C 230°C
6. Insulation resistance	Not less than 1,000MΩ/DC500V
7. Dielectric strength	Not less than AC1,500V/1 min. or AC1,800V/1 sec.

Standard

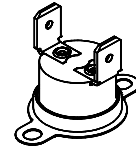
UL 873	UL File	No. E43273
CSA C22.2 No. 24	CSA Report	No. LR67165
DIN EN 60730-1, -2-9	VDE Licence	No. 40004992



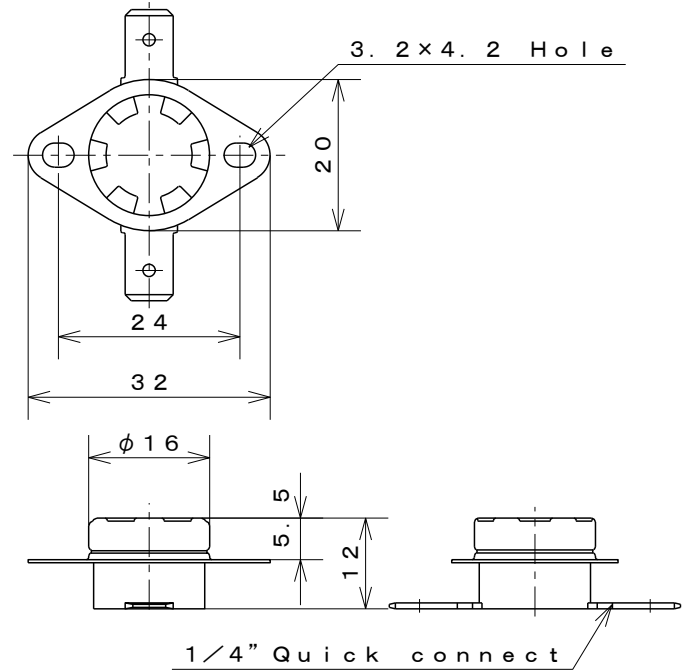
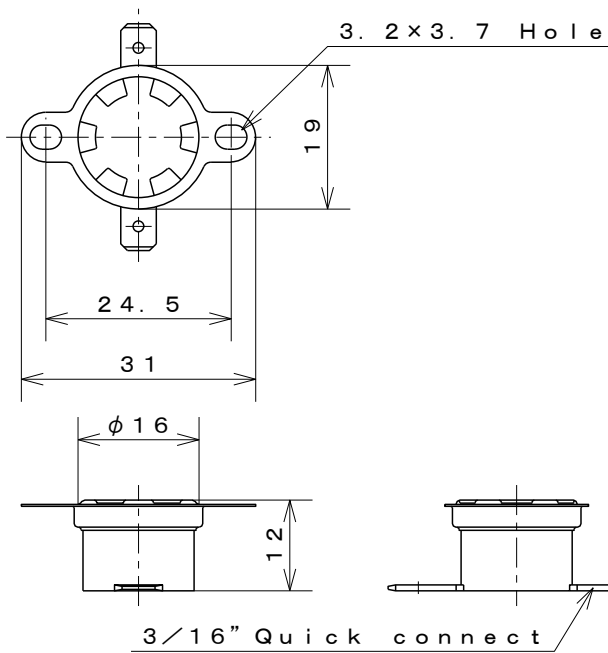


1/2" Disc Type Thermostat
High Temp. Type

Type **52P**



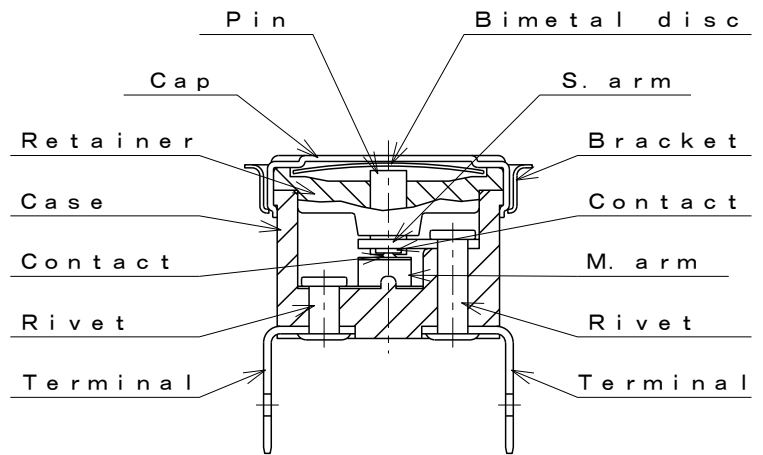
Dimensions



Materials of parts

Part	Material
Cap	Aluminum Copper Stainless steel
Case	Ceramic
M.arm	Beryllium Copper alloy
Terminals	Brass, Steel
Bracket	Stainless steel
Contacts	PGS-Crossbar

Structure



Specification

Item	Specification
1. Basic features	SPST Automatic reset
2. Operation	A : Contacts open on temperature rise B : Contacts close on temperature rise
3. Electrical rating	AC250V/0.2A DC42V/0.2A
4. Calibration method	Hot & cold air circulation system
5. Temperature rating	Operating temperature Max. 230°C
6. Insulation resistance	Not less than 1,000MΩ/DC500V
7. Dielectric strength	Not less than AC1,500V/1min. or AC1,800V/1sec.

Standard

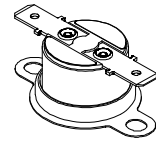
UL 873, C-UR C22.2 No.24 UL File No. E43273
DIN EN 60730-1, -2-9 VDE Licence No. 40004992



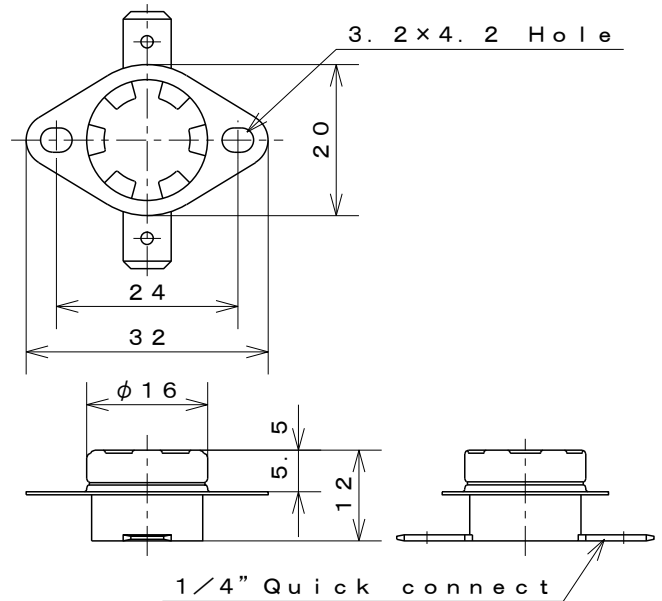
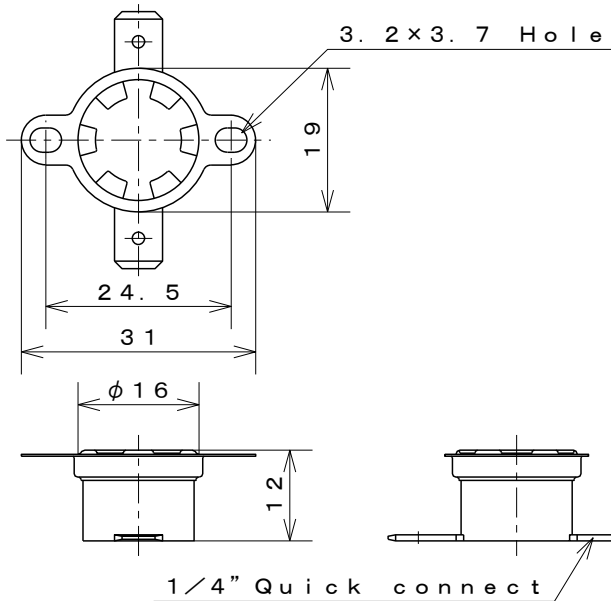


1/2" Disc Type Thermostat Automatic Reset

Type 54N



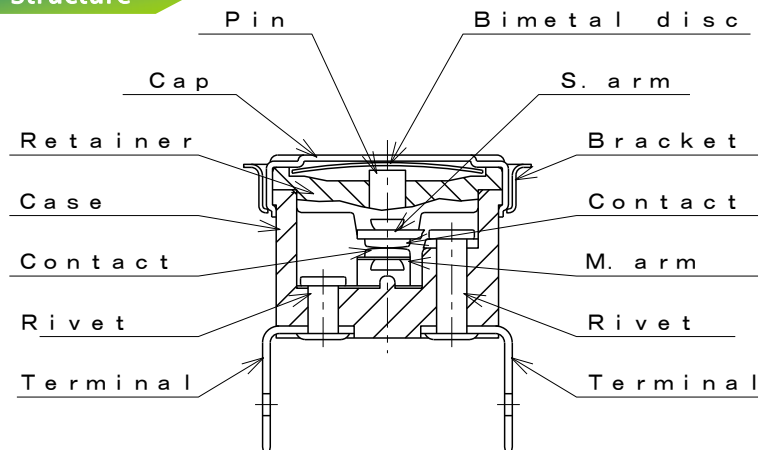
Dimensions



Materials of parts

Part	Material
Cap	Aluminum
	Copper
	Stainless steel
Case	Phenolic resin
M.arm	Beryllium Copper alloy
Terminals	Brass
Bracket	Stainless steel
Contacts	Silver-Nickel alloy

Structure



Specification

Item	Specification
1. Basic features	SPST Automatic reset
2. Operation	A : Contacts open on temperature rise B : Contacts close on temperature rise
3. Electrical rating	UL : AC120V/15A AC240V/10A CSA : AC125V/15A AC250V/8A
4. Calibration method	Hot & cold air circulation system
5. Temperature rating	Operating temperature Max. 150°C
6. Insulation resistance	Not less than 1,000MΩ/DC500V
7. Dielectric strength	Not less than AC1,500V/1min. or AC1,800V/1sec.

Standard

UL 873
CSA C22.2 No. 24

UL File No. E43273
CSA Report No. LR67165

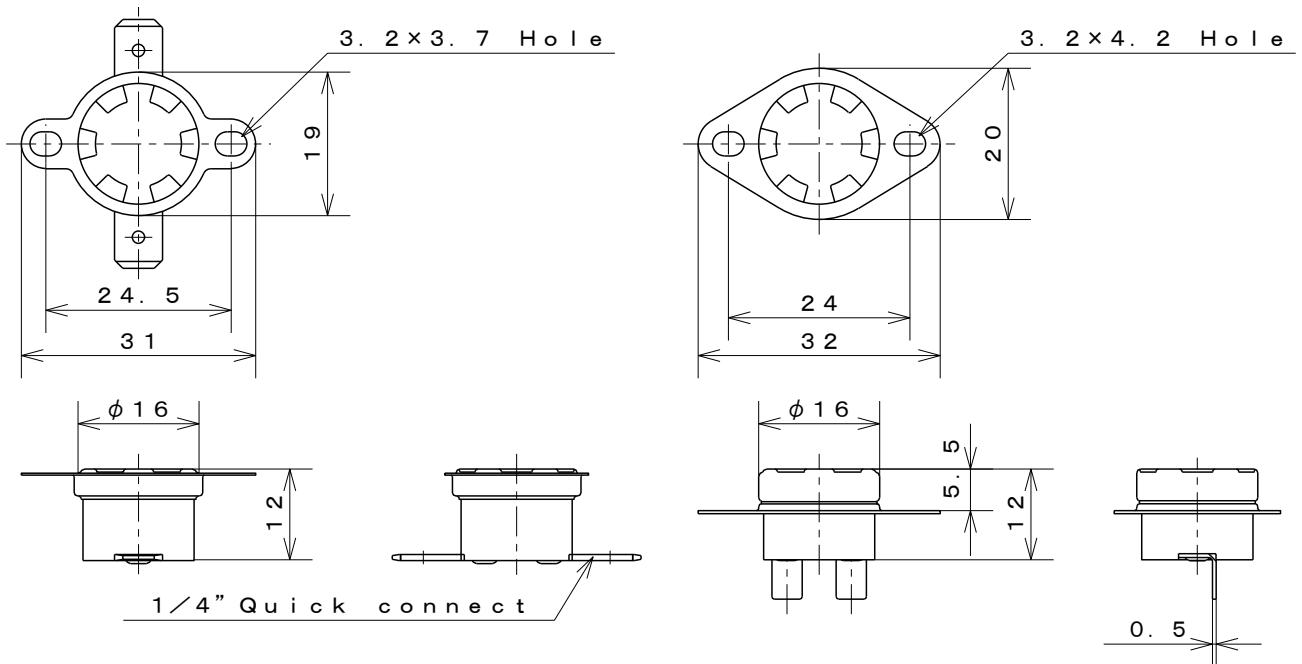




1/2" Disc Type Thermostat High Temp. Type

Type 55H

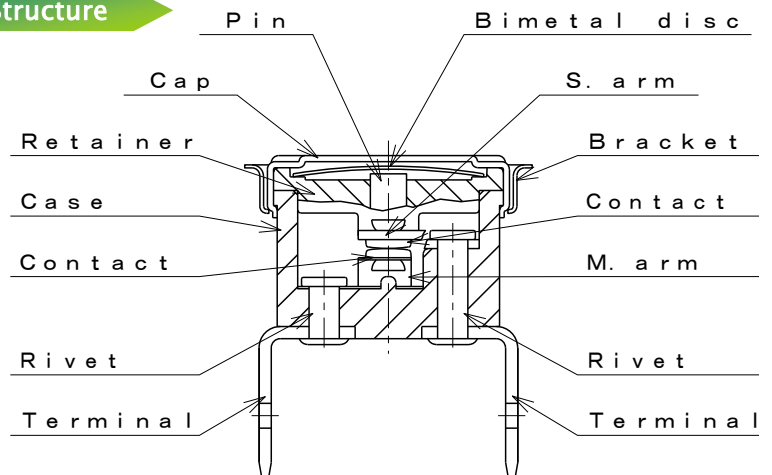
Dimensions



Materials of parts

Part	Material
Cap	Aluminum Copper Stainless steel
Case	Ceramic
M.arm	Nickel alloy
Terminals	Steel #250 Tab, Weld
Bracket	Stainless steel
Contacts	Silver

Structure



Specification

Item	Specification
1. Basic features	SPST Automatic reset
2. Operation	A : Contacts open on temperature rise
3. Electrical rating	AC250V/7A
4. Calibration method	Hot & cold air circulation system
5. Temperature rating	Operating temperature Max. 260°C
6. Insulation resistance	Not less than 1,000MΩ/DC500V
7. Dielectric strength	Not less than AC1,500V/1 min. or AC1,800V/1 sec.

Standard

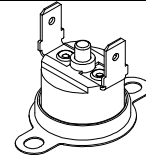
DIN EN 60730-1, -2-9 VDE File No.40004992



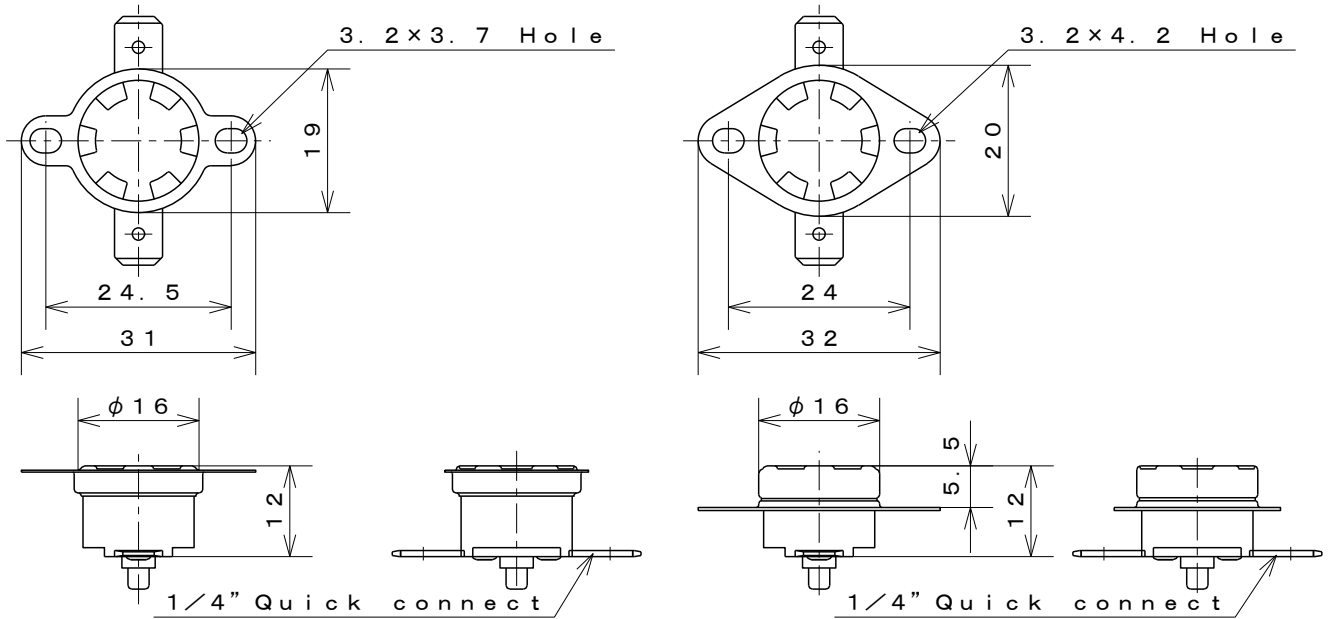


1/2" Disc Type Thermostat Manual Reset

Type 05EN



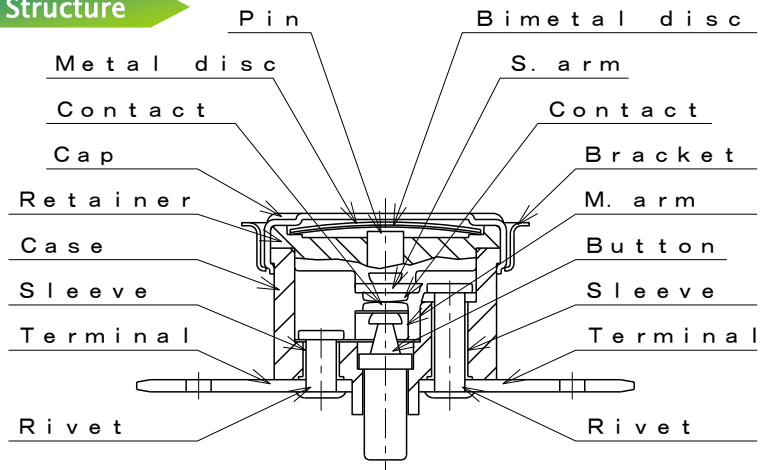
Dimensions



Materials of parts

Part	Material
Cap	Aluminum Copper Stainless steel
Case	Phenolic resin
M.arm	Beryllium Copper alloy
Terminals	Brass
Bracket	Stainless steel
Contacts	Silver-Nickel alloy
Button	Phenolic resin

Structure



Specification

Item	Specification
1. Basic features	SPST Manual reset
2. Operation	A : Contacts open on temperature rise Not automatic reset
3. Electrical rating	UL : AC120V/15A AC240V/10A CSA : AC125V/15A AC250V/10A VDE : AC250V/16A
4. Calibration method	Hot & cold air circulation system
5. Temperature rating	Operating temperature Max. 150°C
6. Insulation resistance	Not less than 1,000MΩ/DC500V
7. Dielectric strength	Not less than AC1,500V/1min. or AC1,800V/1sec.

Standard

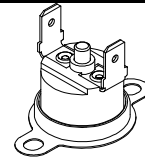
UL 873	UL File	No. E43273
CSA C22.2 No. 24	CSA Report	No. LR67165
DIN EN 60730-1, -2-9	VDE Licence	No. 40012267



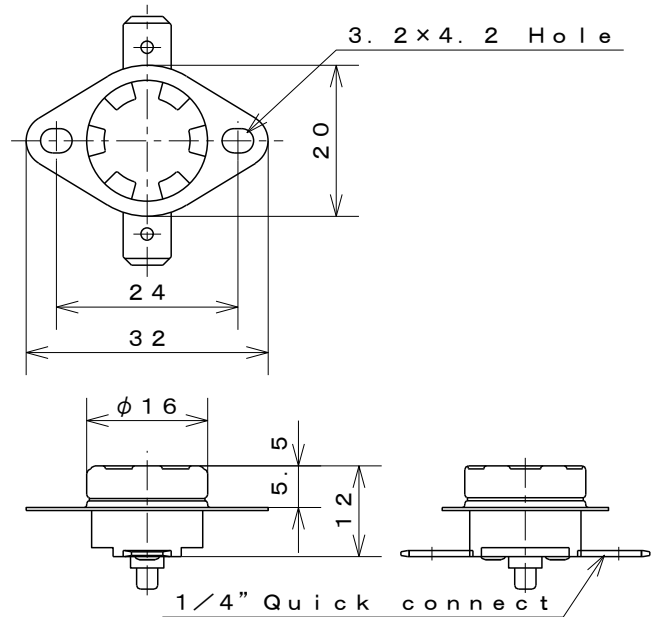
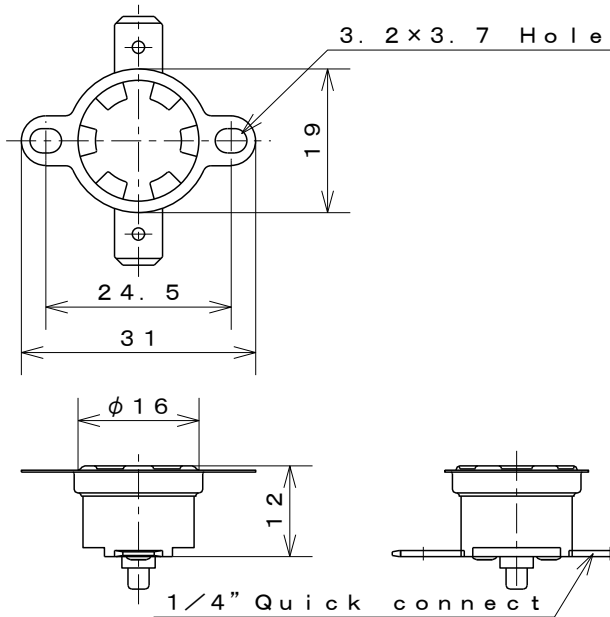


1/2" Disc Type Thermostat Manual Reset

Type 05EP



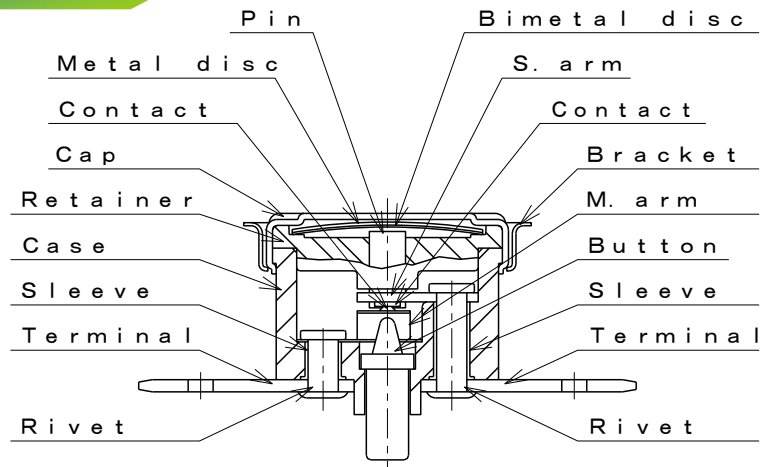
Dimensions



Materials of parts

Part	Material
Cap	Aluminum Copper Stainless steel
Case	Phenolic resin
M.arm	Beryllium Copper alloy
Terminals	Brass
Bracket	Stainless steel
Contacts	PGS-Crossbar
Button	Phenolic resin

Structure



Specification

Item	Specification
1. Basic features	SPST Manual reset
2. Operation	A : Contacts open on temperature rise Not automatic reset
3. Electrical rating	UL / CSA : AC250V/0.1A DC30V/0.1A VDE : AC250V/0.2A DC42V/0.2A
4. Calibration method	Hot & cold air circulation system
5. Temperature rating	Operating temperature Max. 150°C
6. Insulation resistance	Not less than 1,000MΩ/DC500V
7. Dielectric strength	Not less than AC1,500V/1min. or AC1,800V/1sec.

Standard

UL 873	UL File	No. E43273
CSA C22.2 No. 24	CSA Report	No. LR67165
DIN EN 60730-1, -2-9	VDE Licence	No. 40012267



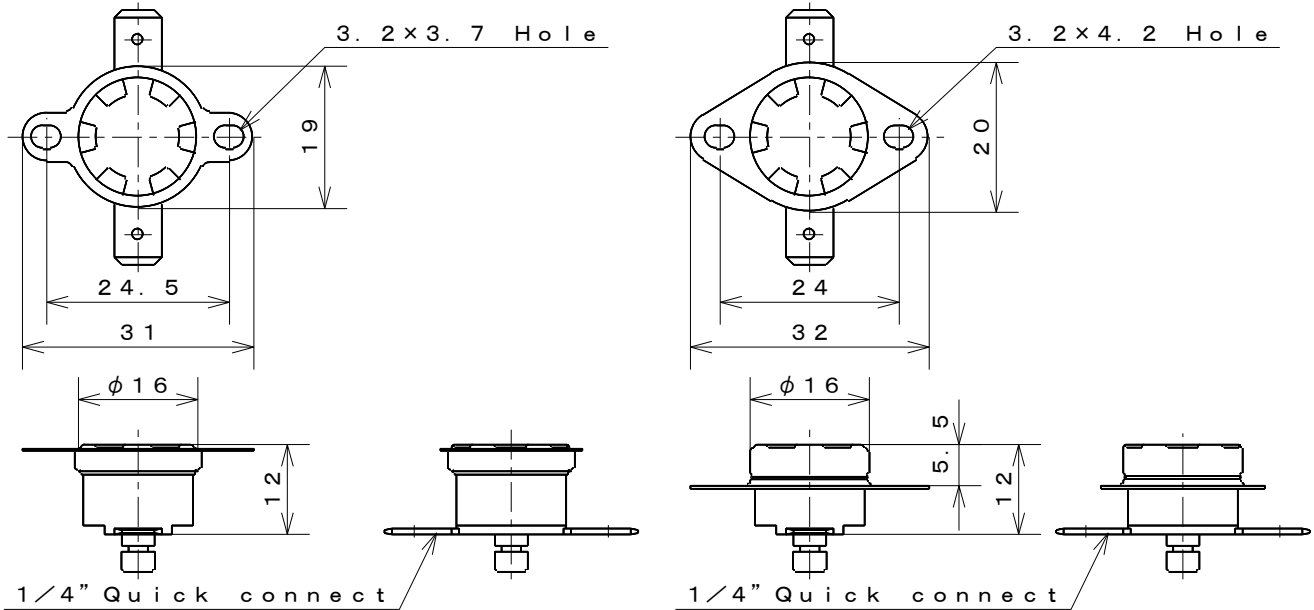


1/2" Disc Type Thermostat
High Temp. Manual Reset

Type **15N**

UL·C·UR·VDE
Recognized

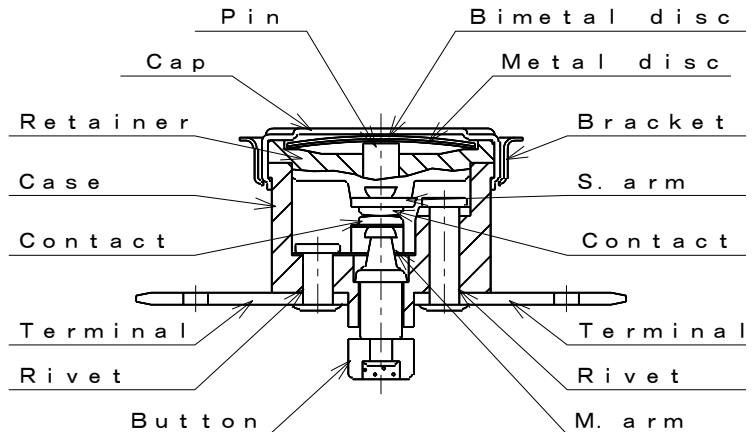
Dimensions



Materials of parts

Part	Material
Cap	Aluminum Copper Stainless steel
Case	Ceramic
M.arm	Beryllium Copper alloy
Terminals	Steel
Bracket	Stainless steel
Contacts	Silver-Nickel alloy

Structure



Specification

★Compliance with RoHS Directives

Item	Specification
1. Basic features	SPST Manual reset
2. Operation	A : Contacts open on temperature rise Not automatic reset
3. Electrical rating	AC125V/15A AC250V/10A
4. Calibration method	Hot & cold air circulation system
5. Temperature rating	Operating temperature Max. 250°C
6. Insulation resistance	Not less than 1,000MΩ/DC500V
7. Dielectric strength	Not less than AC1,500V/1min. or AC1,800V/1sec.

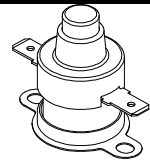
Standard

MITI (JET) J-58
UL 60730-1, -2-9 UL File No. E201152
CAN/CSA E730-1, -2-9 C-UR
DIN EN 60730-1, -2-9 VDE Licence No. 40019831

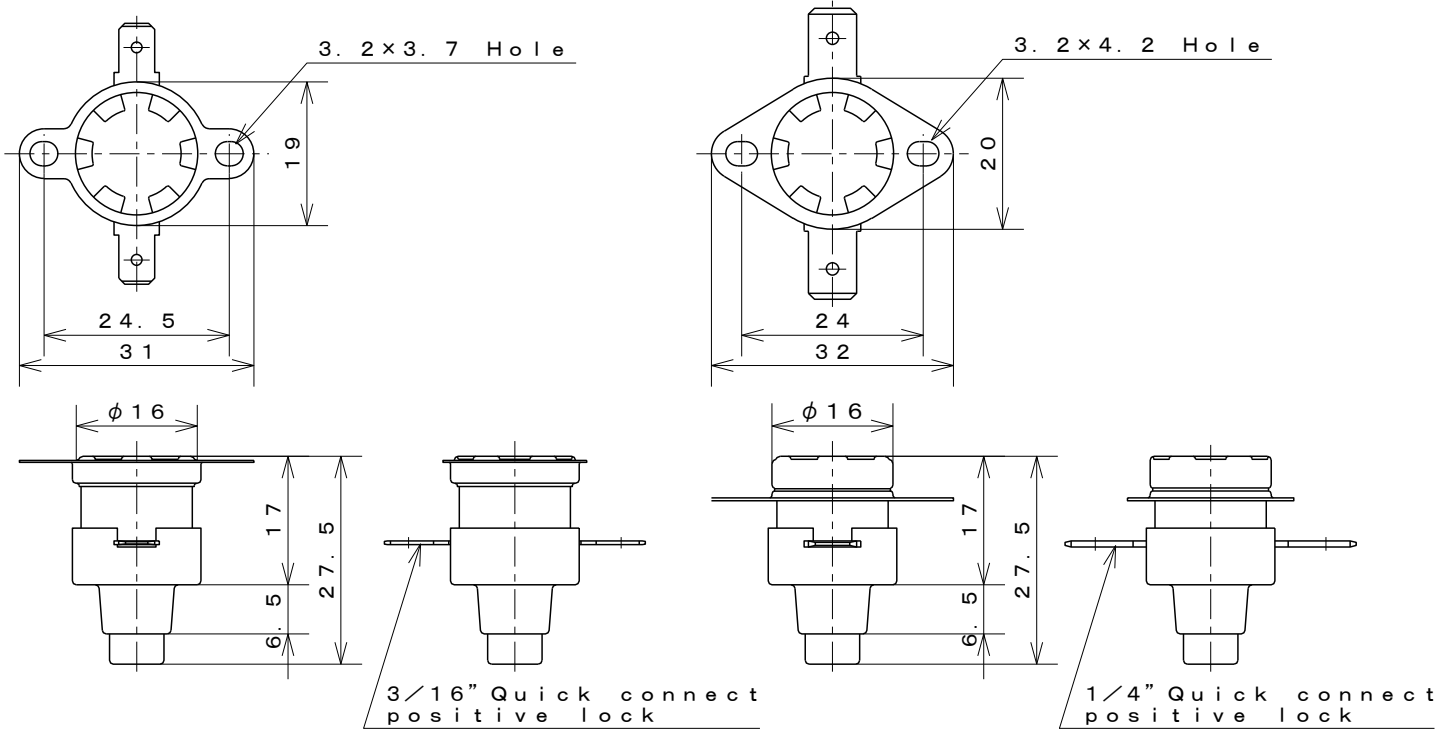


1/2" Disc Type Thermostat Manual Reset

Type 23EN



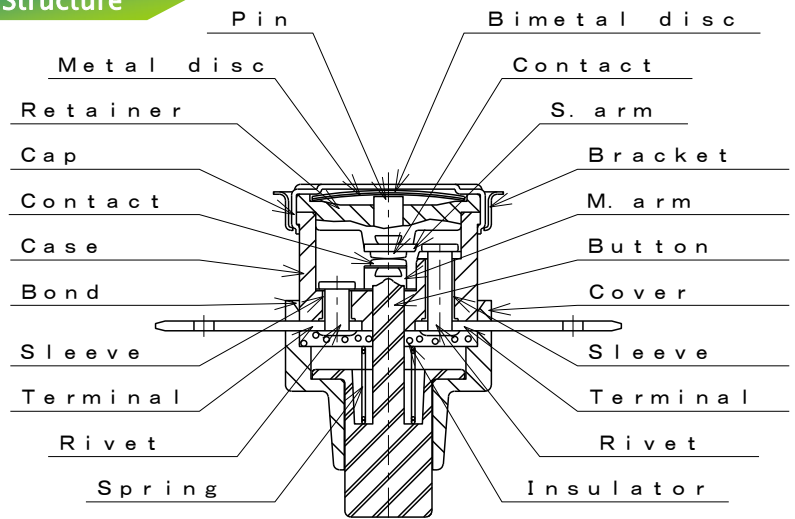
Dimensions



Materials of parts

Part	Material
Cap	Aluminum Copper Stainless steel
Case	Phenolic resin
M.arm	Beryllium Copper alloy
Terminals	Brass
Bracket	Stainless steel
Contacts	Silver-Nickel alloy
Button	Phenolic resin

Structure



Specification

Item	Specification
1. Basic features	SPST Manual reset
2. Operation	A : Contacts open on temperature rise Not automatic reset
3. Electrical rating	UL, C-UR : AC120V/15A AC240V/10A 6,000 cycles VDE : AC250V/16A 3,000 cycles
4. Calibration method	Hot & cold air circulation system
5. Temperature rating	Operating temperature Max. 150°C
6. Insulation resistance	Not less than 1,000MΩ/DC500V
7. Dielectric strength	Not less than AC1,500V/1min. or AC1,800V/1sec.

Standard

UL 873, C-UR UL File No. E43273
DIN EN 60730-1, -2-9 VDE Licence No. 40012267



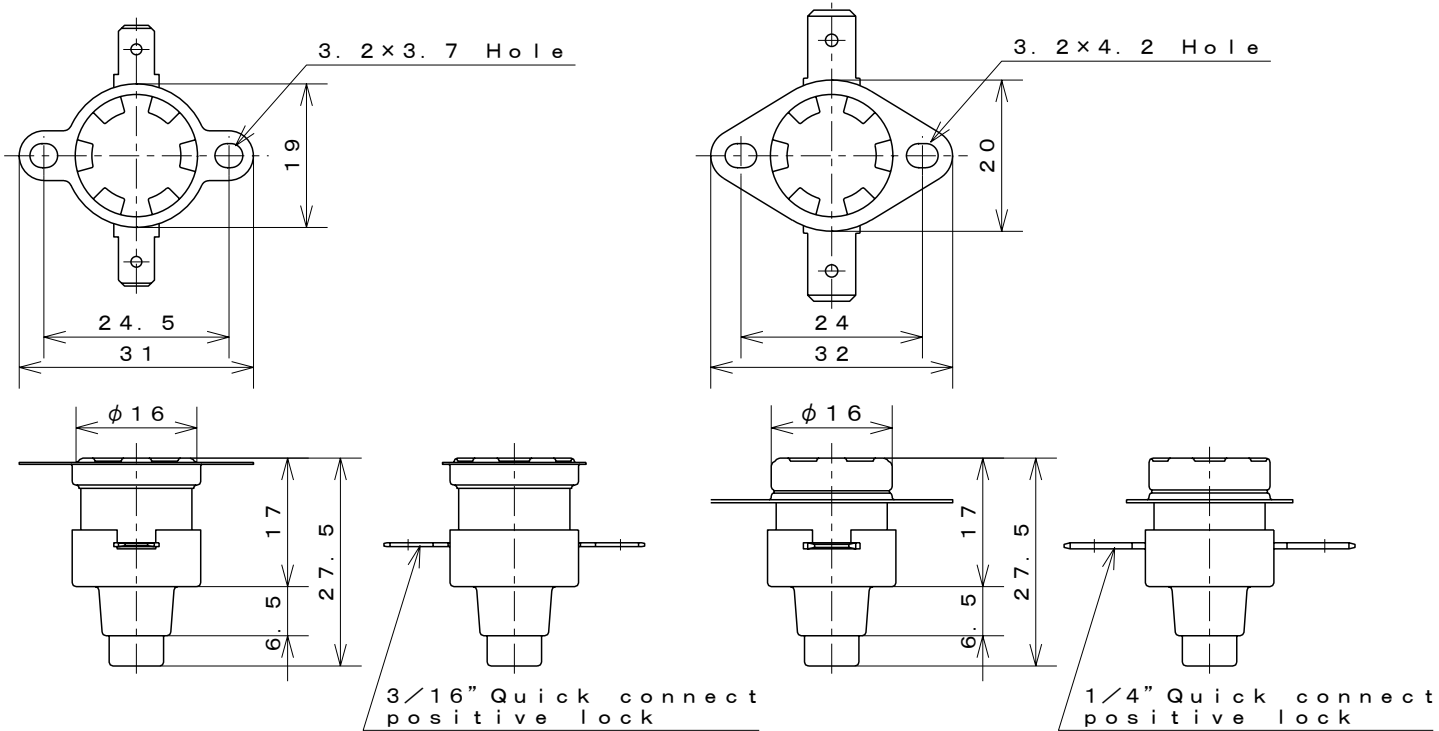


1/2" Disc Type Thermostat
Manual Reset

Type **23EP**

VDE
Recognized

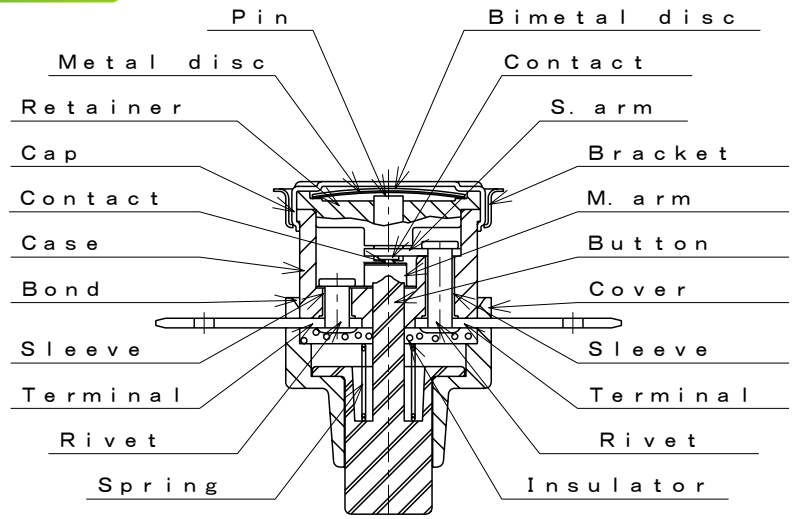
Dimensions



Materials of parts

Part	Material
Cap	Aluminum Copper Stainless steel
Case	Phenolic resin
M.arm	Beryllium Copper alloy
Terminals	Brass
Bracket	Stainless steel
Contacts	PGS-Crossbar
Button	Phenolic resin

Structure



Specification

Item	Specification
1. Basic features	SPST Manual reset
2. Operation	A : Contacts open on temperature rise Not automatic reset
3. Electrical rating	AC250V/0.2A DC42V/0.2A
4. Calibration method	Hot & cold air circulation system
5. Temperature rating	Operating temperature Max. 150°C
6. Insulation resistance	Not less than 1,000MΩ/DC500V
7. Dielectric strength	Not less than AC1,500V/1min. or AC1,800V/1sec.

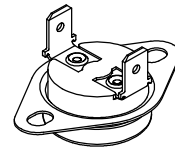
Standard

DIN EN 60730-1, -2-9 VDE Licence No. 40012267

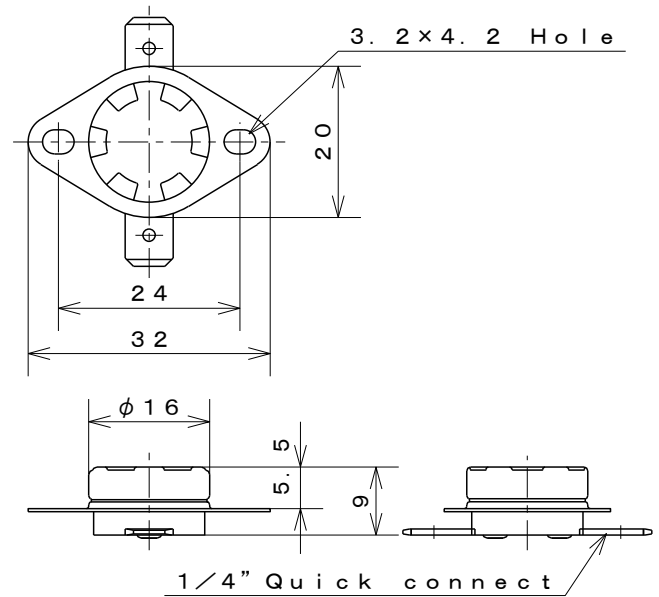
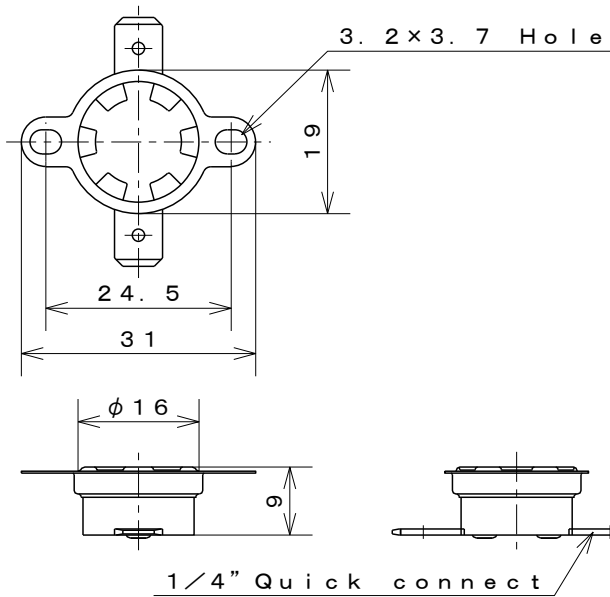


1/2" Disc Type Thermostat
Thin Type

Type **10N**



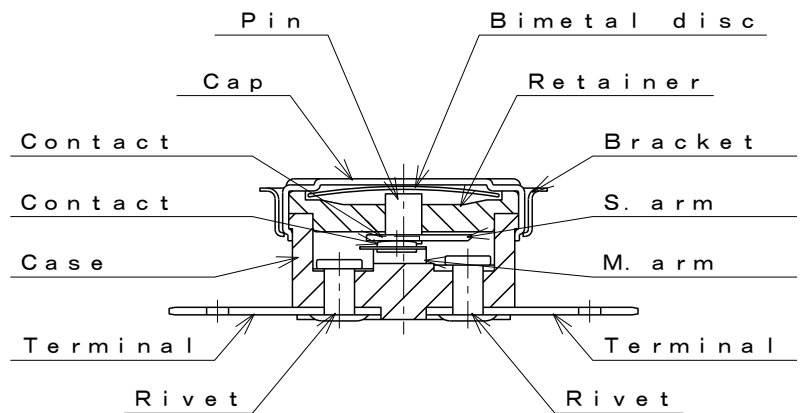
Dimensions



Materials of parts

Part	Material
Cap	Aluminum Copper Stainless steel
Case	Ceramic
M.arm	Beryllium Copper alloy
Terminals	Copper alloy
Bracket	Stainless steel
Contacts	Silver-Nickel alloy

Structure



Specification

Item	Specification
1. Basic features	SPST Automatic reset
2. Operation	A : Contacts open on temperature rise B : Contacts close on temperature rise
3. Electrical rating	AC125V/15A AC250V/10A
4. Calibration method	Hot & cold air circulation system
5. Temperature rating	Operating temperature Max. 200°C(UL:175°C CSA:200°C)
6. Insulation resistance	Not less than 1,000MΩ/DC500V
7. Dielectric strength	Not less than AC1,500V/1min. or AC1,800V/1sec.

Standard

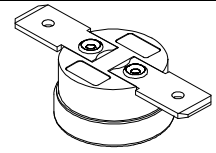
UL 873	UL File	No. E43273
CSA C22.2 No. 24	CSA Report	No. LR67165
MITI (JET)	J-53	



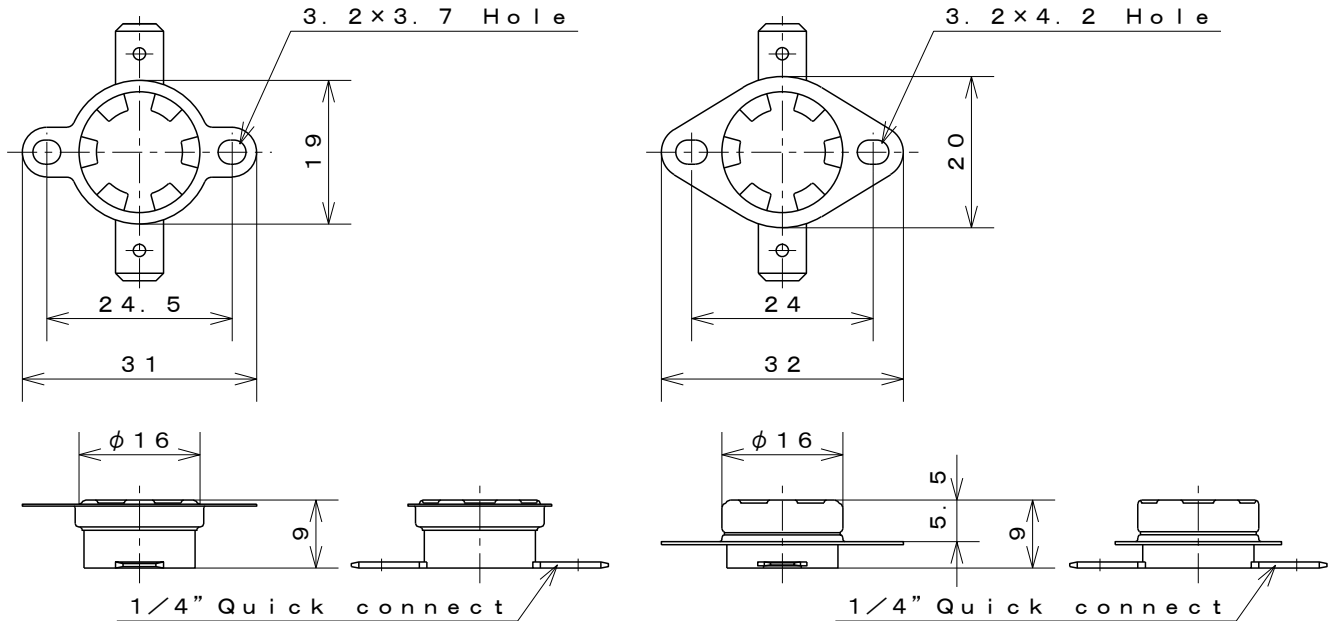


1/2" Disc Type Thermostat Thin Type

Type 11EN



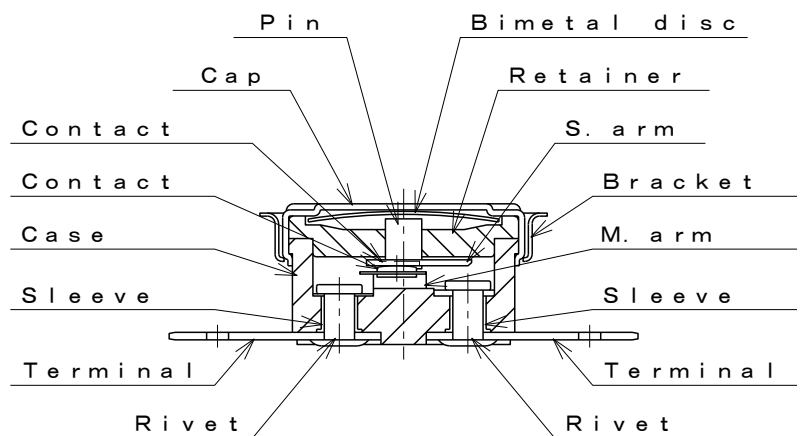
Dimensions



Materials of parts

Part	Material
Cap	Aluminum Copper Stainless steel
Case	Phenolic resin
M.arm	Beryllium Copper alloy
Terminals	Brass
Bracket	Stainless steel
Contacts	Silver-Nickel alloy

Structure



Specification

Item	Specification
1. Basic features	SPST Automatic reset
2. Operation	A : Contacts open on temperature rise B : Contacts close on temperature rise
3. Electrical rating	AC125V/15A AC250V/10A
4. Calibration method	Hot & cold air circulation system
5. Temperature rating	Operating temperature Max. 150°C
6. Insulation resistance	Not less than 1,000MΩ/DC500V
7. Dielectric strength	Not less than AC1,500V/1min. or AC1,800V/1sec.

Standard

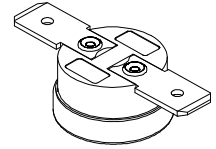
UL 873	UL File	No. E43273
CSA C22.2 No. 24	CSA Report	No. LR67165
DIN EN 60730-1, -2-9	VDE Licence	No. 40004286



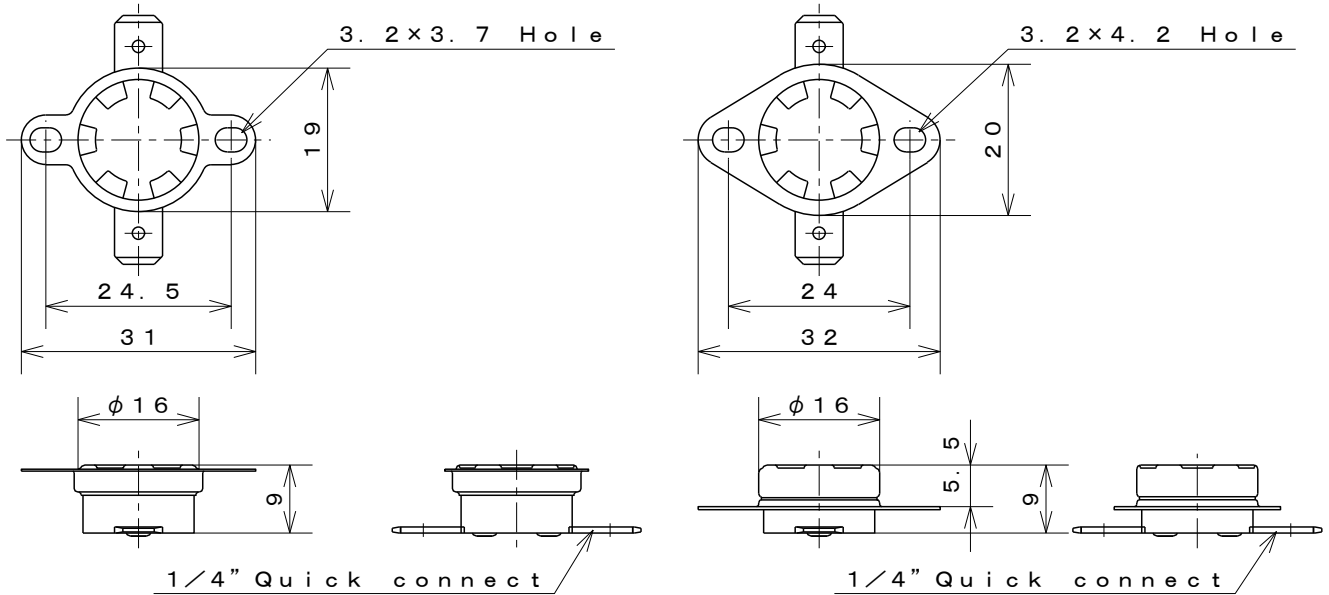


1/2" Disc Type Thermostat
Thin Type

Type **11ES**



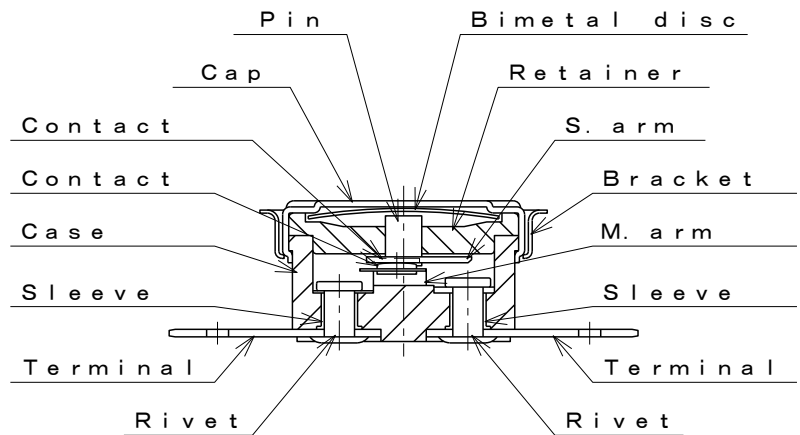
Dimensions



Materials of parts

Part	Material
Cap	Aluminum Copper Stainless steel
Case	Phenolic resin
M.arm	Beryllium Copper alloy
Terminals	Brass
Bracket	Stainless steel
Contacts	Silver-Nickel alloy

Structure



Specification

Item	Specification
1. Basic features	SPST Automatic reset
2. Operation	A : Contacts open on temperature rise B : Contacts close on temperature rise
3. Electrical rating	AC125V/6A AC250V/3A
4. Calibration method	Hot & cold air circulation system
5. Temperature rating	Operating temperature Max. 150°C
6. Insulation resistance	Not less than 1,000MΩ/DC500V
7. Dielectric strength	Not less than AC1,500V/1 min. or AC1,800V/1 sec.

Standard

UL 873	UL File	No. E43273
CSA C22.2 No. 24	CSA Report	No. LR67165
DIN EN 60730-1, -2-9	VDE Licence	No. 40004286

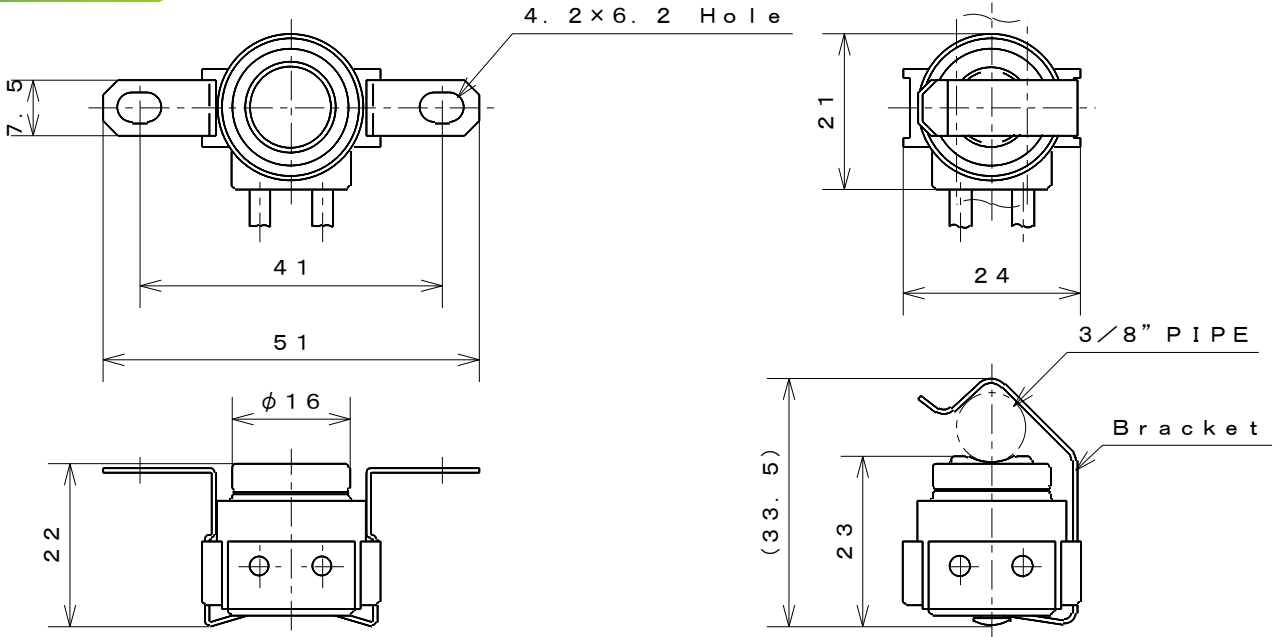




1/2" Disc Type Thermostat
Water Proof Type

Type **12E□** for Europe

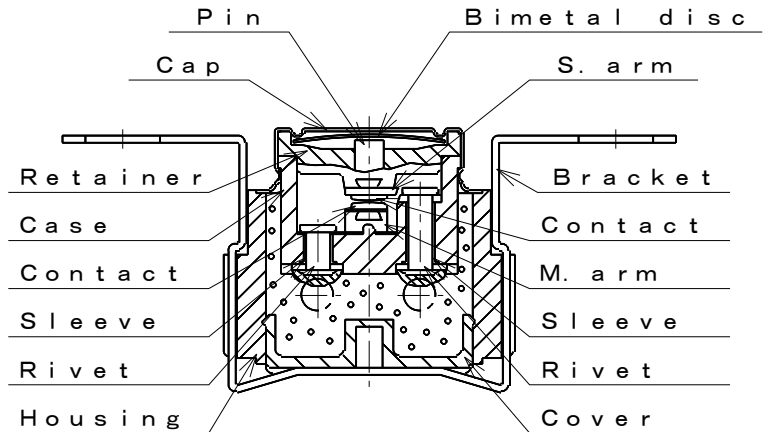
Dimensions



Materials of parts

Part	Material
Cap	Copper Stainless steel
Case	Phenolic resin
Husing	Polycarbonate
Bracket	Stainless steel
Fulling	Polyurethane
Leads	PVC 1.25mm ²
Contacts	Silver-Nickel alloy (N) Silver (C) PGS-Crossbar (X, P)

Structure

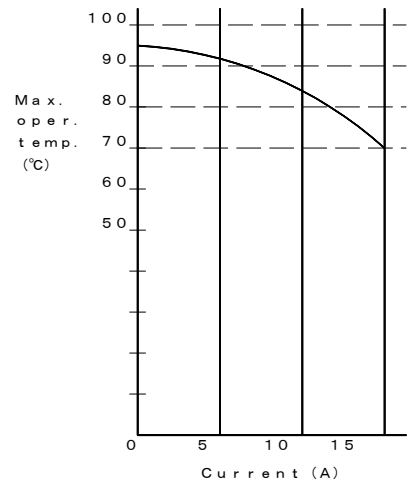


Specification

★Compliance with RoHS Directives

Item	Specification
1. Basic features	SPST Automatic reset
2. Operation	L : Contacts open on temp. rise F : Contacts close on temp. rise
3. Electrical rating by variation of contacts	N : AC125V/15A AC250V/ 8A C : AC125V/ 6A AC250V/ 3A X : AC125V/ 1A DC30V/ 1A P : AC125V/0.2A DC30V/0.2A
4. Calibration method	Hot & cold air or liquid circulation system
5. Insulation resistance	Not less than 1,000MΩ/DC500V
6. Dielectric strength	Not less than AC1,500V/1min. or AC1,800V/1sec.
7. Resistance between Lead (at Lead is 1 meter)	N,C : Not more than 100mΩ X,P : Not more than 50mΩ

Relation of current & Max. operating temp.



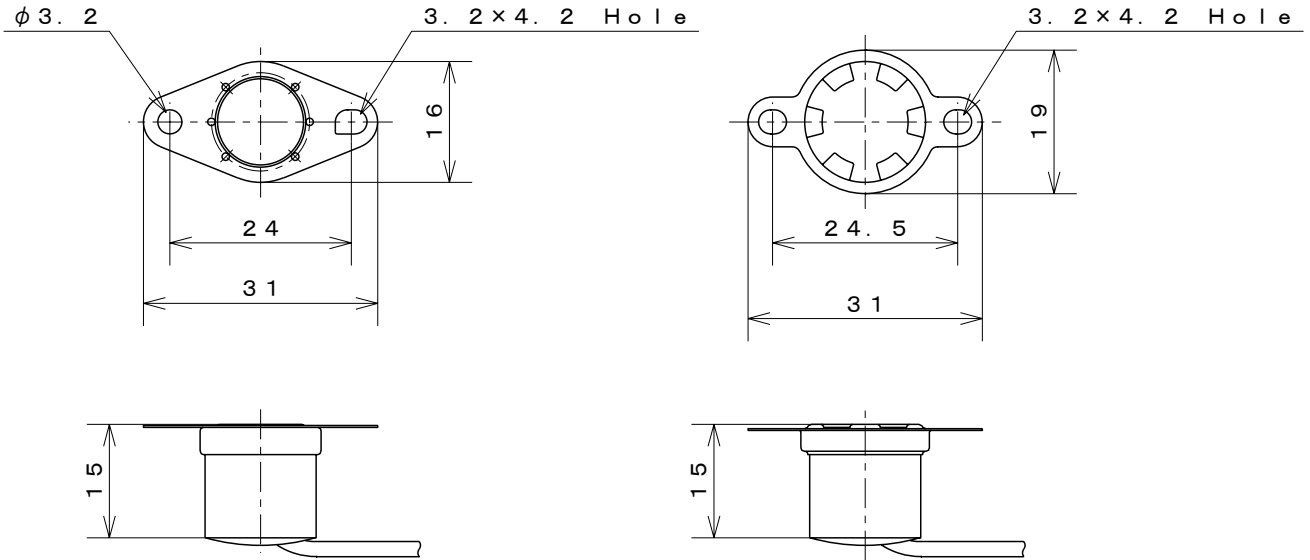


1/2" Disc Type Thermostat
Drip-proof Type. Automatic Reset

Type **20N**

UL-C-UR
Recognized

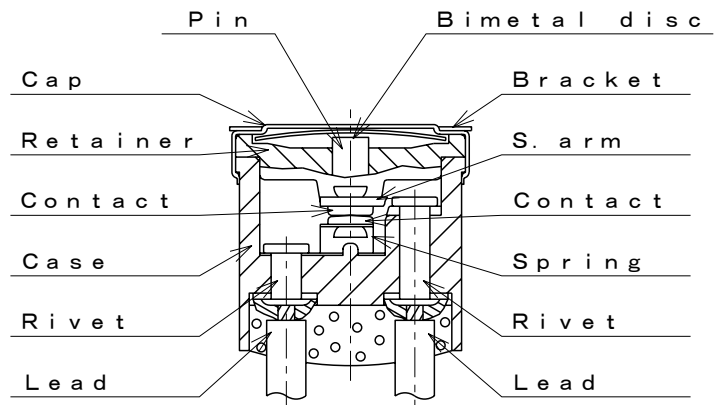
Dimensions



Materials of parts

Part	Material
Cap	Aluminum Copper Stainless steel
Case	Phenolic resin
M.arm	Beryllium Copper alloy
Leads	UL1430 etc
Bracket	Stainless steel
Contacts	Silver-Nickel alloy

Structure



Specification

Item	Specification
1. Basic features	SPST Automatic reset
2. Operation	A : Contacts open on temperature rise B : Contacts close on temperature rise
3. Electrical rating	AC120V/15A AC240V/10A
4. Calibration method	Hot & cold air circulation system
5. Temperature rating	Operating temperature Max. 80°C
6. Insulation resistance	Not less than 1,000MΩ/DC500V
7. Dielectric strength	Not less than AC1,500V/1min. or AC1,800V/1sec.

Standard

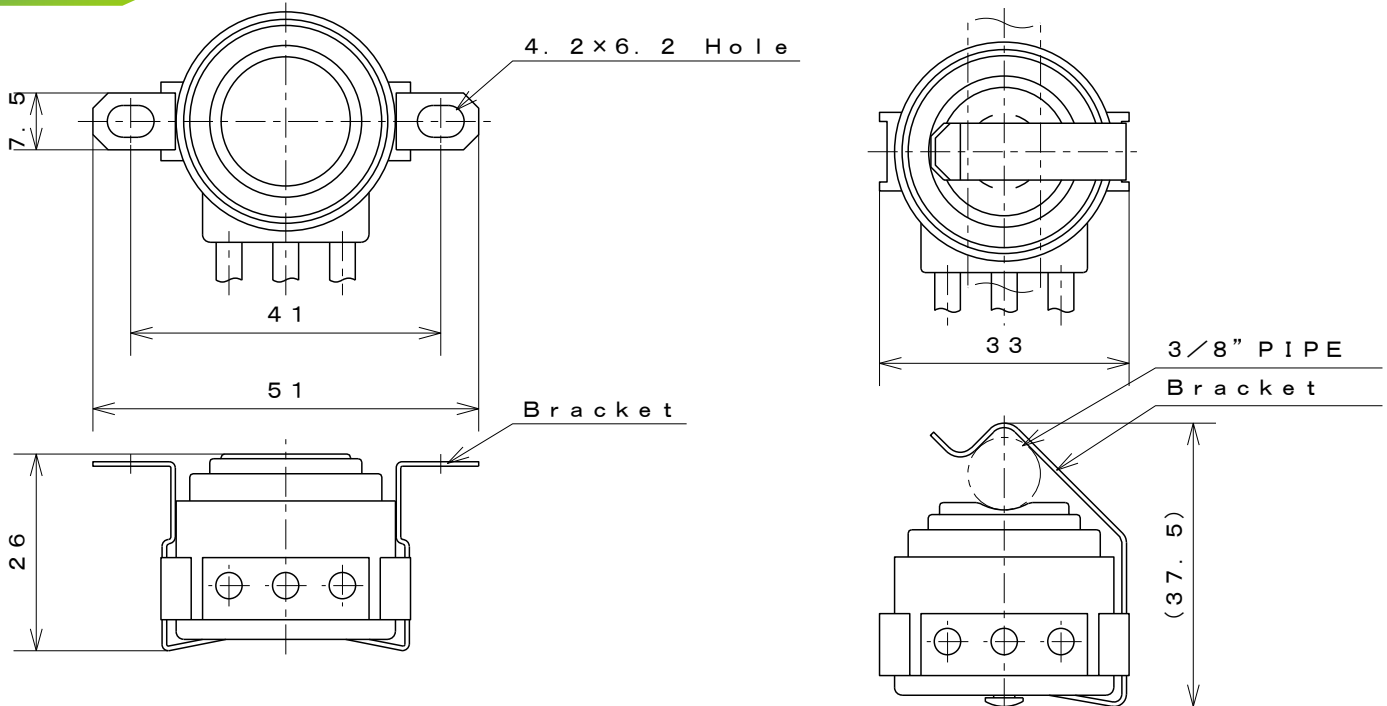
UL 873, C-UR UL File No. E43273



3/4" Disc Type Thermostat
Water-proof Type Automatic Reset

Type **30** Series

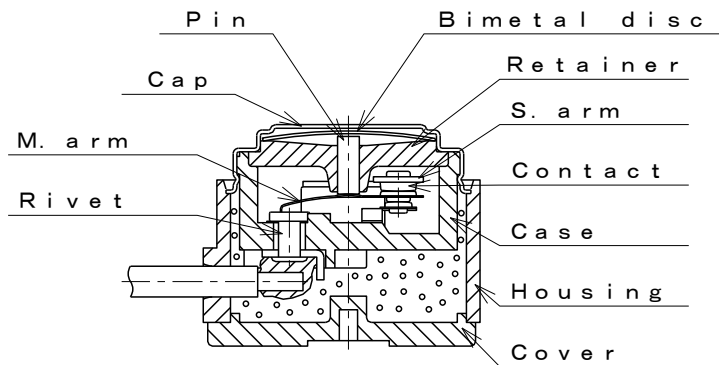
Dimensions



Materials of parts

Part	Material
Cap	Copper
	Stainless steel
Case	Phenolic resin
Housing	Polycarbonate
Bracket	Stainless steel
Fulling	Polyurethane
Leads	PVC
Contacts	Silver-Nickel alloy (36)
	Silver (38)

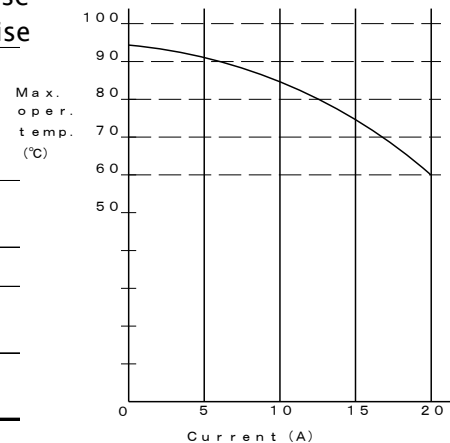
Structure



Specification

Item	Specification
1. Basic features	SPDT Automatic reset
2. Operation	L : Contacts open on temperature rise F : Contacts close on temperature rise
3. Electrical rating	36 :C-A AC125V/20A AC250V/15A :C-B AC125V/10A AC250V/ 8A 38 :C-A AC125V/ 3A AC250V/ 3A :C-B AC125V/ 3A AC250V/ 3A
4. Calibration method	Hot & cold air or liquid circulation system
5. Insulation resistance	Not less than 1,000MΩ/DC500V
6. Dielectric strength	Not less than AC1,500V/1min. or AC1,800V/1sec.
7. Resistance between Lead (at lead is 1m)	Not more than 100mΩ

Relation of current & Max. operation temp.

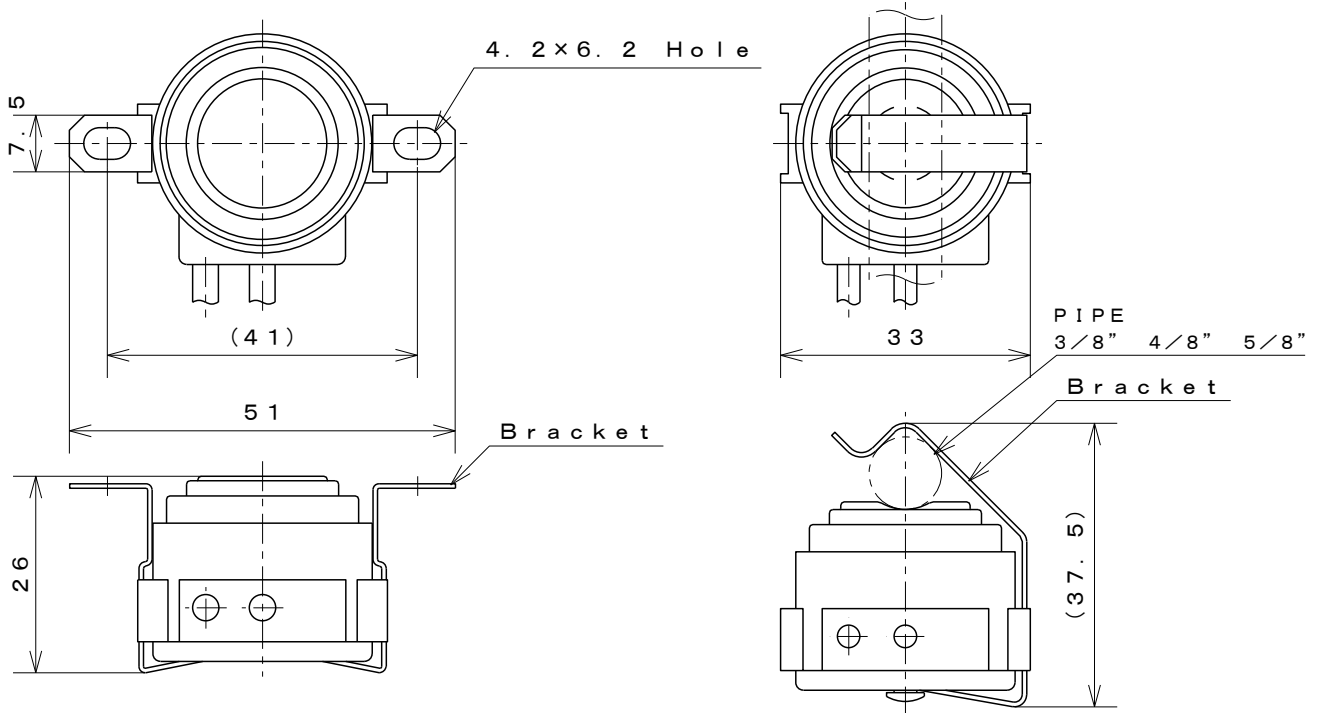




3/4" Disc Type Thermostat
Water-proof Type Automatic Reset

Type 46

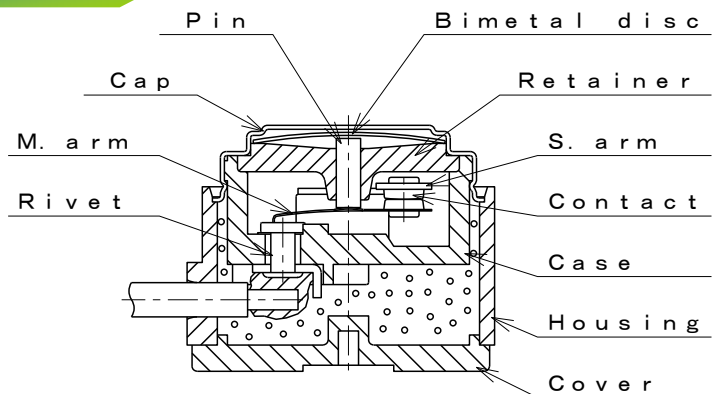
Dimensions



Materials of parts

Part	Material
Cap	Copper Stainless steel
Case	Phenolic resin
Housing	Polycarbonate
Bracket	Stainless steel
Fulling	Polyurethane
Leads	PVC
Contacts	Silver-Nickel alloy

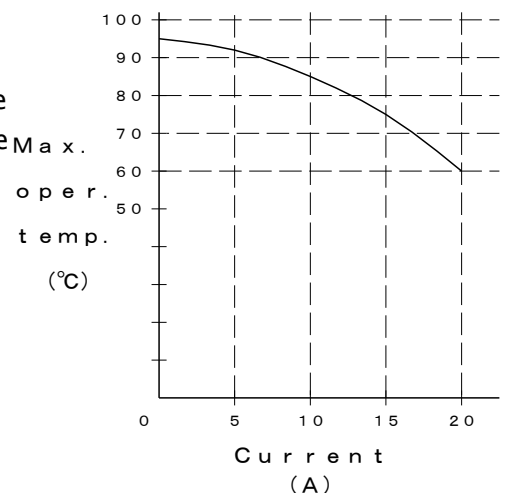
Structure



Specification

Item	Specification
1. Basic features	SPST Automatic reset
2. Operation	L : Contacts open on temperature rise F : Contacts close on temperature rise
3. Electrical rating	AC125V/20A AC250V/15A
4. Calibration method	Hot & cold air or liquid circulation system
5. Insulation resistance	Not less than 1,000MΩ/DC500V
6. Dielectric strength	Not less than AC1,500V/1min. or AC1,800V/1sec.
7. Resistance between Lead (at lead is 1m)	Not more than 100mΩ

Relation of current & Max. operation temp.

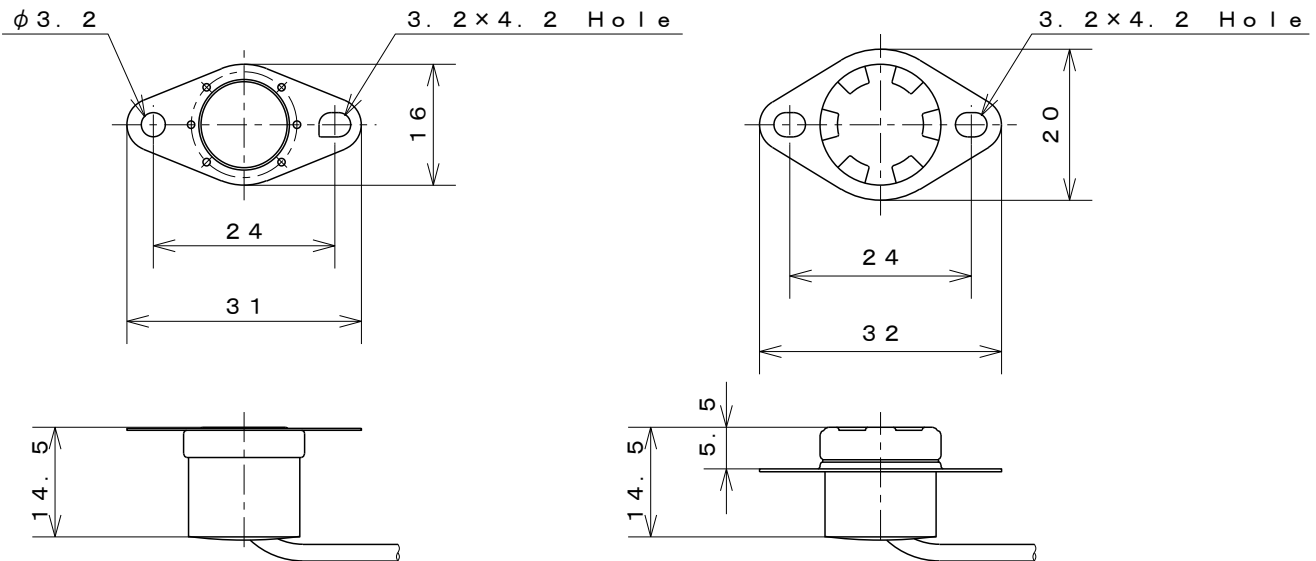




1/2" Disc Type Thermostat
 Splash-proof Type Automatic Reset

Type **60EN**

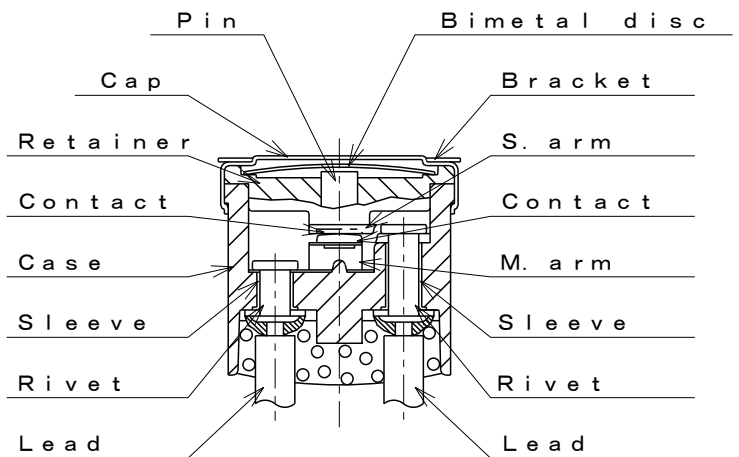
Dimensions



Materials of parts

Part	Material
Cap	Aluminum
	Copper
	Stainless steel
Case	Phenolic resin
Spring	Beryllium Copper alloy
Leads	PVC etc
Bracket	Stainless steel
Contacts	Silver-Nickel alloy

Structure



Specification

Item	Specification
1. Basic features	SPST Automatic reset
2. Operation	A : Contacts open on temperature rise B : Contacts close on temperature rise
3. Electrical rating	AC125V/15A AC250V/10A (at 1.25mm ² lead wire) 1,000 cycles
4. Calibration method	Hot & cold air circulation system
5. Temperature rating	Operating temperature Max. 80°C (100°C)
6. Insulation resistance	1,000MΩ or more / DC500V
7. Dielectric strength	AC1,500V/1min. or AC1,800V/1sec.

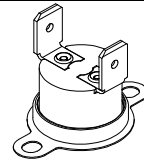
Standard



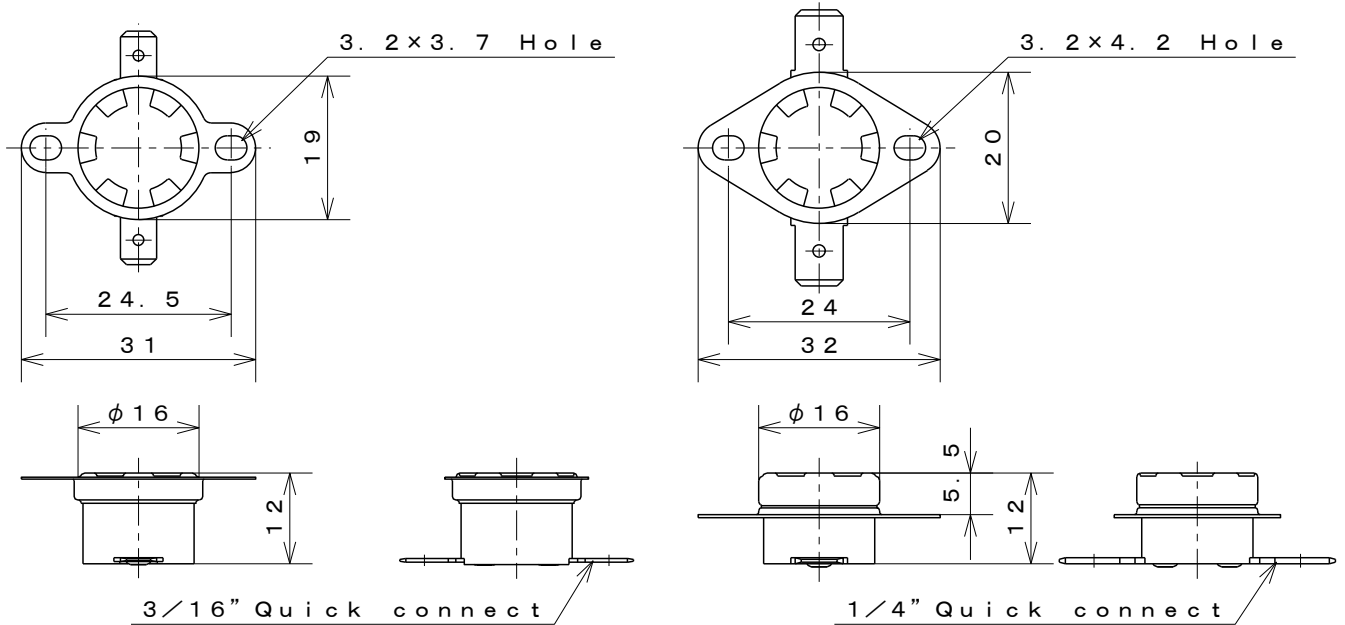


Single Operation Device
Very High Temp. Type

Type **51N**



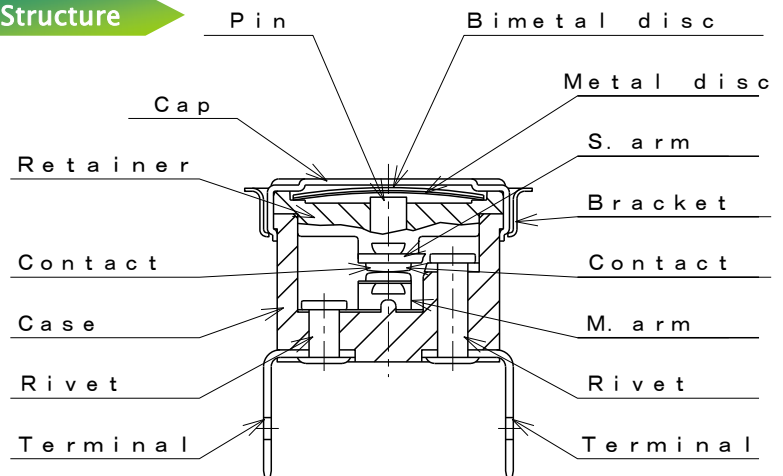
Dimensions



Materials of parts

Part	Material
Cap	Aluminum
	Copper
	Stainless steel
Case	Ceramic
M.arm	Beryllium Copper alloy
Terminals	Brass, Steel
Bracket	Stainless steel
Contacts	Silver-Nickel alloy

Structure



Specification

Item	Specification
1. Basic features	SPST Single Operation Device
2. Operation	A : Contacts open on temperature rise
3. Electrical rating	AC250V/16A
4. Calibration method	Hot & cold air circulation system
5. Temperature rating	Operating temperature Max. 270°C No Resetting
6. Insulation resistance	Not less than 1,000MΩ/DC500V
7. Dielectric strength	Not less than AC1,500V/1min. or AC1,800V/1sec.

Standard

UL 60730-1A, -2-9 File No.E201152 C-UR(CAN/CSA-E730-1, -2-9)
DIN EN 60730-1, -2-9 VDE File No.40022774

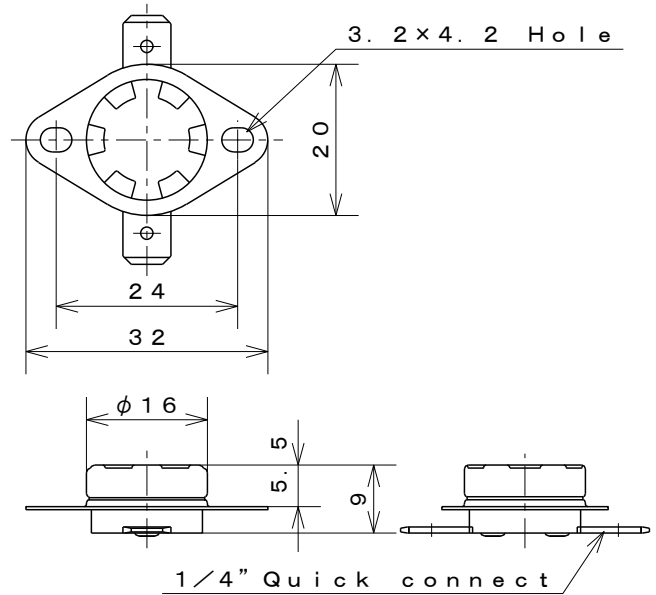
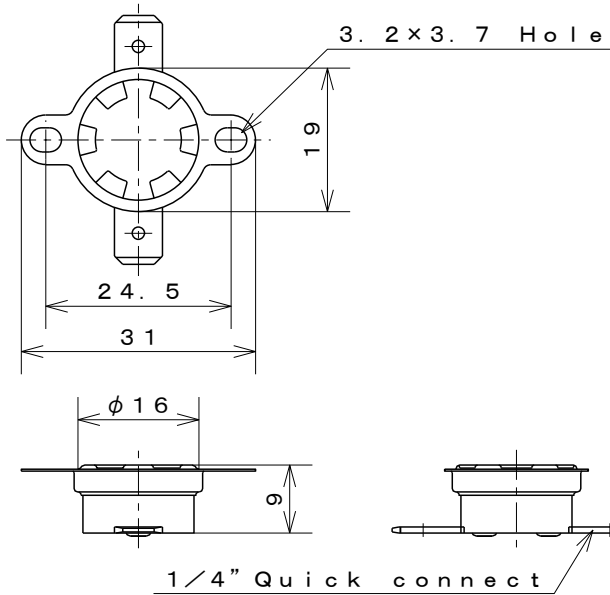




Single Operation Device
Low Profile

Type **80N**

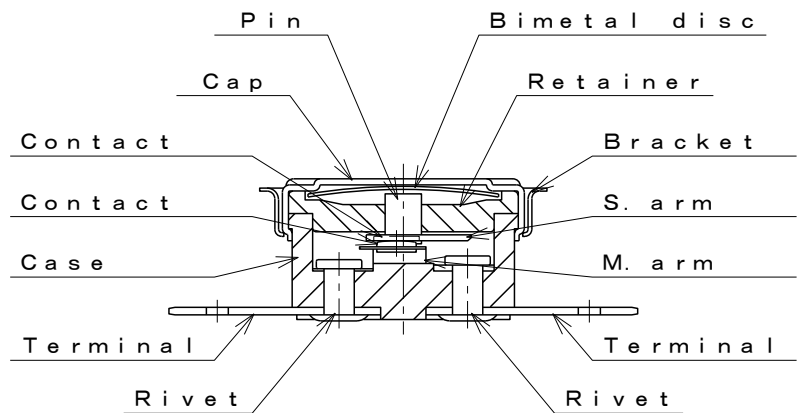
Dimensions



Materials of parts

Part	Material
Cap	Aluminum
	Copper
	Stainless steel
Case	Ceramic
M.arm	Beryllium Copper alloy
Terminals	Brass, Steel
Bracket	Stainless steel
Contacts	Silver-Nickel alloy

Structure



Specification

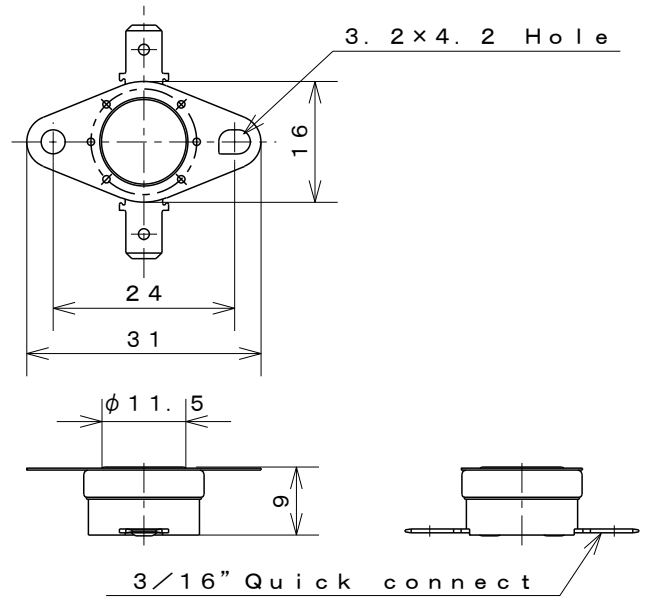
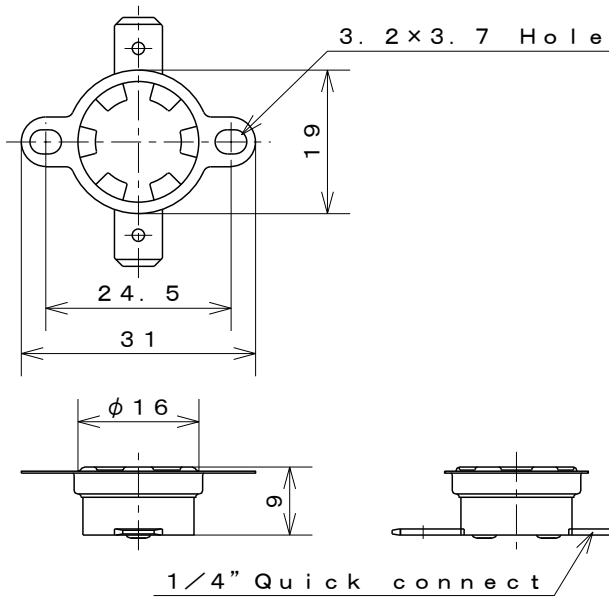
★Compliance with RoHS Directives

Item	Specification
1. Basic features	SPST Single Operation Device
2. Operation	A : Contacts open on temperature rise
3. Electrical rating	AC250V/16A
4. Calibration method	Hot & cold air circulation system
5. Temperature rating	Operating temperature Max. 200°C Resetting Temp. less than -35°C
6. Insulation resistance	Not less than 1,000MΩ/DC500V
7. Dielectric strength	Not less than AC1,500V/1min. or AC1,800V/1sec.

Standard

UL 873	UL File	No. E43273
CSA CAN/CSA-E730-1, -2-9	CSA Report	No. LR67165
DIN EN 60730-1, -2-9	VDE Licence	No. 40022774

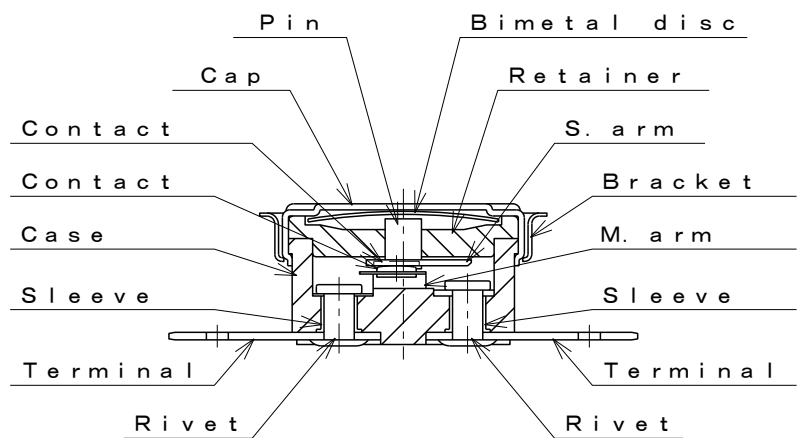
Dimensions



Materials of parts

Part	Material
Cap	Aluminum
	Copper
	Stainless steel
Case	Phenoli resin
M.arm	Beryllium Copper alloy
Terminals	Brass
Bracket	Stainless steel
Contacts	Silver-Nickel alloy

Structure



Specification

★Compliance with RoHS Directives

Item	Specification
1. Basic features	SPST Single Operation Device
2. Operation	A : Contacts open on temperature rise
3. Electrical rating	AC250V/10A
4. Calibration method	Hot & cold air circulation system
5. Temperature rating	Operating temperature Max. 150°C Resetting Temp. less than -35°C
6. Insulation resistance	Not less than 1,000MΩ/DC500V
7. Dielectric strength	Not less than AC1,500V/1min. or AC1,800V/1sec.

Standard

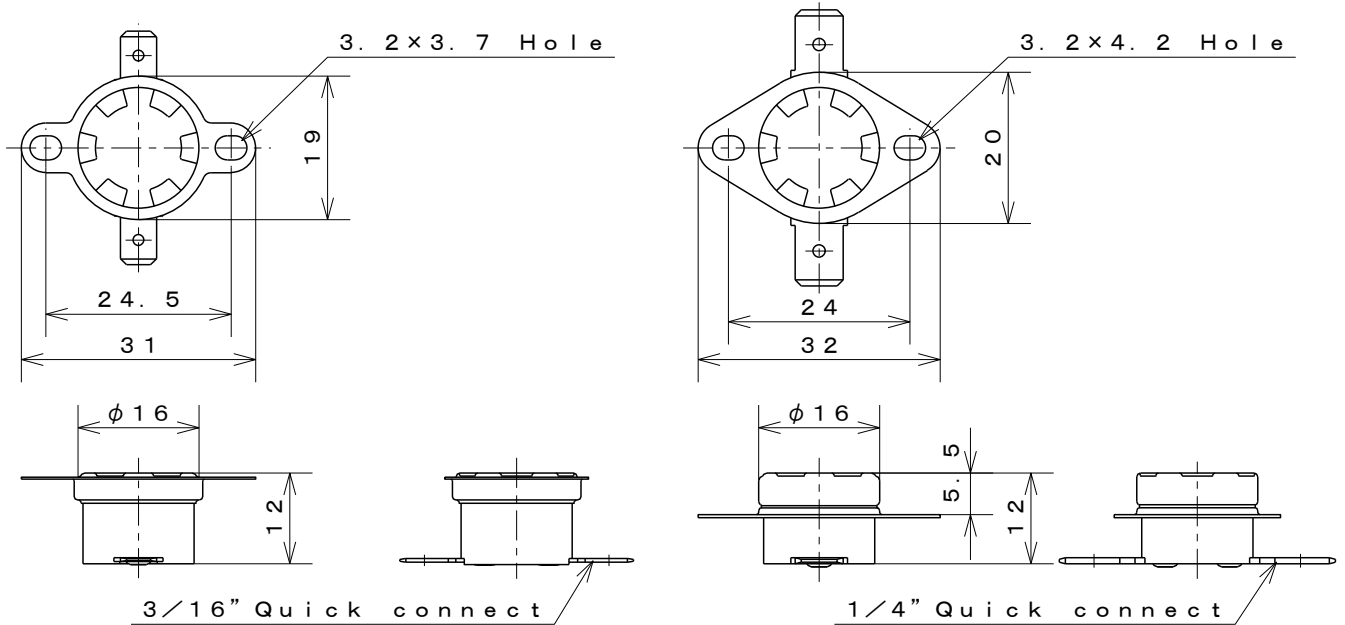
UL 60730-1A, -2-9 File No.E201152 C-UR(CAN/CSA-E730-1, -2-9)
DIN EN 60730-1, -2-9 VDE File No.40022774



Single Operation Device
High Temp. Type

Type **82N**

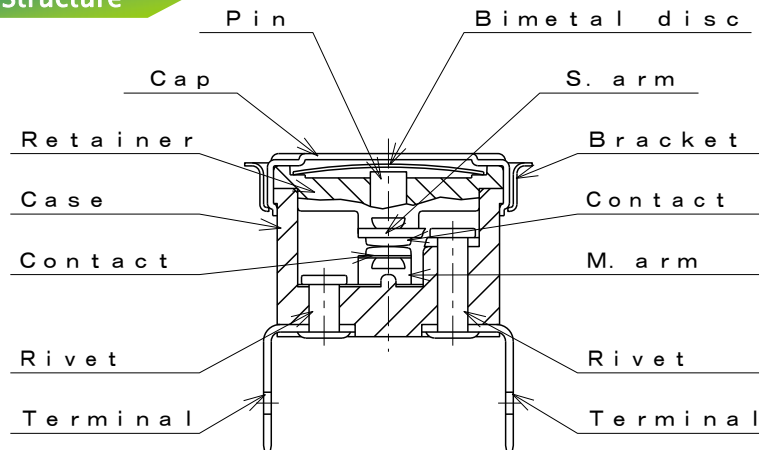
Dimensions



Materials of parts

Part	Material
Cap	Aluminum
	Copper
	Stainless steel
Case	Ceramic
M.arm	Beryllium Copper alloy
Terminals	Brass, Steel
Bracket	Stainless steel
Contacts	Silver-Nickel alloy

Structure



Specification

Item	Specification
1. Basic features	SPST Single Operation Device
2. Operation	A : Contacts open on temperature rise
3. Electrical rating	AC250V/16A
4. Calibration method	Hot & cold air circulation system
5. Temperature rating	Operating temperature Max. 270°C Resetting Temp. less than -35°C
6. Insulation resistance	Not less than 1,000MΩ/DC500V
7. Dielectric strength	Not less than AC1,500V/1 min. or AC1,800V/1 sec.

Standard

UL 60730-1A, -2-9 File No.E201152 C-UR(CAN/CSA-E730-1, -2-9)
DIN EN 60730-1, -2-9 VDE File No.40022774

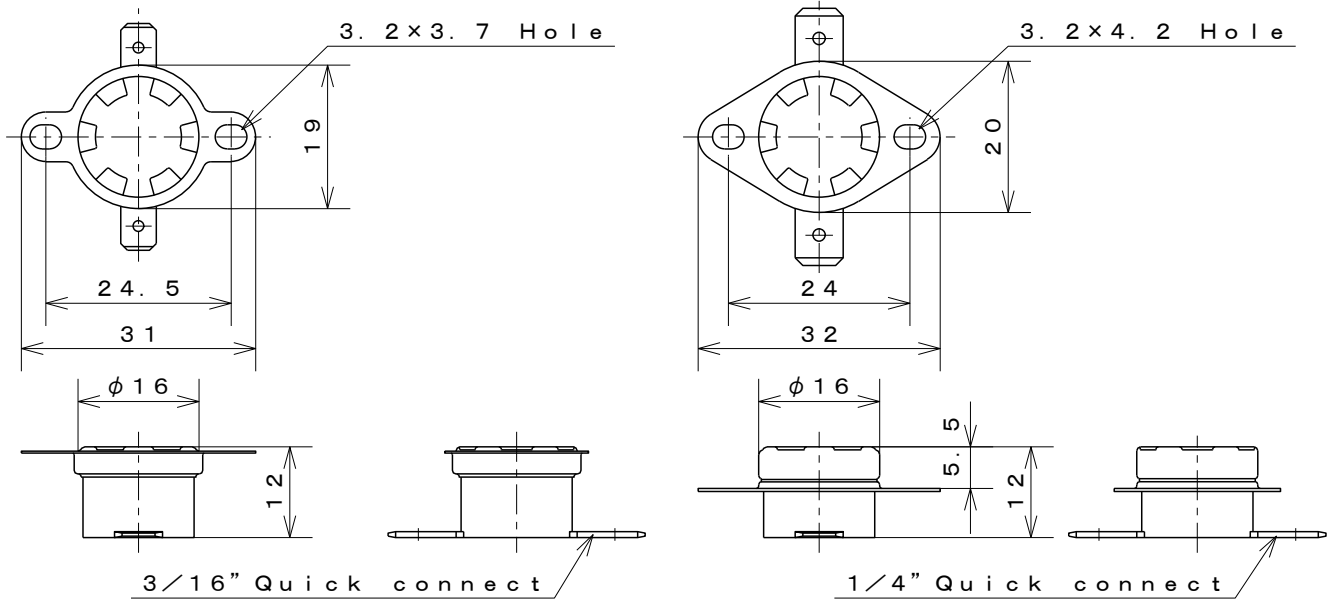




Single Operation Device

Type 83EN

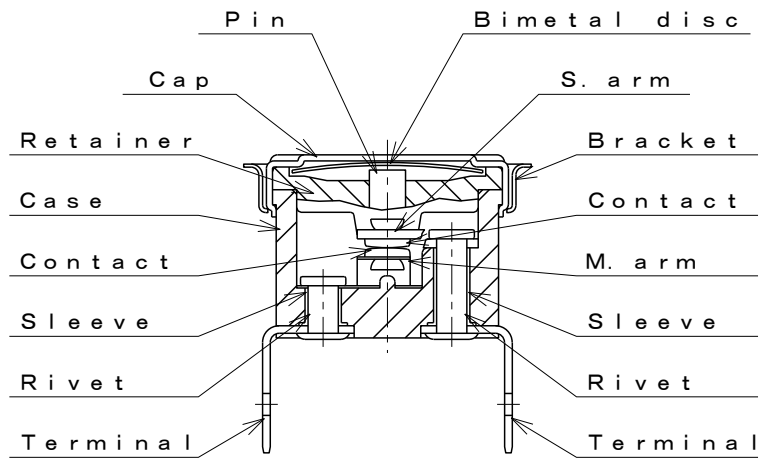
Dimensions



Materials of parts

Part	Material
Cap	Aluminum
	Copper
	Stainless steel
Case	Phenolic resin
M.arm	Beryllium Copper alloy
Terminals	Brass
Bracket	Stainless steel
Contacts	Silver-Nickel alloy

Structure



Specification

Item	Specification
1. Basic features	SPST Single Operation Device
2. Operation	A : Contacts open on temperature rise
3. Electrical rating	AC250V/16A
4. Calibration method	Hot & cold air circulation system
5. Temperature rating	Operating temperature Max. 150°C Resetting Temp. less than -35°C
6. Insulation resistance	Not less than 1,000MΩ/DC500V
7. Dielectric strength	Not less than AC1,500V/1min. or AC1,800V/1sec.

Standard

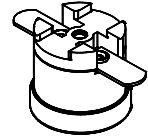
UL 60730-1A, -2-9 File No.E201152 C-UR(CAN/CSA-E730-1, -2-9)
 DIN EN 60730-1, -2-9 VDE File No.40022774



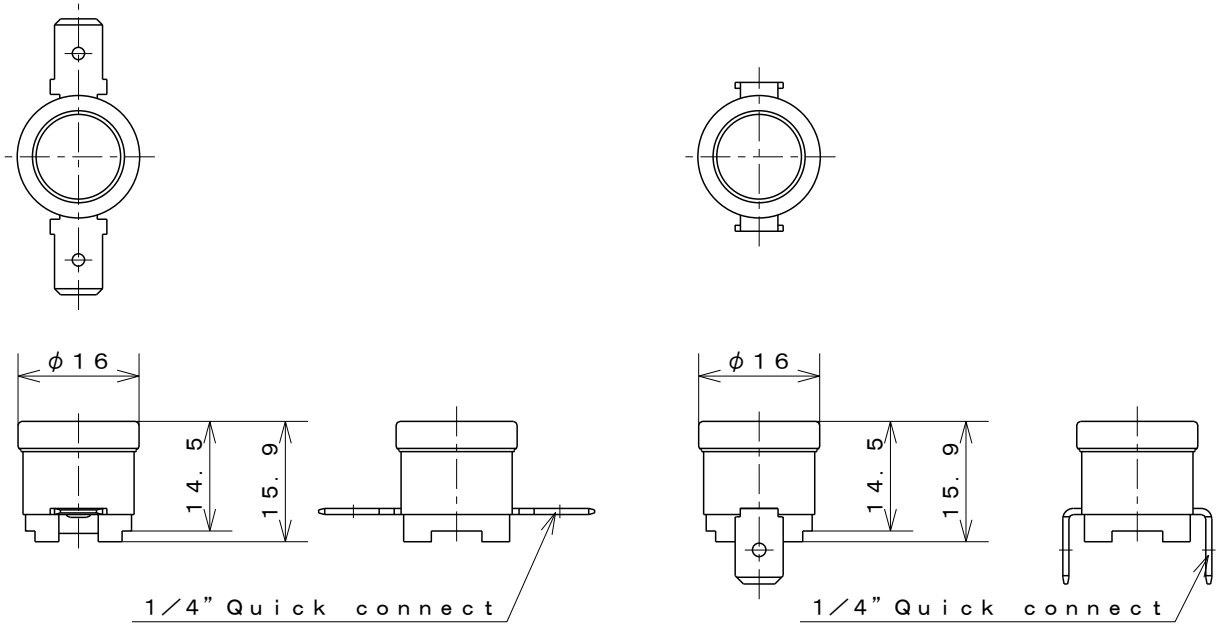


Single Operation Device
Very High Temp. Type

Type **87N**



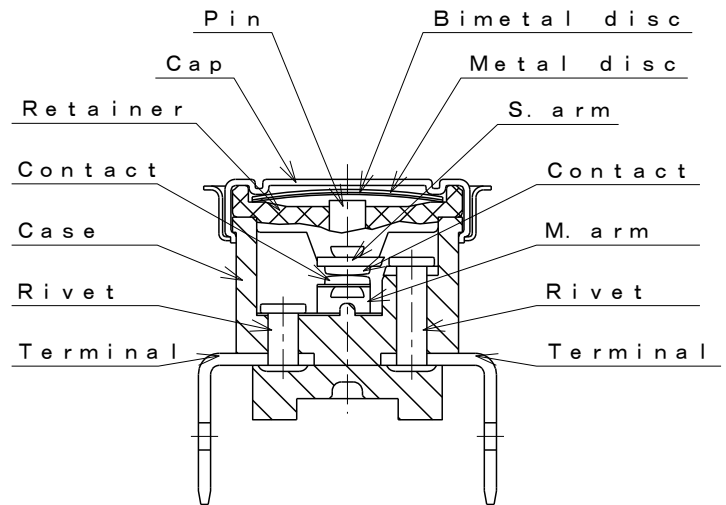
Dimensions



Materials of parts

Part	Material
Cap	Aluminum
	Copper
	Stainless steel
Case	Ceramic
M.arm	Beryllium alloy
Terminals	Brass, Steel
Bracket	Stainless steel
Contacts	Silver-Nickel alloy

Structure



Specification

Item	Specification
1. Basic features	SPST Single Operation Device
2. Operation	A : Contacts open on temperature rise
3. Electrical rating	AC250V/16A
4. Calibration method	Hot & cold air circulation system
5. Temperature rating	Operating temperature Max. 270°C Non Resetting
6. Insulation resistance	Not less than 1,000MΩ/DC500V
7. Dielectric strength	Not less than AC1,500V/1min. or AC1,800V/1sec.

Standard

UL 60730-1A, -2-9 File No.E201152 C-UR(CAN/CSA-E730-1, -2-9)
DIN EN 60730-1, -2-9 VDE File No.40022774





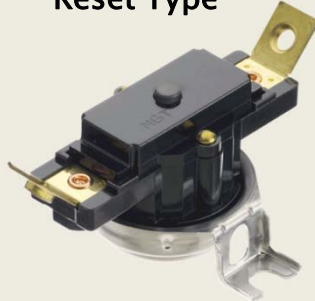
Type 43 Series

● 3/4" Disc Type Thermostat

Automatic Reset Type



Manual Reset Type



Registration number on Electrical Appliances and Material Safety Act J-174 (43M · 43ML)

VDE Approval

Type 43MDL 43DL

UL, CSA Approval

Type 43X 43XL 43S 43SL 43SLS

43SX 43SXL 43M

UL, CSA, VDE Approval

Type 43 43L 43ML

★Compliance with RoHS Directives

Type and Rating

Type of action	Type	Electrical Rating	Approval	Endurance Cycle (UL, CSA)	Endurance Cycle (VDE)
Automatic Reset	43L	250V/25A, 45A 277V/25A	UL, CSA, VDE	25A/100,000 Cyc.	10,000 Cyc.
				45A/ 6,000 Cyc.	
	43XL	480V/13A	UL, CSA	100,000 Cyc.	-
Manual Reset	43ML	250V/25A, 45A	UL, CSA, VDE	25A/ 6,000 Cyc.	45A/ 3,000 Cyc.
SOD	43SL	277V/25A	UL, CSA	1 Cyc.	-
	43SLS	277V/45A			
	43SXL	480V/10A			
Double Action (Auto+Manual)	43MDL	250V/25A, 45A	VDE	-	6,000 Cyc. (Auto) 100 Cyc. (Manual)
Double Action (Auto+SOD)	43DL				6,000 Cyc. (Auto) 1 Cyc. (SOD)

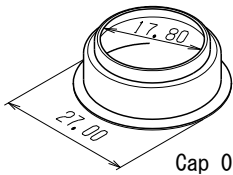
※Requires Screw terminals above 25Amp.

Specification

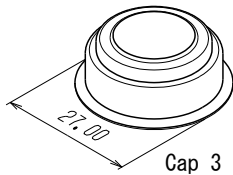
Item	Specification		
	Automatic Reset	Manual Reset , SOD, Double Action	
1. Basic features	SPST、Dust proof type		
2. Operation	L : Contacts open on temperature rise F : Contacts close on temperature rise	L : Contacts open on temperature rise	
3. Temperature setting	0 ~ 100°C	100 ~ 150°C	
4. Tolerance setting (Ex.)	± 3K	± 4K	
5. Differential (Ex.)	10°C	20°C	
6. Temperature test condition	1°C/2min. Measured by LED loaded 20mA or less using Hot air circulation system of NGT manufacture.		
7. Insulation resistance	Not less than DC500V Megger 1,000MΩ		
8. Dielectric strength	Not less than AC2,000V /2sec.(AC250V) AC3,600V / 2sec.(AC480V)		
9. Resistance between terminals	Less than 30mΩ		



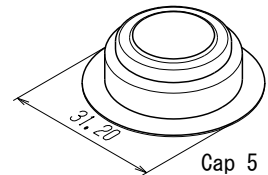
43 Series Caps and Terminals



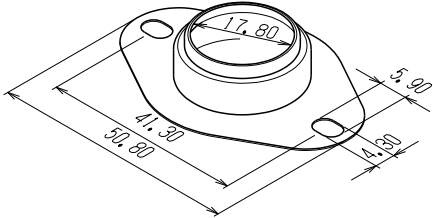
Cap 0



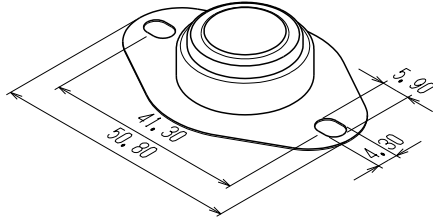
Cap 3



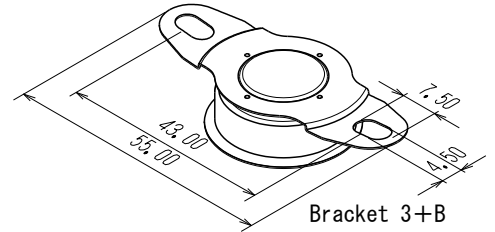
Cap 5



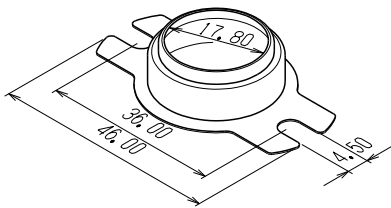
Cap 0+5



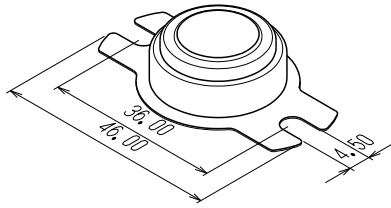
Cap 3+5



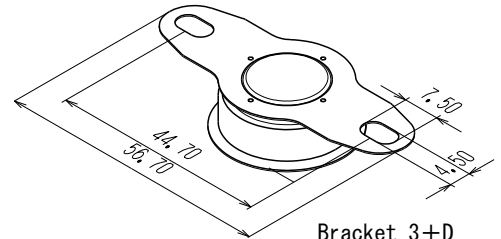
Bracket 3+B



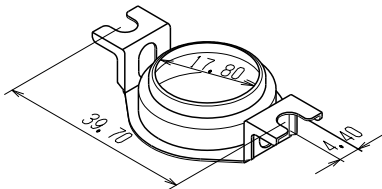
Cap 0+6



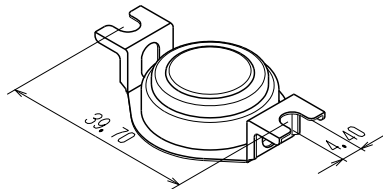
Cap 3+6



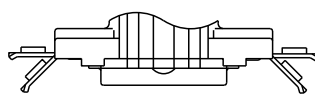
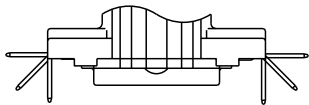
Bracket 3+D



Cap 0+H

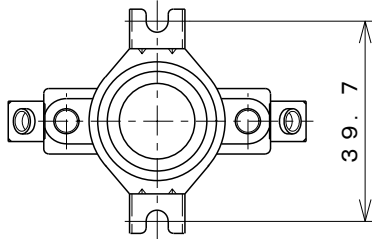


Cap 3+H

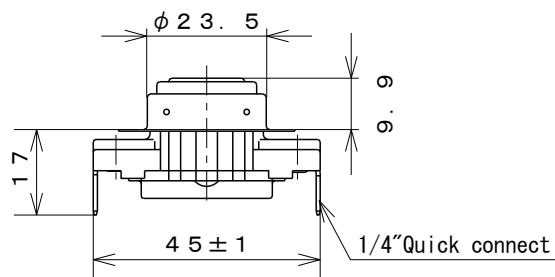
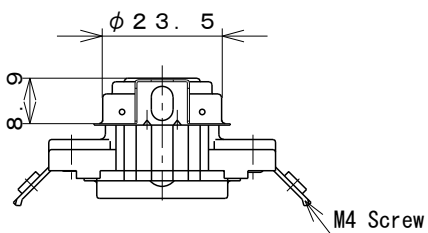
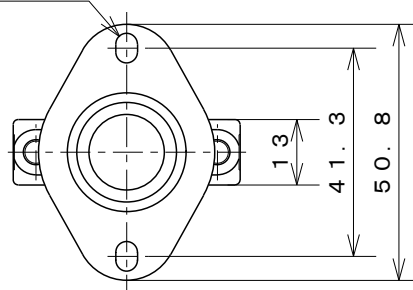


#250terminal (Horizontal· 45°·vertical) M4/UNC screw (Horizontal·45)

Drawing (Ex.)



4.3 × 5.9 Hole



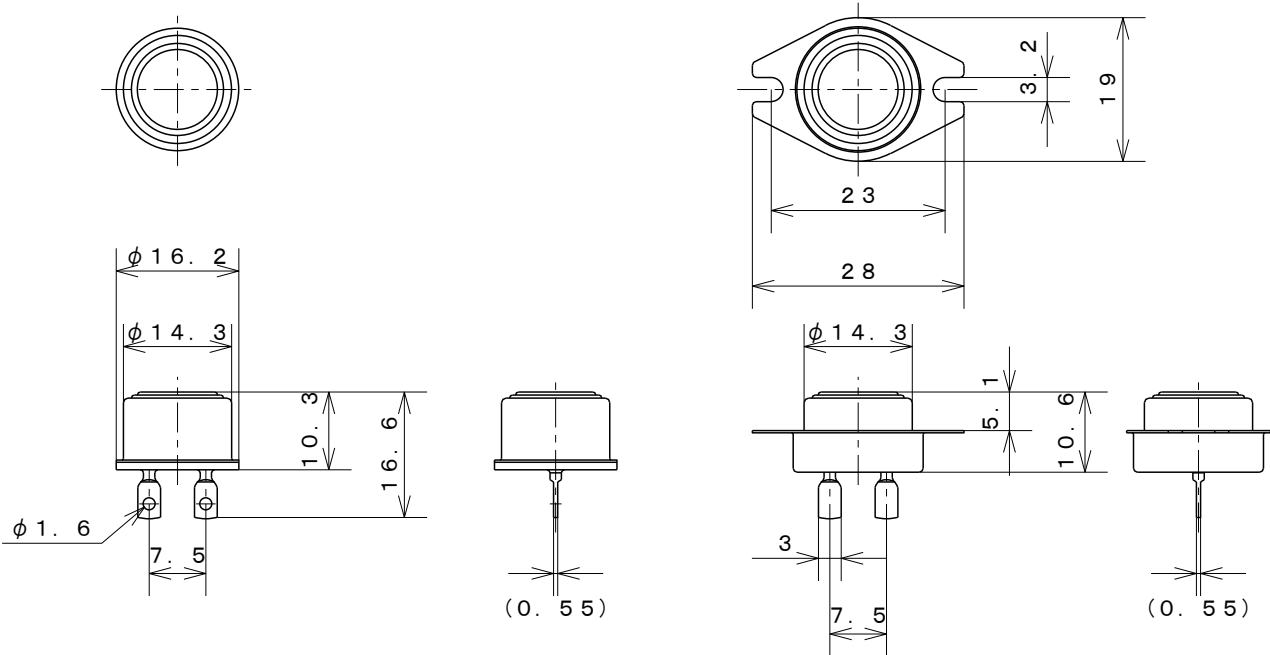
※ In case of inquiry, please let us know temperature, application, actual rating, actual load, and other spec information.



Harmeticc Type Thermostat

Type 63

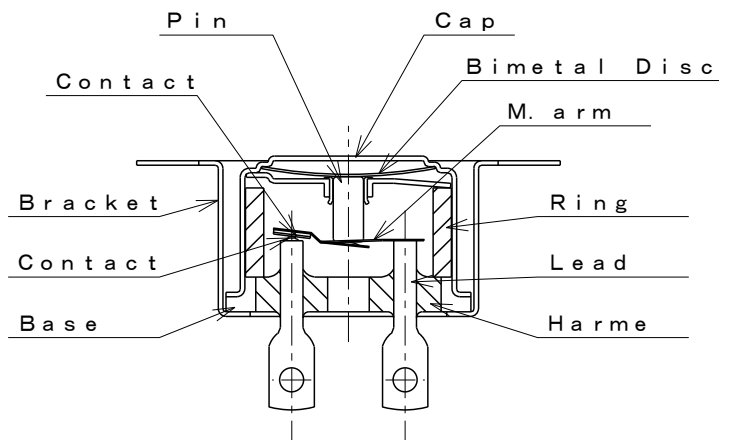
Dimensions



Materials of parts

Part	Material
Cap	Stainless steel
Base	Steel
M.arm	Nickel alloy (63HP) Copper alloy (63RP)
Leads	Steel + Copper alloy
Bracket	Stainless steel

Structure



Specification

Item	Specification
1. Basic features	SPST Automatic reset
2. Operation	A : Contacts open on temperature rise B : Contacts close on temperature rise
3. Electrical rating	DC12V/500mA DC42V/200mA AC250V/200mA
4. Calibration method	Hot & cold air circulation system
5. Temperature rating	Operating temperature Max. 200°C
6. Insulation resistance	Not less than 1,000MΩ/DC500V
7. Dielectric strength	Not less than AC1,500V/1 min. or AC1,800V/1 sec.
8. Resistance between Leads	Not less than 30mΩ (63HP) · 10mΩ (63RP)

Standard

CMJ (JET) J-151

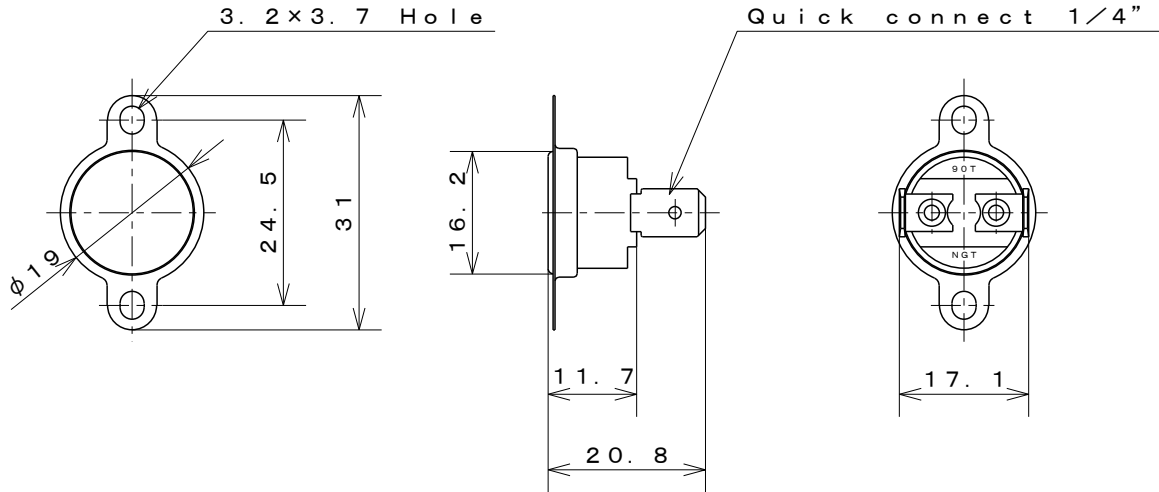




1/2" Thermistor Sensor

Type 90T

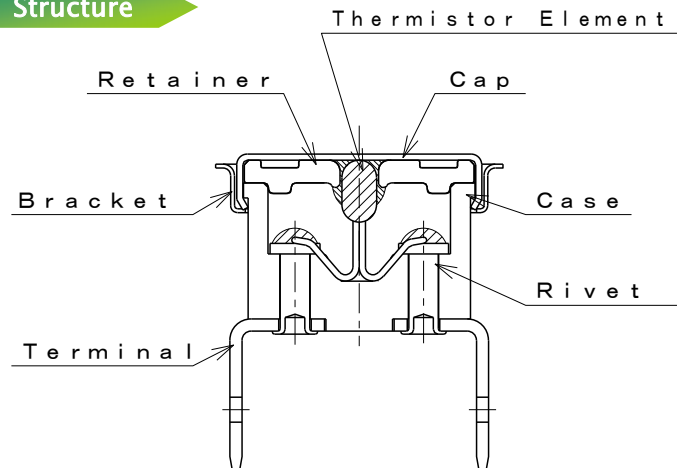
Dimensions



Materials of parts

Part	Material	Type
Sensing-cap	Aluminum	Surface-mounting
Bracket	Stainless steel	
Retainer	Aluminum	
Element	—	Hermetic type
Case	Polyester	
Rivet	Cu, Ni Alloy	
Terminals	Plated Brass	Quick-connect 1/4" 3/16"

Structure



Specification

Item	Specification
Temperature range	0~150°C (We can manage to be able to use it below 0°C if you like to)
Time-constant (63.2%)	With 20 seconds (surface of the heated plate)
Insulating resistance	Over 1,000M Ω by 500V DC500V megger
Dielectric strength	AC1,200V \times one second (leakage current 0.5mA)

No.	PB-36	PB-41E	PT-43C	PT-51F
Nominal-resistance (at 25)	2.186 k Ω	5.369 k Ω	0.68 k Ω (at 100)	49.12 k Ω
B-value (25-85°C)	3420K \pm 68K	3480K \pm 69K	3950K \pm 2% (0-100°C)	3992K \pm 79K

Above are the standard specifications. Please contact us for further information.

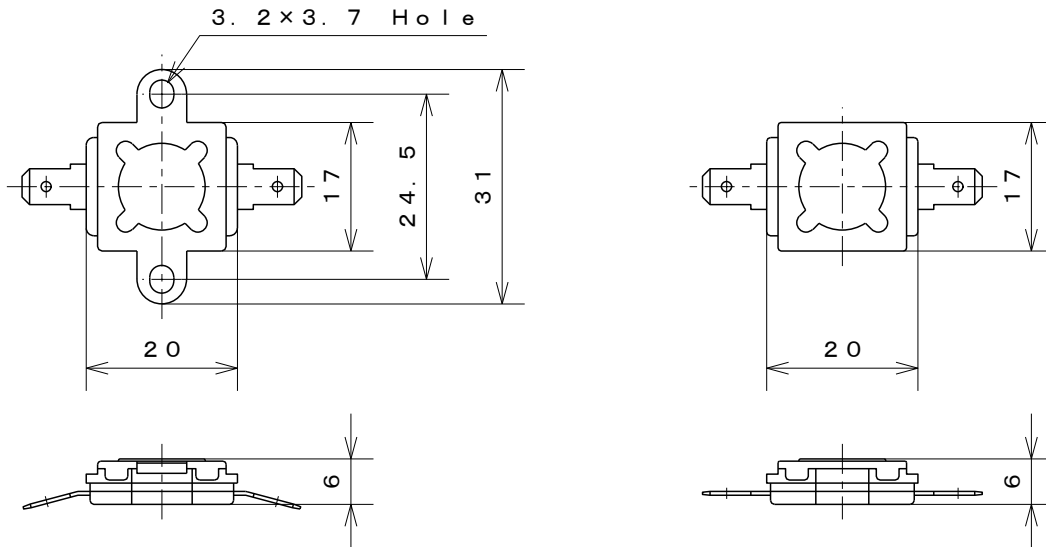




1/2" Disc Type Thermostat
Thin Type

Type **BT1**

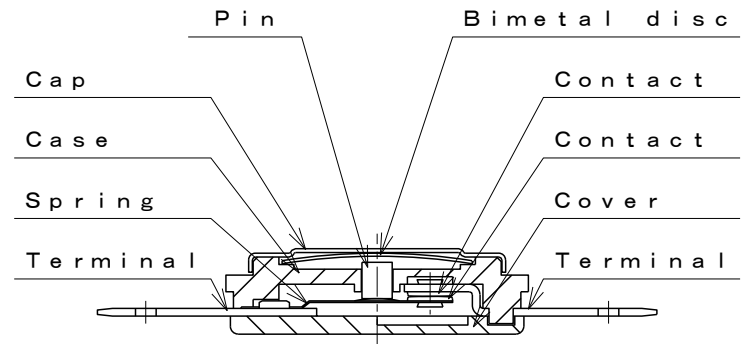
Dimensions



Materials of parts

Part	Material
Cap	Copper
Case, Cover	Phenolic resin
Spring	Beryllium Copper alloy
Contacts	Silver (BT1C) Silver-Nickel alloy (BT1,BT1N)

Structure



Specification

★Compliance with RoHS Directives

Item	Specification
1. Basic features	SPST Automatic reset
2. Operation	A : Contacts open on temperature rise B : Contacts close on temperature rise
3. Electrical rating	BT1 : AC250V/6A BT1C : AC250V/3A BT1N : AC250V/10A
4. Calibration method	Hot & cold air circulation system
5. Temperature rating	Operating temperature Max. 120°C
6. Insulation resistance	Not less than 1,000MΩ/DC500V
7. Dielectric strength	Not less than AC1,500V/1min. or AC1,800V/1sec.

Standard

MITI (JET) BT1 : J-50
BT1N : J-51

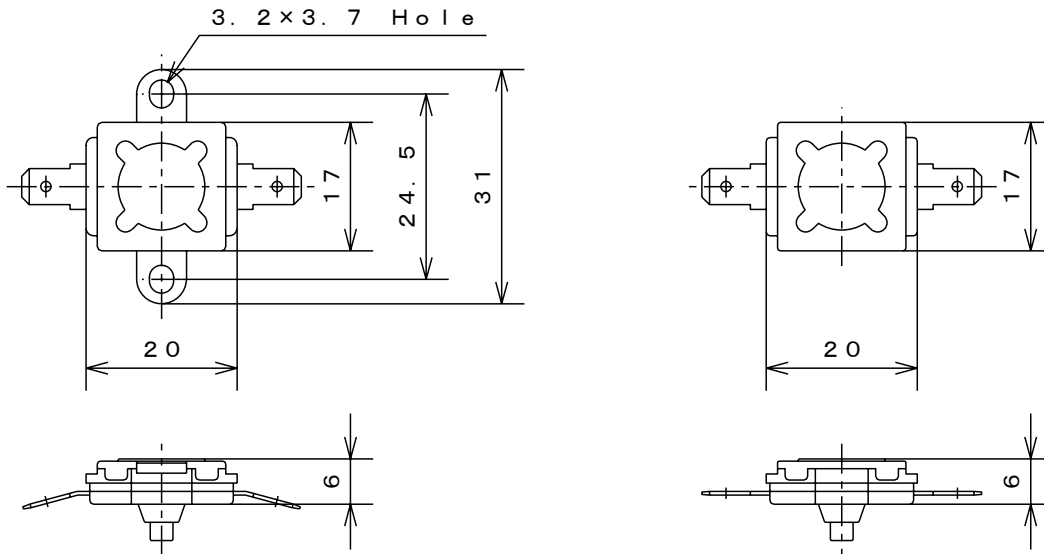




1/2" Disc Type Thermostat
Thin Type Manual Reset

Type **BT2**

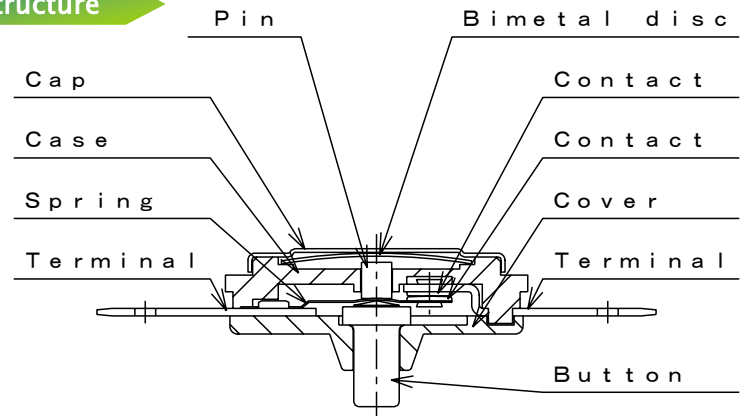
Dimensions



Materials of parts

Part	Material
Cap	Copper
Case, Cover	Phenolic resin
Spring	Beryllium Copper alloy
Contacts	Silver (BT2C) Silver-Nickel alloy (BT2,BT2N)

Structure



Specification

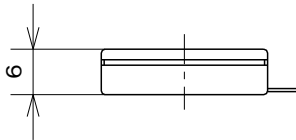
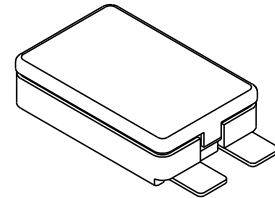
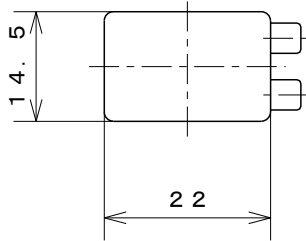
Item	Specification
1. Basic features	SPST Manual reset
2. Operation	A : Contacts open on temperature rise Not automatic reset
3. Electrical rating	BT2 : AC125V/6A BT2C : AC125V/6A BT2N : AC125V/10A
4. Calibration method	Hot & cold air circulation system
5. Temperature rating	Operating temperature Max. 120°C
6. Insulation resistance	Not less than 1,000MΩ/DC500V
7. Dielectric strength	Not less than AC1,500V/1min. or AC1,800V/1sec.



Thin Box Type

Type **MH3**

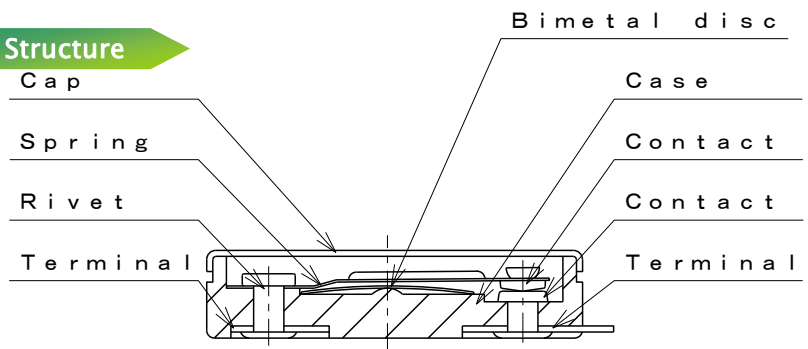
Dimensions



Materials of parts

Part	Material
Cap	Aluminum
Case	Phenolic resin
Spring	Beryllium Copper alloy
Rivet	Copper
Contacts	Silver
Terminal	Brass

Structure



Specification

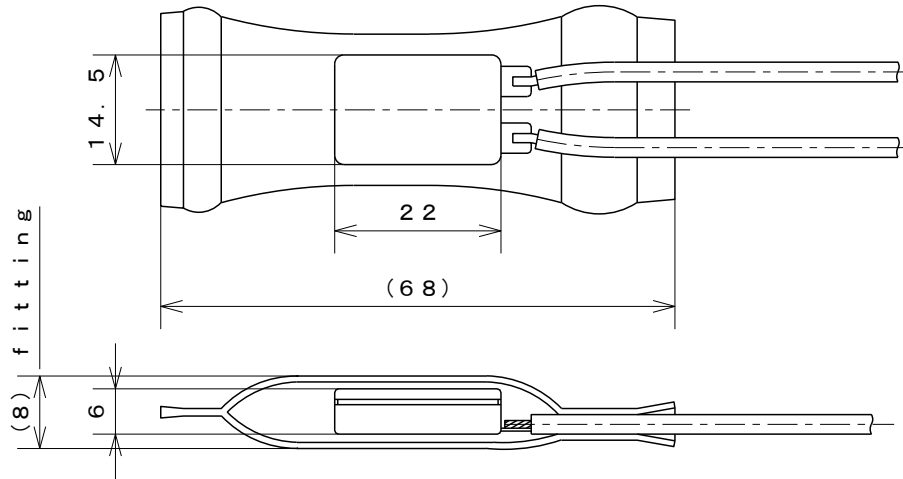
Item	Specification
1. Basic features	SPST Automatic reset
2. Operation	L : Contacts open on temperature rise
3. Electrical rating	AC125V/6A AC250V/3A (Separately, the insulation protection is necessary) DC12V/5A
4. Calibration method	Hot & cold air circulation system
5. Temperature rating	Operating temperature Max. 70°C
6. Insulation resistance	Not less than 1,000MΩ/DC500V



Sealed by PVC tube
Water-proof Type

Type MH3U

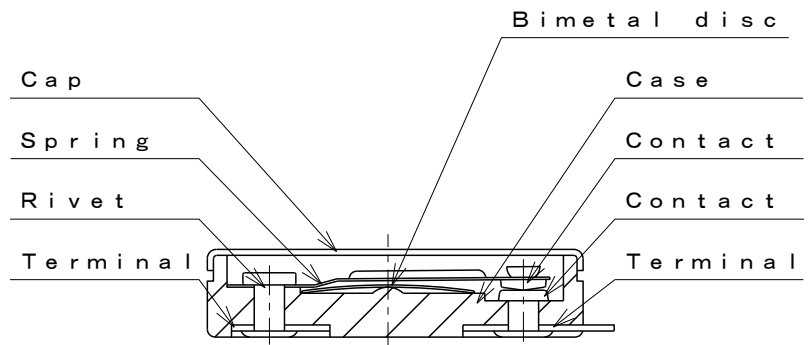
Dimensions



Materials of parts

Part	Material
Cap	Aluminum
Case	Phenolic resin
Spring	Beryllium Copper alloy
Contacts	Silver
Rivets	Copper
Terminals	Copper alloy
Leads	PVC AWG No.20

Structure



Specification

★Compliance with RoHS Directives

Item	Specification
1. Basic features	SPST Automatic reset
2. Operation	L : Contacts open on temperature rise
3. Electrical rating	AC125V/6A AC250V/3A
4. Calibration method	Hot & cold air circulation system
5. Temperature rating	Operating temperature Max. 70°C (CSA Max.80°C)
6. Insulation resistance	Not less than 1,000MΩ/DC500V
7. Dielectric strength	Not less than AC1,500V/1min. or AC1,800V/1sec.

Standard

UL 873	UL File	No. E43273	AC125V/3A	AC250V/2A
CSA C22.2 No. 24	CSA Report	No. LR67165	AC125V/3A	AC250V/2A

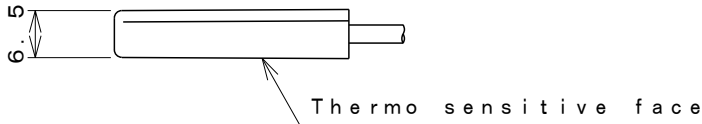
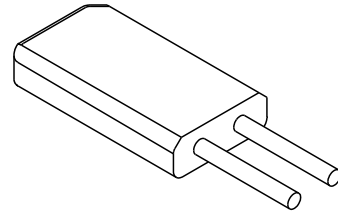
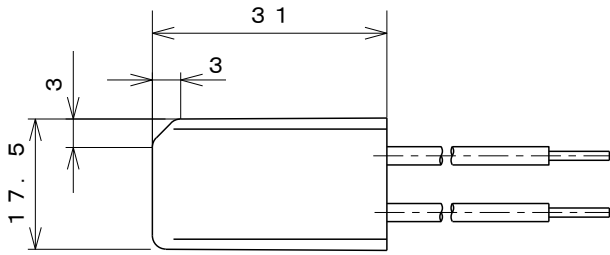




Thin Box
Water Proof Type

Type **MH4**

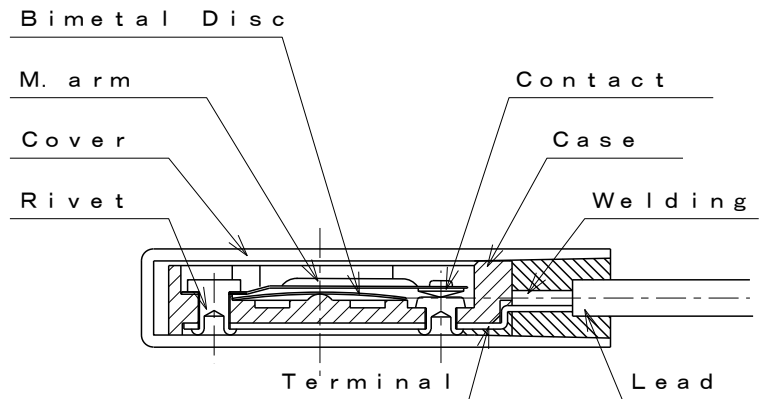
Dimensions



Materials of parts

Part	Material
Cover	PBT
Case	Phenolic resin
Spring	Beryllium Copper alloy
Contacts	Silver / Silver-Nickel alloy
Rivet	Copper
Terminal	Brass
Leads	PVC

Structure



Specification

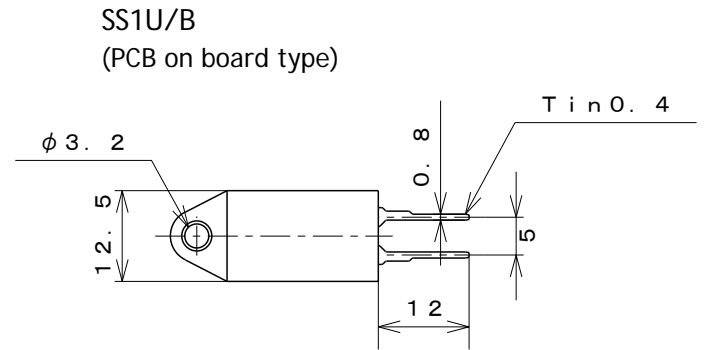
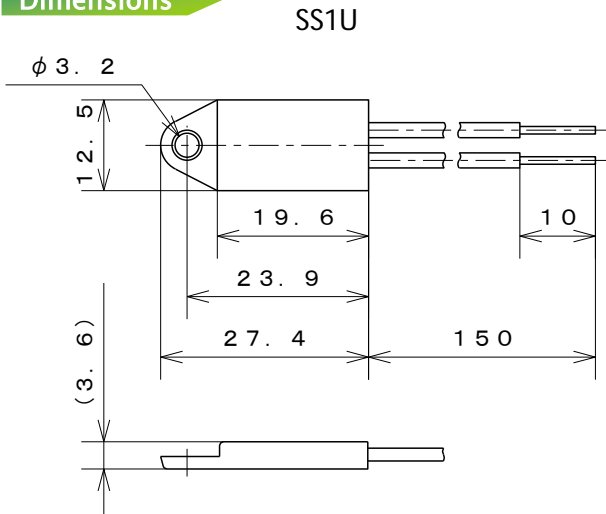
Item	Specification
1. Basic features	SPST Automatic reset
2. Operation	L : Contacts open on temperature rise
3. Electrical rating	AC125V/8A AC250V/4A , DC13.5V/7A
4. Calibration method	Hot & cold air circulation system
5. Temperature rating	Operating temperature Max. 70°C
6. Insulation resistance	Not less than 1,000MΩ/DC500V



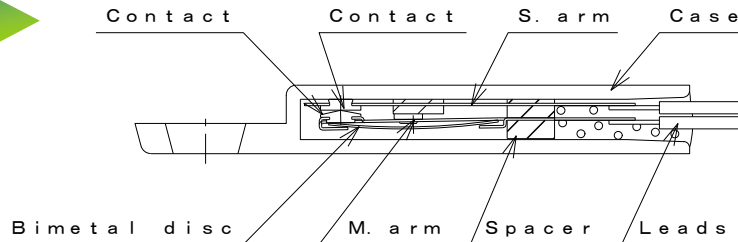
Small & Thin
Drip-proof Type Automatic Reset
PCB on board Type

Type **SS1**

Dimensions



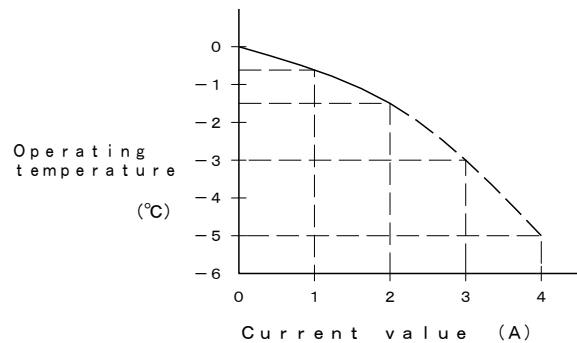
Structure



Materials of parts

Part	Material
Case	Polybutylene terephthalate
M. arm	Beryllium copper
Contacts	Silver-Nickel alloy
Leads	PVC 0.3mm ²
Terminals	Tin plated brass

Drift of operating temperature by current value when contact close



Specification

Item	Specification
1. Basic features	SPST Automatic reset
2. Operation	L : Contacts open on temperature rise F : Contacts close on temperature rise
3. Electrical rating	AC250V/3A
4. Calibration method	Hot & cold air circulation system
5. Temperature rating	Operating temperature Max. 105°C Differential: 8~15°C
6. Insulation resistance	1,000MΩ or more / DC500V
7. Dielectric strength	AC1,500V/1min. or AC1,800V/1sec.

Standard

UL 60730-1A, -2-9 File No. E201152 C-UR(CAN/CSA-E60730-1, -2-9)

