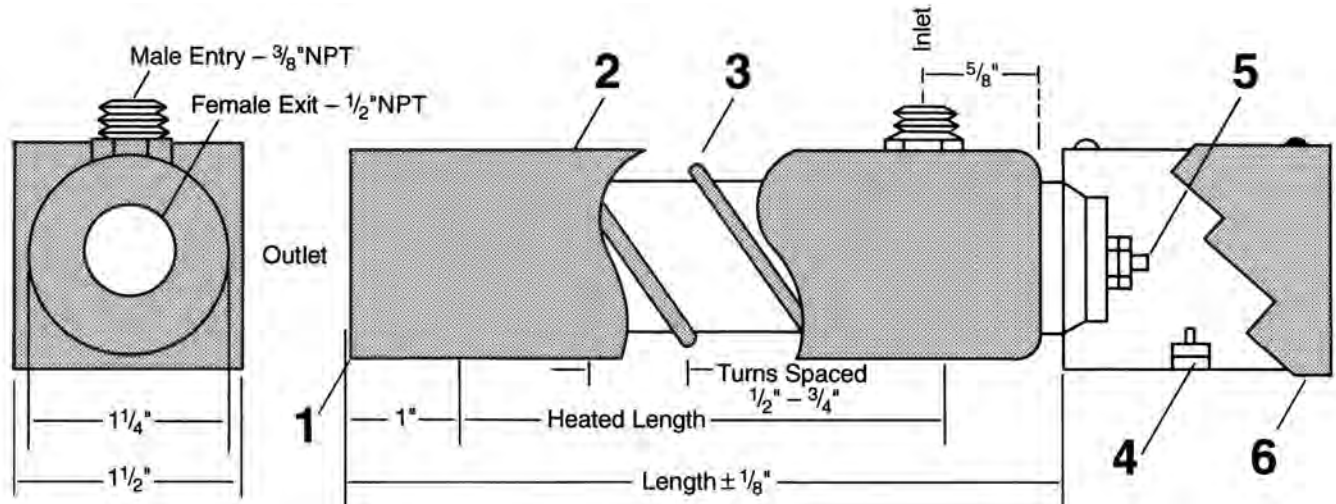




Air Process Heaters

Pure Flow



AIR

Features

- The Pure Flow Air Heater is designed for applications where clean air is necessary, as in laboratories and environmental testing areas.
- This heater is unique in supplying non-contaminated heated air. The stream of air is heated by passing over an enclosed heated surface rather than directly over exposed resistance elements. This method assures that no foreign matter will enter the stream of flow.
- Constructed of 316 Stainless Steel.
- It has an operating range of up to 15 CFM with temperatures to 800°F (430°C).
- For temperature control, see page 54 and 131-134.
- Pressure rating: 100 psig.
- Made in U.S.A.

Construction

- 1 Heliarc weld.
- 2 Stainless steel sheath.
- 3 Air turbulator wire.
- 4 Ground post.
- 5 Post terminals.
- 6 Connection box. 2 3/4" x 1 1/2" x 1 1/2". NEMA1.

Specifications

Maximum Amperage: 20

Cross Sectional Flow Area: .152 sq. in.

Maximum CFM: 15

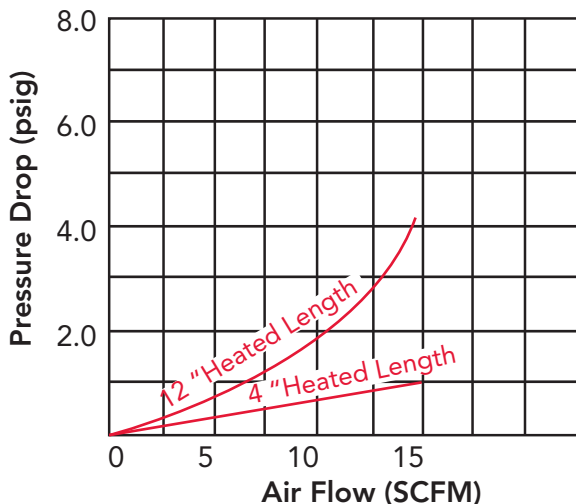
CFM	Max. Watts/linear in of heated length
1	75
2	100
4	150
6	200
8	200
10	250
15	275

Pressure rating: 100 psig.

▼ Manufactured Items ▼

Sizes

Length	Heated Length	Catalog No.
6"	4"	PFO-6
8"	6"	PFO-8
10"	8"	PFO-10
12"	10"	PFO-12
18"	16"	PFO-18
24"	22"	PFO-24





Air Process Heaters

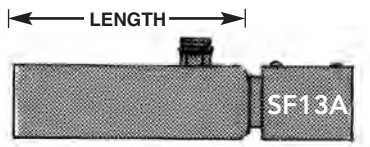
Pure Flow

▼ IN STOCK ITEMS ▼

Pure Flow Air Heaters

Supplied with: Type SF3S terminals Type SF13A enclosure

Length	Cat. No.	Dia.	Wattage	Voltage	Watts/		Terminals
					Linear Inch	Weight	
6"	PFO-6	1¼"	100	120	23	1.00	S&N w/enclosure
6"	PFO-6	1¼"	400	120	91	1.00	S&N w/enclosure
6"	PFO-6	1¼"	400	240	91	1.00	S&N w/enclosure
8"	PFO-8	1¼"	150	120	23	1.18	S&N w/enclosure
8"	PFO-8	1¼"	600	120	94	1.18	S&N w/enclosure
8"	PFO-8	1¼"	600	240	94	1.18	S&N w/enclosure
10"	PFO-10	1¼"	250	120	30	1.37	S&N w/enclosure
10"	PFO-10	1¼"	1000	120	120	1.37	S&N w/enclosure
10"	PFO-10	1¼"	1000	240	120	1.37	S&N w/enclosure
12"	PFO-12	1¼"	300	120	29	1.55	S&N w/enclosure
12"	PFO-12	1¼"	1200	120	115	1.55	S&N w/enclosure
12"	PFO-12	1¼"	1200	240	115	1.55	S&N w/enclosure



AIR