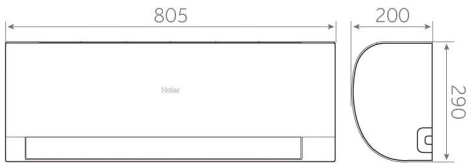




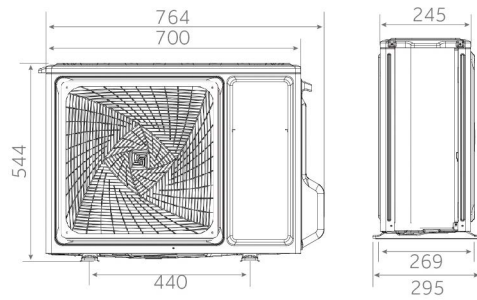
AS25 - AS35



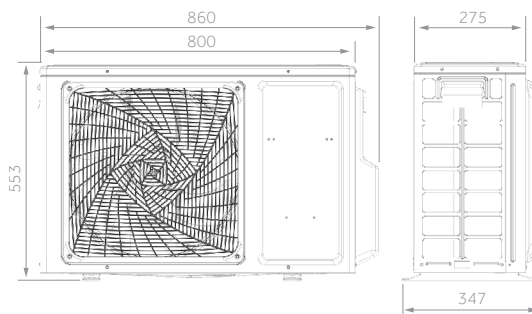
AS50 - AS68



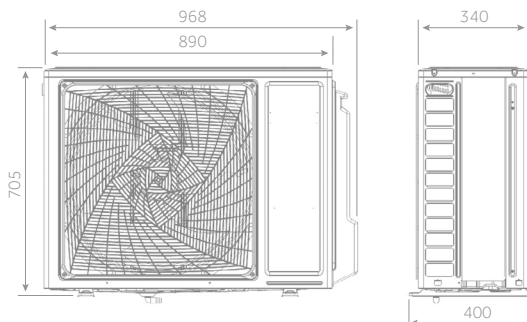
1U25 - 1U35



1U50



1U68



2,5 kW

3,5 kW



5,0 kW

6,8 kW

PEARL

Haier

MONOSPLIT

2,5 kW

3,5 kW

5,0 kW

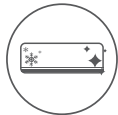
6,8 kW



Standard YR-HE



Coanda Plus



Self Clean



56°C Steri-Clean



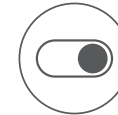
UVC Sterilisation



Wi-Fi control integrated



Easy Installation



On-Off Card



Silence

- Coanda Plus Airflow
- Self-Clean
- 56°C Steri-Clean
- UVC Sterilisation
- Wi-Fi control integrated
- Easy installation
- On - Off Card
- Low noise level



| INDOOR UNIT | Model | | AS25PBAHRA | AS35PBAHRA | AS50PDAHRA | AS68PDAHRA |
|---|---------------|---------------------|-------------------|-------------------|-------------------|-------------------|
| OUTDOOR UNIT | Model | | 1U25YEGFRA-1 | 1U35YEGFRA-2 | 1U50MEGFRA | 1U68WEGFRA |
| Performance data | | | | | | |
| Output power - COOLING | nom (min-max) | kW | 2,60 (0,80-3,00) | 3,50 (0,80-3,60) | 5,00 (1,30-5,80) | 6,80 (2,20-8,50) |
| Output power - HEATING | nom (min-max) | kW | 2,80 (0,80-3,20) | 3,50 (0,80-4,20) | 5,20 (1,40-6,00) | 6,80 (2,40-9,50) |
| Absorbed power - COOLING | nom (min-max) | kW | 0,804 (0,30-1,20) | 1,206 (0,30-1,60) | 1,547 (0,40-2,00) | 2,105 (0,70-2,90) |
| Absorbed power - HEATING | nom (min-max) | kW | 0,754 (0,30-1,40) | 0,943 (0,30-1,60) | 1,400 (0,52-2,50) | 1,831 (0,60-2,90) |
| Energy class | EER | W/W | 3,23 | 2,90 | 3,23 | 3,23 |
| | COP | W/W | 3,71 | 3,71 | 3,71 | 3,71 |
| COOLING Pdesign | 35 °C | kW | 2,60 | 3,50 | 5,00 | 6,80 |
| HEATING Pdesign | (-10 °C) | kW | 2,40 | 2,80 | 4,60 | 5,60 |
| Energy class | SEER | | 6,10 (A++) | 6,10 (A++) | 6,10 (A++) | 6,80 (A++) |
| | SCOP | | 4,00 (A+) | 4,00 (A+) | 4,00 (A+) | 4,00 (A+) |
| Annual Energy Consumption - COOLING | | kWh/a | 149 | 201 | 287 | 350 |
| Annual Energy Consumption - HEATING | | kWh/a | 840 | 980 | 1610 | 1960 |
| Indoor Unit | | | | | | |
| Power supply | | Ph/V/Hz | 1/220-240/50 | 1/220-240/50 | 1/220-240/50 | 1/220-240/50 |
| Treated air volume | H | m ³ /h | 550 | 600 | 900 | 1100 |
| Dehumidification | | L/h | 1,0 | 1,3 | 2,0 | 2,8 |
| High sound power - COOLING | | dB | 54 | 56 | 57 | 62 |
| High sound power - HEATING | | dB | 54 | 56 | 57 | 62 |
| Sound pressure - COOLING | | dB(A) | 37/32/28/18 | 37/33/29/19 | 44/40/35/28 | 47/45/37/29 |
| Sound pressure - HEATING | | dB(A) | 37/32/28/18 | 37/33/29/19 | 44/40/35/28 | 47/45/37/29 |
| Net dimensions | WxDxH | mm | 805x200x290 | 805x200x290 | 975x220x320 | 975x220x320 |
| Packaging dimensions | WxDxH | mm | 874x270x363 | 874x270x363 | 1050x301x397 | 1050x301x397 |
| Net/gross weight | | kg | 8,3/10,5 | 8,3/10,5 | 11,6/14,4 | 11,6/14,4 |
| Outdoor Unit | | | | | | |
| Power supply | | Ph/V/Hz | 1/220-240/50 | 1/220-240/50 | 1/220-240/50 | 1/220-240/50 |
| Power cable | | N x mm ² | 3 x 1,0 | 3 x 1,5 | 3 x 2,5 | 3 x 2,5 |
| Interconnection cable | | N x mm ² | 4 x 1,0 | 4 x 1,0 | 4 x 1,0 | 4 x 1,0 |
| Sound power | | dB | 62 | 63 | 65 | 68 |
| Sound pressure | H | dB(A) | 49 | 50 | 53 | 53 |
| Running current cooling/heating | Max | A | 6,2/6,2 | 7,1/7,1 | 11,3/11,3 | 13,0/13,0 |
| Starting current cooling/heating | Max | A | 1,5/1,5 | 1,5/1,5 | 2,0/2,0 | 2,0/2,0 |
| Net dimensions | WxDxH | mm | 700x245x544 | 700x245x544 | 800x275x553 | 890x340x705 |
| Packaging dimensions | WxDxH | mm | 819x320x585 | 819x320x585 | 902x375x607 | 1046x460x780 |
| Net/gross weight | | kg | 22,8/25,3 | 23,5/26,0 | 32,7/36,5 | 44,0/48,0 |
| Compressor type | | | Rotary inverter | Rotary inverter | Rotary inverter | Rotary inverter |
| Installation data | | | | | | |
| Refrigerant | | | R32 | R32 | R32 | R32 |
| Liquid pipe | Ø | mm (inch) | 6,35 (1/4) | 6,35 (1/4) | 6,35 (1/4) | 6,35 (1/4) |
| Gas pipe | Ø | mm (inch) | 9,52 (3/8) | 9,52 (3/8) | 12,70 (1/2) | 12,70 (1/2) |
| Standard pipe length without refrigerant charge | | m | 5 | 5 | 7 | 7 |
| Maximum pipe length | | m | 20 | 20 | 25 | 25 |
| Maximum IU - OU elevation | | m | 10 | 10 | 15 | 15 |
| Refrigerant charge in the factory | | kg | 0,52 | 0,53 | 0,90 | 1,10 |
| Refrigerant charge in the factory | | TCO ₂ eq | 0,35 | 0,36 | 0,61 | 0,74 |
| Additional ref. charge over std length | | g/m | 20 | 20 | 20 | 20 |
| Operating limits - COOLING (in/out) | min-max | °C | 21-35°C/-10-43°C | | | |
| Operating limits - HEATING (in/out) | min-max | °C | 10-27°C/-15-24°C | | | |

The data in this catalogue is purely indicative as the data may vary. Please be advised to check the accuracy of the data with the supplier before purchasing products.